

**25HPA6
Performance™ 16 2-Stage Heat Pump
with Puron® Refrigerant
2 to 5 Nominal Tons**



Turn to the Experts™

Product Data

INDUSTRY LEADING FEATURES / BENEFITS



Performance
SERIES



Carrier's heat pumps with Puron® refrigerant provide a collection of features unmatched by any other family of equipment. The 25HPA6 has been designed utilizing Carrier's Puron refrigerant. The environmentally sound refrigerant allows consumers to make a responsible decision in the protection of the earth's ozone layer.

As an Energy Star® Partner, Carrier Corporation has determined that this product meets the Energy Star® guidelines for energy efficiency. Refer to the combination ratings in the Product Data for system combinations that meet Energy Star® guidelines.

NOTE: Ratings contained in this document are subject to change at any time. Always refer to the AHRI directory (www.ahridirectory.org) for the most up-to-date ratings information.

Energy Efficiency

- 15.5 - 16.5 SEER/12.5 EER/9.0 - 9.5 HSPF (based on tested combinations)
- Microtube Technology™ refrigeration system
- Indoor air quality accessories available

Sound

- Sound level as low as 69 dBA

Comfort

- System supports Infinity Control™ or standard 2-stage thermostat controls

Reliability

- Puron® refrigerant - environmentally sound, won't deplete the ozone layer and low lifetime service cost.
- Front-seating service valves
- 2-stage scroll compressor
- Internal pressure relief valve
- Internal thermal overload
- Highpressure switch
- Loss of charge switch
- Filter drier
- Balanced refrigeration system for maximum reliability
- Crankcase heater standard

Durability

WeatherArmor™ protection package:

- Solid, Durable sheet metal construction
- Steel louver coil guard
- Baked-on, complete outer coverage, powder paint

Applications

- Long-line - up to 250 feet (76.2 m) total equivalent length, up to 200 feet (60.96 m) condenser above evaporator, or up to 80 ft. (24.38 m) evaporator above condenser (See Longline Guide for more information.)

MODEL NUMBER NOMENCLATURE

1	2	3	4	5	6	7	8	9	10	11	12	13
N	N	A	A	A/N	N	N	N	A/N	A/N	A/N	N	N
2	5	H	P	A	6	3	6	A	0	0	3	0
Product Series	Product Family	Tier	Major Series	SEER	Cooling Capacity	Variations	Open	Open	Voltage	Minor Series		
25 = HP	H = RES HP	P = Performance Series	A = Puron Series	6 = 16 SEER	1,000 Btuh (nominal)	A = Standard	0 = Not Defined	0 = Not Defined	3 = 208/230-1	0, 1, 2...		



This product has been designed and manufactured to meet Energy Star® criteria for energy efficiency when matched with appropriate coil components. However, proper refrigerant charge and proper air flow are critical to achieve rated capacity and efficiency. Installation of this product should follow all manufacturing refrigerant charging and air flow instructions. **Failure to confirm proper charge and air flow may reduce energy efficiency and shorten equipment life.**

25HPA6

STANDARD FEATURES

FEATURES	Unit Size – Voltage, Series			
	24–30	36–30	48–30	60–30
Puron Refrigerant	X	X	X	X
Maximum SEER Rating	16.5	17.0	17.0	16.2
2–Stage Scroll Compressor	X	X	X	X
Louvered Coil Guard	X	X	X	X
Field Installed Filter Drier	X	X	X	X
Front Seating Service Valves	X	X	X	X
Internal Pressure Relief Valve	X	X	X	X
Long Line capability	X	X	X	X
Loss of Charge Switch	X	X	X	X
High Pressure Switch	X	X	X	X
Crankcase Heater	X	X	X	X
Low ambient cooling down to 0°F capability with Infinity Control	X	X	X	X
Utility Interface Connections	X	X	X	X
Enhanced Diagnostics with Infinity Control	X	X	X	X
Sound Blanket	X	X	X	X

X = Standard

PHYSICAL DATA

UNIT SIZE SERIES	24-30	36-30	48-30	60-30
Operating Weight lb (kg)	281 (127)	300 (136)	303 (137)	349 (158)
Shipping Weight lb (kg)	318 (144)	337 (153)	341 (155)	389 (177)
Compressor Type	Ultratech® Scroll			
REFRIGERANT	Puron® (R-410A)			
Control	TXV (Puron® Hard Shutoff)			
Charge lb (kg)	13.62 (6.18)	15.50 (7.03)	14.25 (6.46)	15.75 (7.14)
Outdoor Htg Piston #	40	57	61	67
COND FAN	Forward Swept Propeller Type, Direct Drive			
Air Discharge	Vertical			
Air Qty (CFM)	2700	4269	4350	5000
Motor HP	1/12	1/5	1/4	1/4
Motor RPM	800	810	825	810
COND COIL				
Face Area (Sq ft)	22.69	25.21	25.21	30.25
Fins per In.	20	20	20	20
Rows	2	2	2	2
Circuits	8	8	8	10
VALVE CONNECT. (In. ID)				
Vapor	3/4	7/8	7/8	7/8
Liquid	3/8			
REFRIGERANT TUBES (In. OD)				
Rated Vapor*	3/4	7/8	1-1/8	1-1/8
Max Liquid Line	3/8			

* Units are rated with 25 ft (7.6 m) of lineset length. See Vapor Line Sizing and Cooling Capacity Loss table when using other sizes and lengths of lineset.

Note: See unit Installation Instruction for proper installation.

25HPA6

VAPOR LINE SIZING AND COOLING CAPACITY LOSS

Acceptable vapor line diameters provide adequate oil return to the compressor while avoiding excessive capacity loss. The suction line diameters shown in the chart below are acceptable for AC systems with Puron refrigerant:

Unit Nominal Size (Btuh)	Maximum Liquid Line Diameters (In. OD)	Vapor Line Diameters (In. OD)	Cooling Capacity Loss (%) Total Equivalent Line Length ft. (m)								
			Standard Application		Long Line Application Requires Accessories						
			26-50 (7.9-15.2)	51-80 (15.5-24.4)	81-100 (24.7-30.5)	101-125 (30.8-38.1)	126-150 (38.4-45.7)	151-175 (46.0-50.3)	176-200 (53.6-60.0)	201-225 (61.3-68.6)	226-250 (68.9-76.2)
24,000 2-Stage HP with Puron	3/8	5/8	0	1	1	2	3	3	4	4	5
		3/4	0	1	1	1	1	1	1	1	1
36,000 2-Stage HP with Puron	3/8	5/8	1	2	4	5	6	7	9	10	11
		3/4	0	0	1	1	2	2	3	3	4
		7/8	0	0	—	—	—	—	—	—	—
48,000 2-Stage HP with Puron	3/8	3/4	1	2	2	3	4	5	6	7	7
		7/8	0	1	1	2	2	2	3	3	4
		1-1/8	0	0	—	—	—	—	—	—	—
60,000 2-Stage HP with Puron	3/8	3/4	1	2	4	5	6	8	9	10	11
		7/8	0	1	2	2	3	4	4	5	5
		1-1/8	0	0	—	—	—	—	—	—	—

Standard Length = 80 ft. (24.4 m) or less total equivalent length

Applications in this area are long line. Accessories are required as shown recommended on Long Line Application Guidelines

Applications in this area may have height restrictions that limit allowable total equivalent length, when outdoor unit is below indoor unit.

— Applications in this area are not recommended due to insufficient oil return.

REFRIGERANT PIPING LENGTH LIMITATIONS

Maximum Line Lengths:

The maximum allowable total equivalent length for heat pumps varies depending on the vertical separation. See the tables below for allowable lengths depending on whether the outdoor unit is on the same level, above or below the indoor unit.

Maximum Line Lengths for Heat Pump Applications

	MAXIMUM ACTUAL LENGTH ft (m)	MAXIMUM EQUIVALENT LENGTH† ft (m)	MAXIMUM VERTICAL SEPARATION ft (m)
Units on equal level	200 (61)	250 (76.2)	N/A
Outdoor unit ABOVE indoor unit	200 (61)	250 (76.2)	200 (61)
Outdoor unit BELOW indoor unit	See Table 'Maximum Total Equivalent Length: Outdoor Unit BELOW Indoor Unit'		

† Total equivalent length accounts for losses due to elbows or fitting. See the Long Line Guideline for details.

Maximum Total Equivalent Length† - Outdoor Unit BELOW Indoor Unit

Size	Liquid Line Diameter w/ TXV	HP with Puron® Refrigerant – Maximum Total Equivalent Length† Vertical Separation ft (m) Outdoor unit BELOW indoor unit;						
		0–20 (0 – 6.1)	21–30 (6.4 – 9.1)	31–40 (9.4 – 12.2)	41–50 (12.5 – 15.2)	51–60 (15.5 – 18.3)	61–70 (18.6 – 21.3)	71–80 (21.6 – 24.4)
024 HP with Puron	3/8	250*	250*	250*	250*	250*	250*	250*
036 HP with Puron	3//8	250*	250*	250*	250*	250*	250*	250*
048 HP with Puron	3/8	250*	250*	250*	250*	230	160	--
060 HP with Puron	3/8	250*	225*	190	150	110	--	--

* Maximum actual length not to exceed 200 ft (61 m)

† Total equivalent length accounts for losses due to elbows or fitting. See the Long Line Guideline for details.

-- = outside acceptable range

LONG LINE APPLICATIONS

An application is considered Long Line when the refrigerant level in the system requires the use of accessories to maintain acceptable refrigerant management for systems reliability. Defining a system as long line depends on the liquid line diameter, actual length of the tubing, and vertical separation between the indoor and outdoor units.

For Heat Pump systems, the chart below shows when an application is considered Long Line. Beyond these lengths, long line accessories are required:

HP WITH PURON® REFRIGERANT LONG LINE DESCRIPTION ft (m) Beyond these lengths, long line accessories are required

Liquid Line Size	Units On Same Level	Outdoor Below Indoor	Outdoor Above Indoor
3/8	80 (24.4)	20 (6.1) vertical or 80 (24.4) total	80 (24.4)

Note: See Long Line Guideline for details

ACCESSORIES

KIT NUMBER	KIT NAME	24 – 30	36 – 30	48 – 30	60 – 30
KHALS0401LLS	SOLENOID VALVE	X	X	X	X
KHASS0606MPK*	SNOW STAND	X	X	X	X
KSAHS2301AAA	HARD START KIT	X			
KSAHS2401AAA	HARD START KIT		X		
KSAHS2501AAA	HARD START KIT			X	
KSAHS2601AAA	HARD START KIT				X
KSASF0101AAA	SUPPORT FEET	X	X	X	X
KSASH2101COP	SOUND BLANKET	S	S	S	S
KSATX0201PUR	TXV	X			
KSATX0301PUR	TXV		X		
KSATX0401PUR	TXV			X	
KSATX0501PUR	TXV				X
STANDARD	CRANKCASE HEATER	S	S	S	S

x = Accessory S = Standard * Available from RCD

CONTROLS

SYSTXCCUID01 – A*	Infinity Control Deluxe 7 – Day Programmable (Wall – mounted system control.)
SYSTXCCUIZ01 – A*	Infinity Control Deluxe Zoning 7 – Day Programmable (Wall – mounted control for a multi – zone system.)
SYSTXCC4ZC01	Infinity 4 – Zone Damper Control Module (Wall – mounted control for a four – zone system.)
SYSTXCCSMS01	Infinity Smart Sensor (Optional wall control used to monitor temperature and/or fan control in an individual zone.)
SYSTXCCRRS01	Infinity Remote Room Sensor (Monitors temperature in an individual zone.)
SYSTXCCSAM01	Infinity System Access Module (Hardware for wireless access and control via phone or internet.)
SYSTXCCNIM01	Infinity Network Interface Module (Connects Heat Recovery and Energy Recovery Ventilators on non – zoning applications.)
SYSTXXBPU01	Decorative Back Plate for Infinity Control (Decorative wall plate.)

*These Infinity series units must use “ – A” revision or later to operate properly.

THERMOSTATS

THERMOSTAT / SUBBASE PKG.	DESCRIPTION
TP – PRH01 – B	Programmable Thermidistat
TP – NRH01 – B	Non – programmable Thermidistat
TP – PHP01*	Performance Series Programmable HP Stat
TP – NHP01*	Performance Series Non – programmable HP Stat
TC – PHP01*	Comfort Series Programmable HP Stat
TC – NHP01*	Comfort Series Non – programmable HP Stat

*Serial numbers beginning with 2909 and thereafter.

ACCESSORY USAGE GUIDELINE

ACCESSORY	REQUIRED FOR LOW-AMBIENT COOLING APPLICATIONS (Below 55°F/12.8°C)	REQUIRED FOR LONG LINE APPLICATIONS* (Over 80 ft/24.38 m)	REQUIRED FOR SEA COAST APPLICATIONS (Within 2 miles/3.22 km)
Crankcase Heater	Standard	Standard	Standard
Evaporator Freeze Protection	Standard with Infinity™ Control (Low Ambient not allowed with non-communicating thermostat)	No	No
Liquid-Line Solenoid Valve	No	Yes	No
Low-Ambient Control	Standard with Infinity Control (Low ambient not allowed with non-communicating thermostat)	No	No
Puron Refrigerant Balance Port Hard-ShutOff TXV	Yes†	Yes†	Yes†
Support Feet	Recommended	No	Recommended
Winter Start Control	Standard with Infinity Control (Low Ambient not allowed with non-communicating thermostat)	No	No

* For tubing set lengths between 80 and 200 ft. (24.38 and 60.96 m) horizontal or 20 ft. (6.10 m) vertical differential (total equivalent length), refer to the Long Line Guideline—Air Conditioners and Heat Pumps using Puron® Refrigerant.

† Required on all indoor units. Standard on all new Puron refrigerant fan coils and furnace coils.

25HPA6

Accessory Description and Usage (Listed Alphabetically)

1. Compressor Start Assist - Capacitor and Relay

Start capacitor and relay gives a “hard” boost to compressor motor at each start up.

Usage Guideline:

Available if required by local codes.

2. Crankcase Heater

An electric resistance heater which mounts to the base of the compressor to keep the lubricant warm during off cycles. Improves compressor lubrication on restart and minimizes the chance of liquid slugging.

Usage Guideline:

Required in low ambient cooling applications.

Required in long line applications.

Suggested in all commercial applications.

3. Liquid-Line Solenoid Valve (LLS)

An electrically operated shutoff valve which stops and starts refrigerant liquid flow in response to compressor operation. It is to be installed at the outdoor unit to control refrigerant off cycle migration in the heating mode.

Usage Guideline:

An LLS is required in all long line heat pump applications to control refrigerant off cycle migration in the heating mode. See Long Line Guideline.

Suggested for all commercial applications.

4. Outdoor Air Temperature Sensor

Designed for use with Carrier Thermostats listed in this publication. This device enables the thermostat to display the outdoor temperature. This device also is required to enable special thermostat features such as auxiliary heat lock out.

Usage Guideline:

Suggested for all Carrier thermostats listed in this publication.

5. Snow Stand

Coated wire rack which supports unit 18 in. (457.2 mm) above mounting pad to allow for drainage from unit base.

Usage Guideline:

Suggested in the following applications:

Heat pump installations in heavy snowfall areas.

Heat pump installations in snow drift locations.

Heat pump installations in areas of prolonged subfreezing temperatures.

All commercial installations.

6. Thermostatic Expansion Valve (TXV) Bi-Flow

A modulating flow-control valve which meters refrigerant liquid flow rate into the evaporator in response to the superheat of the refrigerant gas leaving the evaporator.

Usage Guideline:

Accessory required to meet ARI rating and system reliability, where indoor not equipped.

Required in all heat pump applications designed with Puron refrigerant.

ELECTRICAL DATA

UNIT SIZE – VOLTAGE, SERIES	V/PH	OPER VOLTS*		COMPR		FAN	MCA	MIN WIRE SIZE†	MIN WIRE SIZE†	MAX LENGTH ft (m)‡	MAX LENGTH ft (m)‡	MAX FUSE* * or CKT BRK AMPS
		MAX	MIN	LRA	RLA	FLA		60°C	75°C	60°C	75°C	
		24–30	208–230–1	253	197	52.0		15.4	0.5	19.8	14	
36–30	82.0	16.7				1.2	22.1	12	12	57 (17.4)	54 (16.5)	35
48–30	96.0	26.9				1.3	34.8	8	8	89 (27.1)	84 (25.6)	50
60–30	118.0	23.0				1.3	30.1	10	10	67 (20.4)	63 (19.2)	50

* Permissible limits of the voltage range at which the unit will operate satisfactorily

† If wire is applied at ambient greater than 30°C, consult table 310–16 of the NEC (NFPA 70). The ampacity of non–metallic–sheathed cable (NM), trade name ROMEX, shall be that of 60°C conditions, per the NEC (NFPA 70) Article 336–26. If other than uncoated (no–plated), 60 or 75°C insulation, copper wire (solid wire for 10 AWG or smaller, stranded wire for larger than 10 AWG) is used, consult applicable tables of the NEC (NFPA 70).

‡ Length shown is as measured 1 way along wire path between unit and service panel for voltage drop not to exceed 2%.

** Time–Delay fuse.

FLA – Full Load Amps

LRA – Locked Rotor Amps

MCA – Minimum Circuit Amps

RLA – Rated Load Amps

NOTE: Control circuit is 24–V on all units and requires external power source. Copper wire must be used from service disconnect to unit.

All motors/compressors contain internal overload protection.

Complies with 2007 requirements of ASHRAE Standards 90.1

SOUND POWER LEVEL (dBA)

Unit Size – Voltage, Series	Standard Rating dBA	TYPICAL OCTAVE BAND SPECTRUM (dBA, without tone adjustment)						
		125	250	500	1000	2000	4000	8000
24	71 –High Stage	50.5	59.5	64.0	65.5	61.5	58.5	53.5
	69 –Low Stage	50.0	58.0	62.0	64.5	62.0	59.0	50.5
36	74 –High Stage	58.5	60.5	69.5	68.5	63.5	61.0	55.0
	71 –Low Stage	57.5	60.5	64.5	66.0	63.5	61.0	53.5
48	74 –High Stage	55.5	61.5	65.5	70.0	64.5	60.5	55.0
	71 –Low Stage	55.0	61.0	64.5	66.5	63.0	60.0	54.0
60	73 –High Stage	53.5	60.5	66.0	70.5	65.0	59.5	52.5
	73 –Low Stage	52.0	58.5	65.5	69.5	64.5	59.5	52.0

NOTE: Tested in compliance with ARI 270–2008 but not listed with AHRI.

CHARGING SUBCOOLING (TXV-TYPE EXPANSION DEVICE)


UNIT SIZE – VOLTAGE, SERIES	REQUIRED SUBCOOLING °F (°C)
24–30	11.0 (6.1) HIGH STAGE
36–30	12.0 (6.7) HIGH STAGE
48–30	12.0 (6.7) HIGH STAGE
60–30	8.0 (4.4) HIGH STAGE

25HPA6

DIMENSIONS - ENGLISH

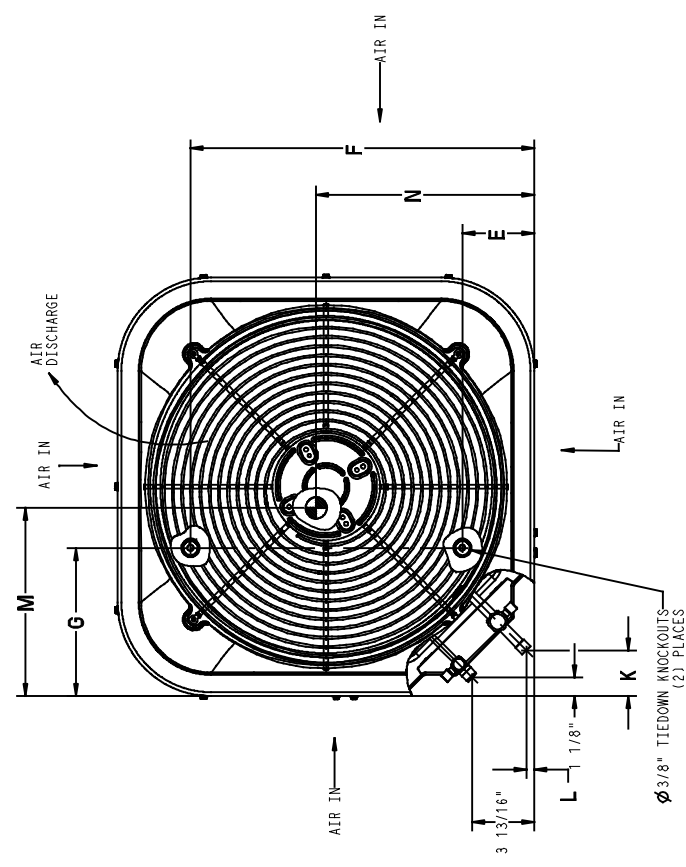
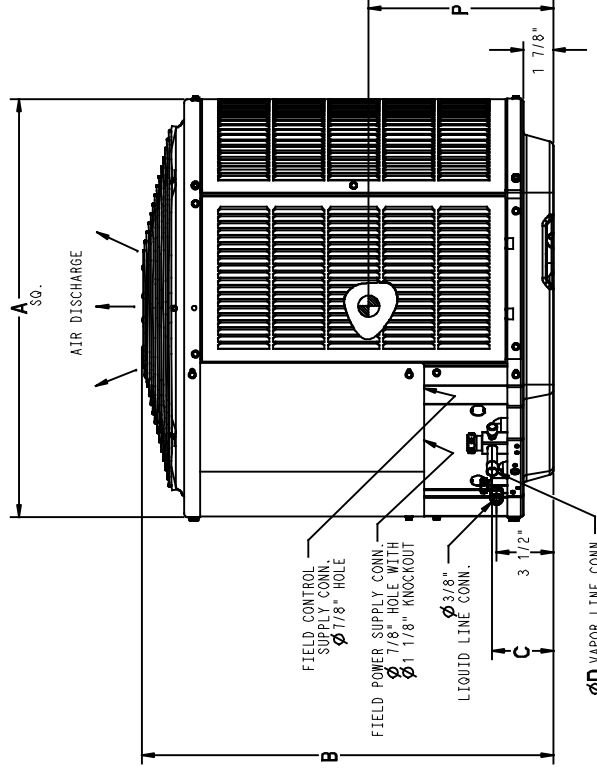
UNIT	SERIES	ELECTRICAL CHARACTERISTICS	A	B	C	D	E	F	G	K	L	M	N	P	OPERATING WEIGHT (lbs)	SHIPPING WEIGHT (lbs)	SHIPPING DIMENSIONS (L x W x H)
25HPA624	0	X 0 0 0	35"	35 3/4"	3 3/4"	3/4"	6 9/16"	28 7/16"	9 1/8"	2 13/16"	1/2"	16"	14 1/2"	15 1/2"	280.5	317.5	36 1/8" X 39 5/16" X 39 3/8"
25HPA636	0	X 0 0 0	35"	39 1/8"	3 7/8"	7/8"	6 9/16"	28 7/16"	9 1/8"	2 15/16"	5/8"	16 1/4"	15 1/2"	18 1/2"	272.4	336.6	36 1/8" X 39 5/16" X 42 3/4"
25HPA648	0	X 0 0 0	35"	39 1/8"	3 7/8"	7/8"	6 9/16"	28 7/16"	9 1/8"	2 15/16"	5/8"	16 1/2"	17 1/2"	17 1/2"	302.5	341.4	36 1/8" X 39 5/16" X 42 3/4"
25HPA660	0	X 0 0 0	35"	45 15/16"	3 7/8"	7/8"	6 9/16"	28 7/16"	9 1/8"	2 15/16"	5/8"	16 1/2"	18"	19 1/2"	348.5	389.0	36 1/8" X 39 5/16" X 49 9/16"

NOTES:

1. ALLOW 24" CLEARANCE TO SERVICE SIDE OF UNIT, 48" ABOVE UNIT, 6" ON ONE SIDE, 12" ON REMAINING SIDE, AND 24" BETWEEN UNITS FOR PROPER AIRFLOW.
2. MINIMUM OUTDOOR OPERATING AMBIENT IN COOLING MODE IS 55°F, MAX. 125°F.
3. SERIES DESIGNATION IS THE 13TH POSITION OF THE UNIT MODEL NUMBER.
4. CENTER OF GRAVITY 
5. ALL DIMENSIONS ARE IN *INCHES* UNLESS NOTED.

X = YES
O = NO

460-3-60
208/230-3-60
230-1-60
208-230-1-60




UNIT SIZE	MINIMUM MOUNTING PAD DIMENSIONS
-	26" X 26"
-	31 1/2" X 31 1/2"
24 THRU 60	35" X 35"

DIMENSIONS - SI

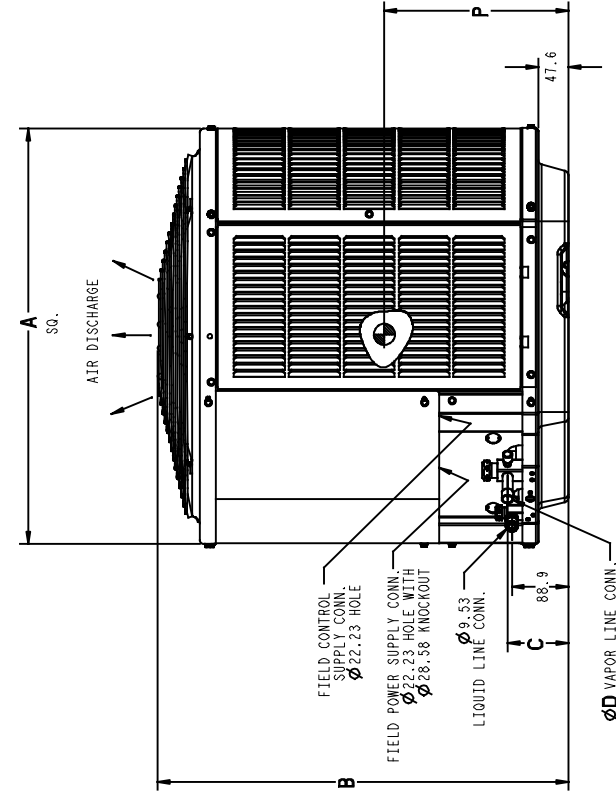
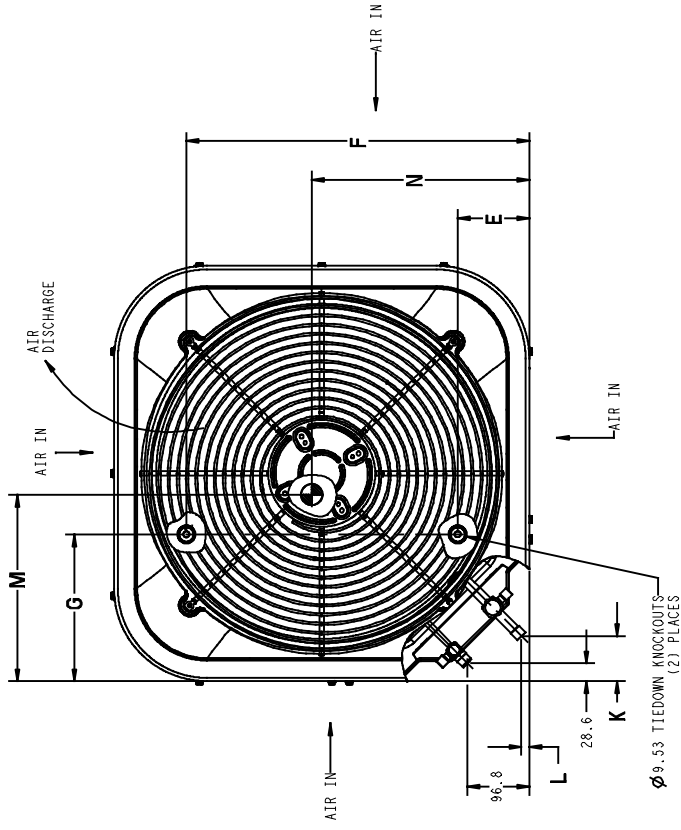
UNIT	SERIES	ELECTRICAL CHARACTERISTICS	A	B	C	D	E	F	G	K	L	M	N	P	OPERATING WEIGHT (KGS)/WEIGHT (KGS)	SHIPPING DIMENSIONS (L x W x H)	
25HPA624	0	X 0 0 0	889.0	908.0	95.2	19.1	166.7	722.3	231.8	71.4	12.7	406.4	368.3	393.7	127.5	144.3	917.6 X 998.6 X 1000.1
25HPA636	0	X 0 0 0	889.0	993.8	98.4	22.2	166.7	722.3	231.8	74.6	15.9	412.8	393.7	469.9	136.2	153.0	917.6 X 998.6 X 1085.8
25HPA648	0	X 0 0 0	889.0	993.8	98.4	22.2	166.7	722.3	231.8	74.6	15.9	419.1	444.5	444.5	137.5	155.2	917.6 X 998.6 X 1085.8
25HPA660	0	X 0 0 0	889.0	1166.8	98.4	22.2	166.7	722.3	231.8	74.6	15.9	419.1	457.2	495.3	138.4	176.8	917.6 X 998.6 X 1238.9

NOTES:

1. ALLOW 609.6 CLEARANCE TO SERVICE SIDE OF UNIT, 1219.2 ABOVE UNIT, 132.4 ON ONE SIDE, 304.8 ON REMAINING SIDE, AND 609.6 BETWEEN UNITS FOR PROPER AIRFLOW.
2. MINIMUM OUTDOOR OPERATING AMBIENT IN COOLING MODE IS 13°C, MAX. 52°C.
3. SERIES DESIGNATION IS THE 13TH POSITION OF THE UNIT MODEL NUMBER.
4. CENTER OF GRAVITY 
5. ALL DIMENSIONS ARE IN "MM" UNLESS NOTED.

X = YES
O = NO

460-3-60	208/230-3-60	230-160	208-230-160
----------	--------------	---------	-------------



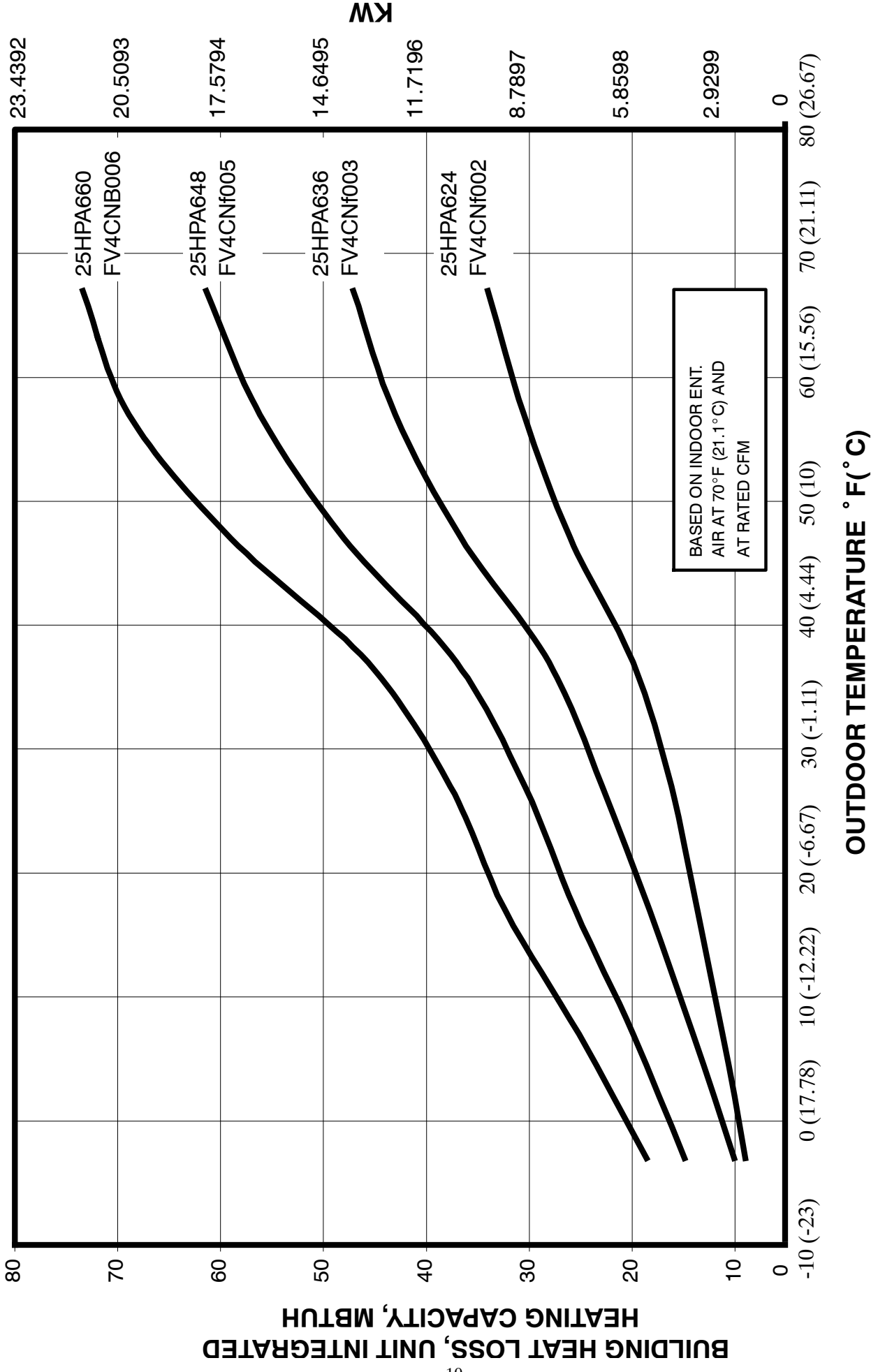
Ø9.53 TIEDOWN KNOCKOUTS (2) PLACES

UNIT SIZE	MINIMUM MOUNTING PAD DIMENSIONS
-	660.4 X 660.4
-	800.1 X 800.1
24 THRU 60	889.0 X 889.0

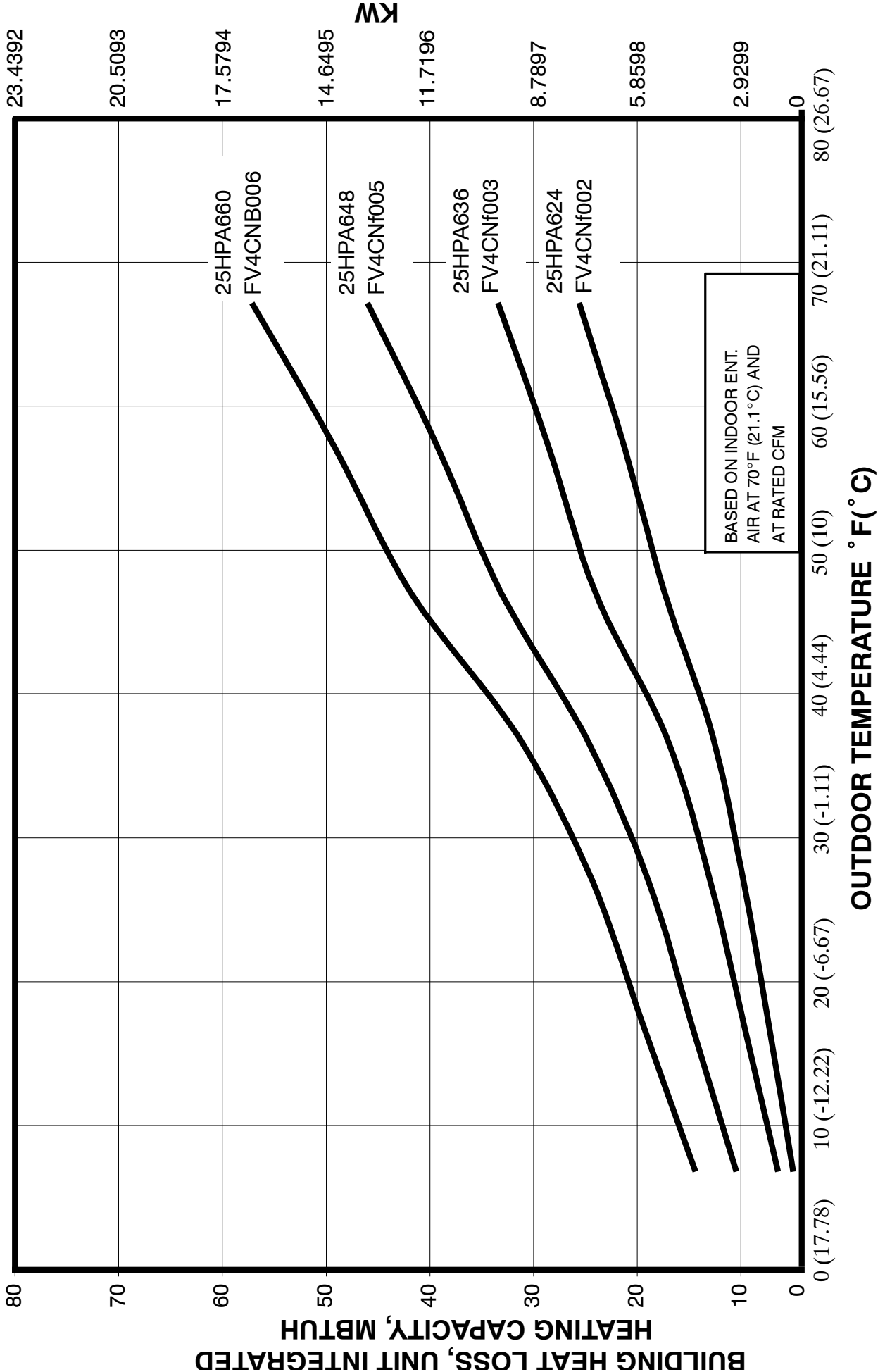
25HPA6

25HPA6

25HPA6 BALANCE POINT WORKSHEET - HIGH STAGE

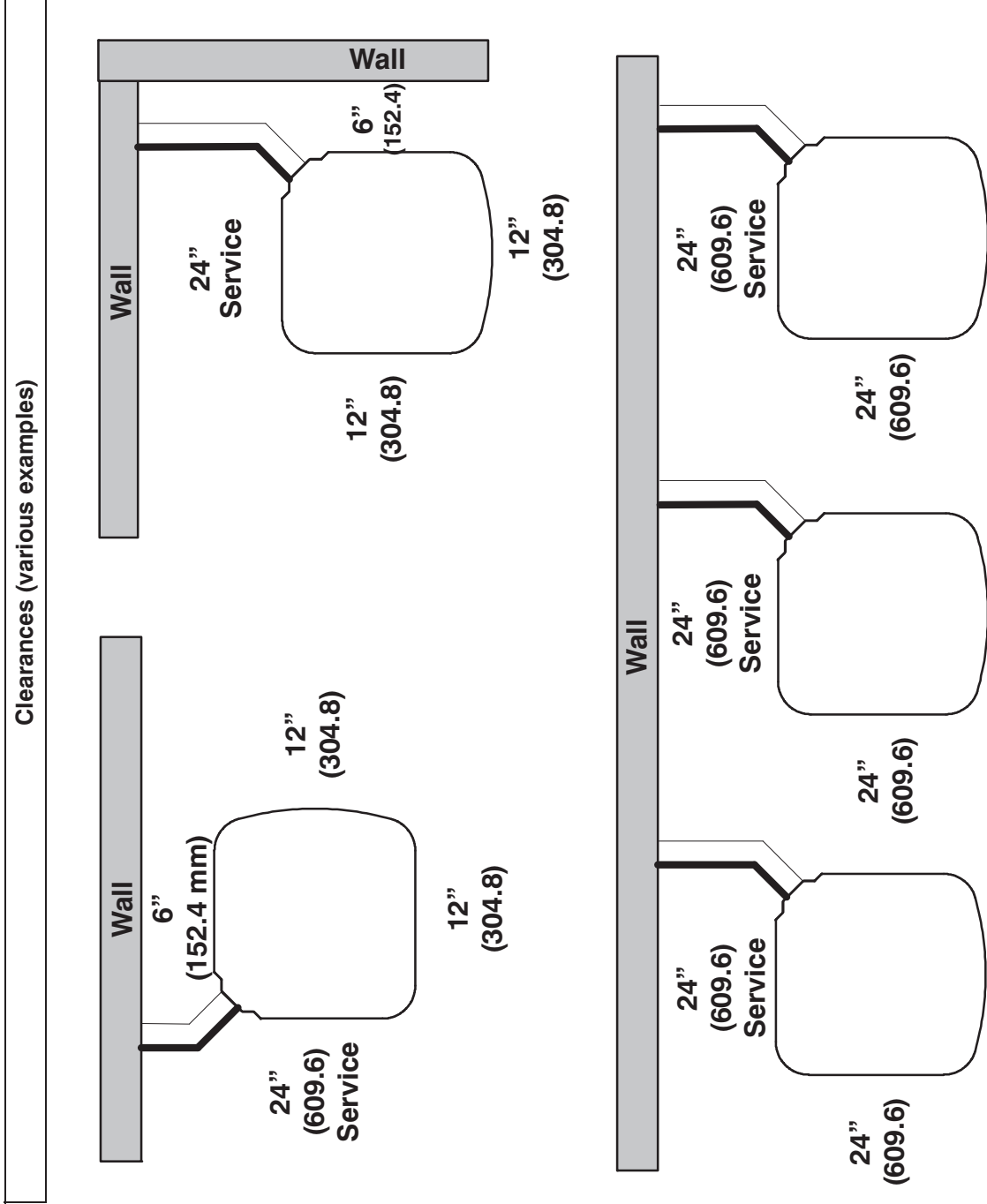


25HPA6 BALANCE POINT WORKSHEET - LOW STAGE



25HPA6

CLEARANCES



Note: Numbers in () = mm

IMPORTANT: When installing multiple units in an alcove, roof well, or partially enclosed area, ensure there is adequate ventilation to prevent re-circulation of discharge air.

COMBINATION RATINGS

AHRI Ref. No.	Model Number	Coil Model Number	Furnace Model Number	Cooling Capacity		Cooling				AHRI Standard Ratings					
				High	Low	SEER	ID CFM		High Temp		HSPF	Low Temp			
							High	Low	E Capacity	E COP		H Capacity	H COP		
3495360	25HPA624A30	†FV4CNF002		23,000	18,600	12.6	16.0	700	560	16.5	26,000	3.18	9.0	16,100	2.82
3495390	25HPA624A30	FE4AN(B,F)003+UI		23,800	19,400	13.0	16.5	800	640	16.5	26,800	3.22	9.2	16,200	2.86
3495389	25HPA624A30	FE4ANF002+UI		23,800	19,400	12.7	16.5	800	640	16.5	27,000	3.22	9.2	16,400	2.86
3495407	25HPA624A30	CAP**2414A**	58MEB040-12	23,400	19,200	12.6	16.5	745	635	16.5	26,600	3.14	9.0	16,200	2.82
3495408	25HPA624A30	CAP**2414A**	58MEB060-12	23,400	19,000	12.6	16.0	760	600	16.0	26,600	3.14	8.9	16,200	2.82
3495409	25HPA624A30	CAP**2414A**	58MEB080-12	23,400	19,700	12.6	16.5	735	635	16.5	26,600	3.12	9.1	16,200	2.82
3495406	25HPA624A30	CAP**2414A**	58PH*045-08	23,000	18,800	12.3	15.5	710	580	15.5	26,600	3.08	8.7	16,200	2.76
3514103	25HPA624A30	CAP**2414A**	58VLR105-12	23,200	18,800	12.5	16.0	715	585	16.0	26,600	3.10	8.8	16,200	2.80
3514110	25HPA624A30	CAP**2414A**	58VMR105-12	22,800	18,300	12.3	15.5	660	520	15.5	26,400	3.04	8.5	16,100	2.74
3495428	25HPA624A30	CAP**2414A**+TDR		22,600	18,200	11.2	13.5	700	560	13.5	27,000	2.92	8.2	16,700	2.60
3495430	25HPA624A30	CAP**2414A**+UI	58CV(A,X)070-12	22,800	18,400	12.3	16.0	660	530	16.0	26,400	3.06	8.5	16,100	2.74
3495431	25HPA624A30	CAP**2414A**+UI	58CV(A,X)090-16	23,000	18,500	12.4	16.0	670	535	16.0	26,400	3.08	8.9	16,000	2.76
3495429	25HPA624A30	CAP**2414A**+UI	58MV(B,C)060-14	23,200	18,800	12.5	16.0	725	580	16.0	26,600	3.10	8.9	16,200	2.80
3495411	25HPA624A30	CAP**2417A**	58MEB040-12	23,400	19,300	12.7	16.5	765	655	16.5	26,600	3.16	9.1	16,200	2.84
3495412	25HPA624A30	CAP**2417A**	58MEB060-12	23,600	19,200	12.7	16.5	780	625	16.5	26,800	3.16	9.0	16,300	2.84
3495413	25HPA624A30	CAP**2417A**	58MEB080-12	23,400	19,800	12.7	16.5	750	570	16.5	26,600	3.14	9.2	16,200	2.82
3495410	25HPA624A30	CAP**2417A**	58PH*045-08	23,200	18,800	12.3	16.0	725	585	16.0	26,600	3.10	8.8	16,200	2.78
3514104	25HPA624A30	CAP**2417A**	58VLR105-12	23,200	18,800	12.5	16.0	715	585	16.0	26,600	3.12	8.8	16,100	2.80
3514111	25HPA624A30	CAP**2417A**	58VMR105-12	22,800	18,300	12.3	15.5	660	520	15.5	26,400	3.06	8.5	16,000	2.76
3495432	25HPA624A30	CAP**2417A**+TDR		22,600	18,200	11.2	13.5	700	560	13.5	27,000	2.92	8.5	16,700	2.60
3495437	25HPA624A30	CAP**2417A**+UI	58CV(A,X)070-12	22,800	18,400	12.5	16.0	660	530	16.0	26,400	3.08	8.6	16,000	2.74
3495438	25HPA624A30	CAP**2417A**+UI	58CV(A,X)090-16	23,000	18,500	12.5	16.0	670	535	16.0	26,400	3.10	8.5	16,000	2.78
3495439	25HPA624A30	CAP**2417A**+UI	58CV(A,X)110-20	23,000	18,400	12.4	15.5	675	540	15.5	26,400	3.08	8.7	16,100	2.76
3495433	25HPA624A30	CAP**2417A**+UI	58MV(B,C)060-14	23,200	18,800	12.5	16.0	725	580	16.0	26,600	3.12	8.8	16,200	2.80
3495434	25HPA624A30	CAP**2417A**+UI	58MV(B,C)080-14	22,800	18,400	12.4	16.0	660	530	16.0	26,400	3.06	8.9	16,000	2.76
3495435	25HPA624A30	CAP**2417A**+UI	58MV(B,C)080-20	22,600	18,100	12.3	15.0	630	505	15.0	26,200	3.04	8.7	15,900	2.74
3495436	25HPA624A30	CAP**2417A**+UI	58MV(B,C)100-20	22,800	18,300	12.4	15.5	665	530	15.5	26,400	3.08	8.6	16,000	2.76
3495415	25HPA624A30	CAP**3014A**	58MEB040-12	23,400	19,300	12.7	16.5	760	650	16.5	26,600	3.12	9.1	16,300	2.86
3495416	25HPA624A30	CAP**3014A**	58MEB060-12	23,400	19,000	12.6	16.0	770	615	16.0	26,600	3.12	9.1	16,300	2.86
3495417	25HPA624A30	CAP**3014A**	58MEB080-12	23,400	19,700	12.7	16.0	740	640	16.0	26,600	3.12	9.2	16,200	2.84
3495414	25HPA624A30	CAP**3014A**	58PH*045-08	23,200	18,800	12.3	15.5	720	585	15.5	26,600	3.08	8.8	16,300	2.78
3514105	25HPA624A30	CAP**3014A**	58VLR105-12	23,200	18,800	12.5	16.0	715	585	16.0	26,600	3.10	9.0	16,200	2.82
3514112	25HPA624A30	CAP**3014A**	58VMR105-12	22,800	18,300	12.3	15.5	660	520	15.5	26,400	3.04	8.6	16,100	2.76
3495440	25HPA624A30	CAP**3014A**+TDR		22,600	18,200	11.2	13.5	700	560	13.5	27,000	2.90	8.5	16,700	2.62
3495442	25HPA624A30	CAP**3014A**+UI	58CV(A,X)070-12	22,800	18,300	12.3	15.5	660	530	15.5	26,400	3.04	8.7	16,100	2.76
3495443	25HPA624A30	CAP**3014A**+UI	58CV(A,X)090-16	23,000	18,400	12.5	16.0	670	535	16.0	26,400	3.08	8.8	16,000	2.80
3495441	25HPA624A30	CAP**3014A**+UI	58MV(B,C)060-14	23,200	18,800	12.5	16.0	725	580	16.0	26,600	3.10	9.0	16,200	2.82
3495419	25HPA624A30	CAP**3017A**	58MEB040-12	23,600	19,400	12.8	16.5	785	680	16.5	26,600	3.14	9.2	16,300	2.88
3495420	25HPA624A30	CAP**3017A**	58MEB060-12	23,600	19,300	12.8	16.5	795	650	16.5	26,600	3.14	9.2	16,300	2.88
3495421	25HPA624A30	CAP**3017A**	58MEB080-12	23,400	19,800	12.8	16.5	760	660	16.5	26,600	3.14	9.3	16,200	2.86
3495418	25HPA624A30	CAP**3017A**	58PH*045-08	23,200	18,800	12.4	16.0	735	595	16.0	26,600	3.08	8.9	16,300	2.80
3514106	25HPA624A30	CAP**3017A**	58VLR105-12	23,200	18,800	12.6	16.0	715	585	16.0	26,600	3.10	9.0	16,200	2.82
3514113	25HPA624A30	CAP**3017A**	58VMR105-12	22,800	18,300	12.4	15.5	660	520	15.5	26,400	3.06	8.6	16,000	2.78
3495444	25HPA624A30	CAP**3017A**+TDR		22,600	18,200	11.2	13.5	700	560	13.5	27,000	2.90	8.5	16,700	2.62
3495449	25HPA624A30	CAP**3017A**+UI	58CV(A,X)070-12	22,800	18,400	12.4	16.0	660	530	16.0	26,400	3.06	8.7	16,000	2.78
3495450	25HPA624A30	CAP**3017A**+UI	58CV(A,X)090-16	23,000	18,400	12.5	16.0	670	535	16.0	26,400	3.08	8.7	16,000	2.80

See notes on pg. 31



25HPA6

25HPA6

COMBINATION RATINGS CONTINUED

AHRI Ref. No.	Model Number	Coil Model Number	Furnace Model Number	Cooling Capacity		Cooling				AHRI Standard Ratings			
				High	Low	SEER	ID CFM		High Temp		HSPF	Low Temp	
							High	Low	E Capacity	E COP		H Capacity	H COP
3495451	25HPA624A30	CAP**3017A**+UI	58CV(A,X)110-20	23,000	18,400	12.5	675	540	26,400	3.08	8.7	16,100	2.80
3495445	25HPA624A30	CAP**3017A**+UI	58MV(B,C)080-14	23,200	18,800	12.6	725	580	26,600	3.12	9.0	16,200	2.84
3495446	25HPA624A30	CAP**3017A**+UI	58MV(B,C)080-14	22,800	18,400	12.4	660	530	26,400	3.06	8.7	16,000	2.78
3495447	25HPA624A30	CAP**3017A**+UI	58MV(B,C)080-20	22,600	18,100	12.3	630	505	26,200	3.04	8.7	15,900	2.76
3495448	25HPA624A30	CAP**3017A**+UI	58MV(B,C)100-20	22,800	18,300	12.5	665	530	26,400	3.08	8.7	16,000	2.80
3495423	25HPA624A30	CAP**3614A**	58MEB040-12	23,600	19,400	12.7	765	660	26,800	3.16	9.2	16,300	2.86
3495424	25HPA624A30	CAP**3614A**	58MEB060-12	23,600	19,200	12.7	780	630	26,800	3.16	9.1	16,300	2.86
3495425	25HPA624A30	CAP**3614A**	58MEB080-12	23,400	19,800	12.7	750	750	26,600	3.16	9.3	16,200	2.86
3495422	25HPA624A30	CAP**3614A**	58PH*045-08	23,200	18,800	12.4	725	590	26,600	3.10	8.9	16,300	2.80
3495452	25HPA624A30	CAP**3614A**+TDR	58PH*045-08	22,600	18,200	11.2	700	560	27,000	2.92	8.5	16,700	2.62
3495454	25HPA624A30	CAP**3614A**+UI	58CV(A,X)070-12	22,800	18,400	12.4	660	530	26,400	3.08	8.5	16,100	2.78
3495455	25HPA624A30	CAP**3614A**+UI	58CV(A,X)090-16	23,000	18,500	12.5	670	535	26,400	3.10	8.7	16,000	2.80
3495453	25HPA624A30	CAP**3614A**+UI	58MV(B,C)080-14	23,200	18,800	12.6	725	580	26,600	3.12	9.0	16,200	2.84
3495427	25HPA624A30	CAP**3617A**	58MEB040-12	23,800	19,600	12.8	790	695	26,800	3.18	9.3	16,300	2.88
3495426	25HPA624A30	CAP**3617A**	58PH*045-08	23,400	18,900	12.4	740	600	26,800	3.12	9.0	16,300	2.82
3514107	25HPA624A30	CAP**3617A**	58VLR105-12	23,200	18,800	12.6	715	585	26,600	3.14	9.0	16,200	2.84
3514114	25HPA624A30	CAP**3617A**	58VMR105-12	22,800	18,300	12.5	660	520	26,400	3.08	8.7	16,000	2.80
3495456	25HPA624A30	CAP**3617A**+TDR	58PH*045-08	22,600	18,200	11.2	700	560	27,000	2.92	8.5	16,700	2.62
3495461	25HPA624A30	CAP**3617A**+UI	58CV(A,X)070-12	22,800	18,400	12.4	660	530	26,400	3.08	8.7	16,100	2.78
3495462	25HPA624A30	CAP**3617A**+UI	58CV(A,X)090-16	23,000	18,500	12.6	670	535	26,400	3.10	8.7	16,000	2.80
3495463	25HPA624A30	CAP**3617A**+UI	58CV(A,X)110-20	23,000	18,400	12.5	675	540	26,400	3.10	8.8	16,000	2.80
3495467	25HPA624A30	CAP**3617A**+UI	58MV(B,C)080-14	23,400	18,900	12.2	765	595	26,800	3.10	9.0	16,500	2.80
3495501	25HPA624A30	CAP**3619A**	58HDV040--12	23,600	19,200	12.3	820	640	27,000	3.12	9.1	16,600	2.82
3514109	25HPA624A30	CAP**3621A**	58VLR105-12	23,200	18,900	12.6	715	585	26,600	3.14	9.0	16,100	2.84
3514115	25HPA624A30	CAP**3621A**	58VMR105-12	23,000	18,300	12.5	660	520	26,400	3.10	8.7	16,000	2.80
3495464	25HPA624A30	CAP**3621A**+TDR	58PH*045-08	22,600	18,200	11.2	700	560	27,000	2.92	8.5	16,700	2.62
3495471	25HPA624A30	CAP**3621A**+UI	58CV(A,X)090-16	23,000	18,500	12.6	670	535	26,400	3.12	8.7	16,000	2.82
3495472	25HPA624A30	CAP**3621A**+UI	58CV(A,X)110-20	23,000	18,400	12.6	675	540	26,400	3.12	8.8	16,000	2.82
3495473	25HPA624A30	CAP**3621A**+UI	58CV(A,X)135-22	23,000	18,400	12.6	675	540	26,400	3.12	8.8	16,000	2.82
3495474	25HPA624A30	CAP**3621A**+UI	58CV(A,X)155-22	23,000	18,400	12.6	675	540	26,400	3.12	8.8	16,000	2.82
3495466	25HPA624A30	CAP**3621A**+UI	58MV(B,C)080-14	23,400	18,900	12.7	725	580	26,600	3.16	9.0	16,100	2.86
3495467	25HPA624A30	CAP**3621A**+UI	58MV(B,C)080-14	23,000	18,400	12.5	660	530	26,400	3.10	8.8	16,000	2.80
3495468	25HPA624A30	CAP**3621A**+UI	58MV(B,C)080-20	22,600	18,100	12.4	630	505	26,200	3.06	8.8	15,900	2.76
3495469	25HPA624A30	CAP**3621A**+UI	58MV(B,C)100-20	23,000	18,400	12.6	665	530	26,400	3.10	8.7	16,000	2.80
3495470	25HPA624A30	CAP**3621A**+UI	58MV(B,C)120-20	23,200	18,500	12.7	690	550	26,400	3.12	8.9	16,100	2.84
3495465	25HPA624A30	CAP**3621A**+UI	58MV(B,C)040-14	23,000	18,500	12.5	675	540	26,400	3.10	8.8	16,100	2.80
3514124	25HPA624A30	CNPH*2417A**	58VMR105-12	22,800	18,400	12.2	660	520	26,600	3.12	8.6	16,100	2.74
3514126	25HPA624A30	CNPH*3017A**	58VMR105-12	22,800	18,300	12.4	660	520	26,400	3.06	8.7	16,000	2.78
3495503	25HPA624A30	CNPH*3617A**	58MEB060-12	23,600	19,200	12.7	790	645	26,600	3.16	9.2	16,300	2.88
3495504	25HPA624A30	CNPH*3617A**	58MEB080-12	23,400	19,800	12.7	755	755	26,600	3.14	9.3	16,200	2.86
3514127	25HPA624A30	CNPH*3617A**	58VMR105-12	22,800	18,300	12.4	660	520	26,400	3.06	8.7	16,000	2.78
3495475	25HPA624A30	CNPV*2414A**+TDR	58PH*045-08	22,600	18,300	11.2	700	560	27,200	2.98	8.5	16,700	2.60

See notes on pg. 31

COMBINATION RATINGS CONTINUED

AHRI Ref. No.	Model Number	Coil Model Number	Furnace Model Number	Cooling Capacity		Cooling				AHRI Standard Ratings					
				High	Low	SEER	ID CFM		High Temp		HSPF	Low Temp			
							High	Low	E Capacity	E COP		H Capacity	H COP		
3495477	25HPA624A30	CNPV*2414A**+UI	58CV(A,X)070-12	22,800	18,400	12.3	16.0	660	530	26,600	3.12	8.6	16,100	2.74	
3495478	25HPA624A30	CNPV*2414A**+UI	58CV(A,X)090-16	23,000	18,500	12.4	16.0	670	535	26,800	3.16	8.7	16,100	2.78	
3495476	25HPA624A30	CNPV*2414A**+UI	58MV(B,C)060-14	23,200	18,900	12.4	16.0	725	580	26,800	3.18	8.8	16,300	2.80	
3514122	25HPA624A30	CNPV*2417A**	58VLR105-12	23,200	18,900	12.4	16.0	715	585	26,800	3.18	8.9	16,200	2.80	
3514117	25HPA624A30	CNPV*2417A**	58VMR105-12	22,800	18,400	12.2	15.6	660	520	26,600	3.12	8.6	16,100	2.74	
3495479	25HPA624A30	CNPV*2417A**+TDR		22,600	18,300	11.2	14.0	700	560	27,200	2.98	8.5	16,700	2.60	
3495484	25HPA624A30	CNPV*2417A**+UI	58CV(A,X)070-12	22,800	18,400	12.3	16.0	660	530	26,600	3.12	8.6	16,100	2.74	
3495485	25HPA624A30	CNPV*2417A**+UI	58CV(A,X)090-16	23,000	18,500	12.4	16.0	670	535	26,600	3.16	8.7	16,100	2.78	
3495486	25HPA624A30	CNPV*2417A**+UI	58CV(A,X)110-20	23,000	18,400	12.3	15.0	675	540	26,800	3.14	8.7	16,100	2.76	
3495480	25HPA624A30	CNPV*2417A**+UI	58MV(B,C)060-14	23,200	18,900	12.4	16.0	725	580	26,800	3.18	8.8	16,300	2.80	
3495481	25HPA624A30	CNPV*2417A**+UI	58MV(B,C)080-14	22,800	18,500	12.3	16.0	660	530	26,600	3.14	8.7	16,100	2.76	
3495482	25HPA624A30	CNPV*2417A**+UI	58MV(B,C)080-20	22,600	18,100	12.3	15.0	630	505	26,600	3.10	8.5	16,000	2.74	
3495483	25HPA624A30	CNPV*2417A**+UI	58MV(B,C)100-20	23,000	18,400	12.4	15.0	665	530	26,600	3.14	8.7	16,100	2.76	
3495487	25HPA624A30	CNPV*3014A**+TDR		22,600	18,200	11.2	13.5	700	560	27,000	2.90	8.5	16,700	2.62	
3495489	25HPA624A30	CNPV*3014A**+UI	58CV(A,X)070-12	22,800	18,400	12.3	16.0	660	530	26,400	3.06	8.7	16,100	2.76	
3495490	25HPA624A30	CNPV*3014A**+UI	58CV(A,X)090-16	23,000	18,400	12.4	16.0	670	535	26,400	3.08	8.8	16,100	2.80	
3495488	25HPA624A30	CNPV*3014A**+UI	58MV(B,C)060-14	23,200	18,800	12.4	16.0	725	580	26,600	3.10	9.0	16,200	2.82	
3514125	25HPA624A30	CNPV*3017A**	58VLR105-12	23,200	18,800	12.5	16.0	715	585	26,600	3.12	9.0	16,200	2.82	
3514118	25HPA624A30	CNPV*3017A**	58VMR105-12	22,800	18,300	12.4	15.5	660	520	26,400	3.06	8.7	16,000	2.78	
3495491	25HPA624A30	CNPV*3017A**+TDR		22,600	18,200	11.2	13.5	700	560	27,000	2.90	8.5	16,700	2.62	
3495496	25HPA624A30	CNPV*3017A**+UI	58CV(A,X)070-12	22,800	18,400	12.4	16.0	660	530	26,400	3.06	8.7	16,100	2.78	
3495497	25HPA624A30	CNPV*3017A**+UI	58CV(A,X)090-16	23,000	18,500	12.5	16.0	670	535	26,400	3.08	8.7	16,000	2.80	
3495498	25HPA624A30	CNPV*3017A**+UI	58CV(A,X)110-20	23,000	18,400	12.5	15.5	675	540	26,400	3.08	8.7	16,100	2.80	
3495492	25HPA624A30	CNPV*3017A**+UI	58MV(B,C)060-14	23,200	18,800	12.6	16.0	725	580	26,600	3.12	9.0	16,200	2.84	
3495493	25HPA624A30	CNPV*3017A**+UI	58MV(B,C)080-14	22,800	18,400	12.4	16.0	660	530	26,400	3.08	8.7	16,000	2.78	
3495494	25HPA624A30	CNPV*3017A**+UI	58MV(B,C)080-20	22,600	18,100	12.3	15.0	630	505	26,200	3.04	8.7	16,000	2.76	
3495495	25HPA624A30	CNPV*3017A**+UI	58MV(B,C)100-20	22,800	18,300	12.5	15.5	665	530	26,400	3.08	8.8	16,000	2.80	
3514128	25HPA624A30	CNPV*3117A**	58VLR105-12	23,400	18,900	12.7	16.0	715	585	26,800	3.26	9.2	16,200	2.88	
3514119	25HPA624A30	CNPV*3117A**	58VMR105-12	23,000	18,400	12.5	15.5	660	520	26,800	3.22	8.8	16,100	2.84	
3514132	25HPA624A30	CNPV*3617A**	58VLR105-12	23,200	18,800	12.5	16.0	715	585	26,600	3.12	9.0	16,200	2.82	
3514120	25HPA624A30	CNPV*3617A**	58VMR105-12	22,800	18,300	12.4	15.5	660	520	26,400	3.06	8.7	16,000	2.78	
3495395	25HPA624A30	CNPV*3617A**+TDR		22,600	18,200	11.2	13.5	700	560	27,000	2.90	8.5	16,700	2.62	
3495400	25HPA624A30	CNPV*3617A**+UI	58CV(A,X)070-12	22,800	18,400	12.4	16.0	660	530	26,400	3.06	8.7	16,100	2.78	
3495401	25HPA624A30	CNPV*3617A**+UI	58CV(A,X)090-16	23,000	18,500	12.5	16.0	670	535	26,400	3.08	8.8	16,000	2.80	
3495402	25HPA624A30	CNPV*3617A**+UI	58CV(A,X)110-20	23,000	18,400	12.5	15.5	675	540	26,400	3.08	8.7	16,100	2.80	
3495396	25HPA624A30	CNPV*3617A**+UI	58MV(B,C)060-14	23,200	18,800	12.6	16.0	725	580	26,600	3.12	9.0	16,200	2.84	
3495397	25HPA624A30	CNPV*3617A**+UI	58MV(B,C)080-14	22,800	18,400	12.4	16.0	660	530	26,400	3.08	8.8	16,000	2.78	
3495398	25HPA624A30	CNPV*3617A**+UI	58MV(B,C)080-20	22,600	18,100	12.3	15.0	630	505	26,200	3.04	8.7	16,000	2.76	
3495399	25HPA624A30	CNPV*3617A**+UI	58MV(B,C)100-20	22,800	18,300	12.5	15.5	665	530	26,400	3.08	8.7	16,000	2.80	
3514133	25HPA624A30	CNPV*3621A**	58VLR105-12	23,200	18,800	12.6	16.0	715	585	26,600	3.12	9.0	16,200	2.82	
3514121	25HPA624A30	CNPV*3621A**	58VMR105-12	22,800	18,300	12.4	15.5	660	520	26,400	3.06	8.7	16,000	2.78	
3495403	25HPA624A30	CNPV*3621A**+TDR		22,600	18,200	11.2	13.5	700	560	27,000	2.90	8.5	16,700	2.62	
3495405	25HPA624A30	CNPV*3621A**+UI	58MV(B,C)060-14	23,200	18,800	12.6	16.0	725	580	26,600	3.12	9.0	16,200	2.84	
3495404	25HPA624A30	CNPV*3621A**+UI	58MV(B,C)080-14	23,000	18,500	12.4	16.0	675	540	26,400	3.08	8.8	16,100	2.78	
3514134	25HPA624A30	CNPV*3717A**	58VLR105-12	23,400	19,000	12.7	16.0	715	585	27,000	3.32	9.3	16,300	2.90	
3514123	25HPA624A30	CNPV*3717A**	58VMR105-12	23,000	18,400	12.6	15.5	660	520	26,800	3.30	9.0	16,100	2.86	

See notes on pg. 31



25HPA6

COMBINATION RATINGS CONTINUED

AHRI Ref. No.	Model Number	Coil Model Number	Furnace Model Number	Cooling Capacity		Cooling				AHRI Standard Ratings			
				High	Low	SEER	ID CFM		High Temp		HSPF	Low Temp	
							High	Low	E Capacity	E COP		H Capacity	H COP
3495506	25HPA624A30	CSPH*2412A**	58MEB040-12	23,200	18,900	12.5	710	585	26,800	3.16	9.0	16,200	2.82
3495507	25HPA624A30	CSPH*2412A**	58MEB060-12	23,200	18,600	12.4	725	545	26,800	3.18	9.0	16,300	2.82
3495508	25HPA624A30	CSPH*2412A**	58MEB080-12	23,200	19,600	12.5	700	700	26,800	3.16	9.1	16,200	2.80
3495505	25HPA624A30	CSPH*2412A**	58PH*045-08	23,000	18,600	12.2	685	555	26,800	3.12	8.7	16,300	2.76
3514129	25HPA624A30	CSPH*2412A**	58VMR105-12	22,800	18,300	12.2	660	520	26,600	3.10	8.7	16,200	2.74
3495361	25HPA624A30	CSPH*2412A**+TDR		22,600	18,300	11.2	700	560	27,200	2.98	8.3	16,100	2.62
3495368	25HPA624A30	CSPH*2412A**+UI	58CV(A,X)070-12	22,800	18,400	12.2	660	530	26,600	3.10	8.7	16,100	2.76
3495369	25HPA624A30	CSPH*2412A**+UI	58CV(A,X)090-16	23,000	18,500	12.4	670	535	26,600	3.14	8.7	16,100	2.78
3495370	25HPA624A30	CSPH*2412A**+UI	58CV(A,X)110-20	23,000	18,500	12.2	675	540	26,800	3.12	8.7	16,200	2.76
3495364	25HPA624A30	CSPH*2412A**+UI	58MV(B,C)060-14	23,200	18,800	12.4	725	580	26,800	3.16	9.0	16,300	2.80
3495365	25HPA624A30	CSPH*2412A**+UI	58MV(B,C)080-14	22,800	18,400	12.3	660	530	26,600	3.12	8.7	16,100	2.76
3495366	25HPA624A30	CSPH*2412A**+UI	58MV(B,C)080-20	22,600	18,200	12.2	630	505	26,400	3.08	8.6	16,000	2.74
3495367	25HPA624A30	CSPH*2412A**+UI	58MV(B,C)100-20	22,800	18,400	12.3	665	530	26,600	3.12	8.7	16,100	2.78
3495363	25HPA624A30	CSPH*2412A**+UI	58MV(B,C)100-14	23,000	18,500	12.2	675	540	26,800	3.12	8.7	16,200	2.76
3495510	25HPA624A30	CSPH*3012A**	58MEB040-12	23,400	19,200	12.6	750	640	26,600	3.14	9.1	16,300	2.86
3495511	25HPA624A30	CSPH*3012A**	58MEB060-12	23,400	19,000	12.6	765	605	26,800	3.16	9.0	16,300	2.86
3495512	25HPA624A30	CSPH*3012A**	58MEB080-12	23,400	19,700	12.6	735	735	26,800	3.14	9.2	16,200	2.84
3495509	25HPA624A30	CSPH*3012A**	58PH*045-08	23,200	18,700	12.3	715	580	26,600	3.08	8.8	16,300	2.80
3514130	25HPA624A30	CSPH*3012A**	58VMR105-12	22,800	18,300	12.3	660	520	26,400	3.06	8.6	16,100	2.76
3495371	25HPA624A30	CSPH*3012A**+TDR		22,600	18,200	11.2	700	560	27,000	2.92	8.3	16,100	2.62
3495377	25HPA624A30	CSPH*3012A**+UI	58CV(A,X)070-12	22,800	18,300	12.3	660	530	26,400	3.08	8.7	16,100	2.76
3495378	25HPA624A30	CSPH*3012A**+UI	58CV(A,X)090-16	23,000	18,400	12.5	670	535	26,400	3.06	8.8	16,100	2.80
3495379	25HPA624A30	CSPH*3012A**+UI	58CV(A,X)110-20	23,000	18,500	12.4	675	540	26,400	3.08	8.8	16,100	2.78
3495373	25HPA624A30	CSPH*3012A**+UI	58MV(B,C)060-14	23,200	18,800	12.5	725	580	26,600	3.12	9.0	16,200	2.82
3495374	25HPA624A30	CSPH*3012A**+UI	58MV(B,C)080-14	22,800	18,400	12.4	660	530	26,400	3.06	8.7	16,100	2.78
3495375	25HPA624A30	CSPH*3012A**+UI	58MV(B,C)080-20	22,600	18,100	12.3	630	505	26,200	3.04	8.0	16,000	2.74
3495376	25HPA624A30	CSPH*3012A**+UI	58MV(B,C)100-20	22,800	18,400	12.4	665	530	26,400	3.08	8.8	16,100	2.78
3495372	25HPA624A30	CSPH*3012A**+UI	58MV(B,C)100-14	23,000	18,400	12.3	675	540	26,400	3.08	8.7	16,100	2.78
3495514	25HPA624A30	CSPH*3612A**	58MEB040-12	23,800	19,500	12.8	780	675	26,800	3.26	9.5	16,300	2.92
3495515	25HPA624A30	CSPH*3612A**	58MEB060-12	23,800	19,300	12.8	795	640	27,000	3.26	9.3	16,400	2.92
3495516	25HPA624A30	CSPH*3612A**	58MEB080-12	23,600	19,900	12.8	760	760	26,800	3.24	9.5	16,300	2.90
3495513	25HPA624A30	CSPH*3612A**	58PH*045-08	23,400	18,900	12.4	735	590	27,000	3.18	9.0	16,400	2.84
3514131	25HPA624A30	CSPH*3612A**	58VMR105-12	23,000	18,300	12.4	660	520	26,600	3.16	8.8	16,100	2.82
3495380	25HPA624A30	CSPH*3612A**+TDR		22,600	18,300	11.2	700	560	27,200	3.00	8.5	16,800	2.64
3495386	25HPA624A30	CSPH*3612A**+UI	58CV(A,X)070-12	23,000	18,400	12.4	660	530	26,600	3.16	8.8	16,100	2.80
3495387	25HPA624A30	CSPH*3612A**+UI	58CV(A,X)090-16	23,000	18,500	12.6	670	535	26,600	3.18	8.8	16,100	2.84
3495388	25HPA624A30	CSPH*3612A**+UI	58CV(A,X)110-20	23,000	18,500	12.5	675	540	26,600	3.18	9.0	16,100	2.82
3495382	25HPA624A30	CSPH*3612A**+UI	58MV(B,C)060-14	23,400	18,800	12.6	725	580	26,800	3.22	9.0	16,200	2.88
3495383	25HPA624A30	CSPH*3612A**+UI	58MV(B,C)080-14	23,000	18,400	12.5	660	530	26,600	3.16	8.8	16,100	2.82
3495384	25HPA624A30	CSPH*3612A**+UI	58MV(B,C)080-20	22,800	18,200	12.4	630	505	26,400	3.14	8.7	16,000	2.78
3495385	25HPA624A30	CSPH*3612A**+UI	58MV(B,C)100-20	23,000	18,500	12.5	665	530	26,600	3.18	8.8	16,100	2.82
3495381	25HPA624A30	CSPH*3612A**+UI	58MV(B,C)100-14	23,000	18,500	12.4	675	540	26,600	3.18	8.8	16,200	2.82
3495517	25HPA636A30	FEV4CN(B,F)003		34,000	28,000	12.5	1,050	840	36,400	3.76	9.0	22,000	2.84
3495707	25HPA636A30	FE4AN(B,F)003+UI		34,600	28,600	12.5	1,200	960	37,200	3.86	9.1	22,600	2.88
3495708	25HPA636A30	FE4AN(B,F)005+UI		36,000	29,400	13.0	1,200	960	37,800	4.08	9.5	22,800	2.80

See notes on pg. 31

COMBINATION RATINGS CONTINUED

AHRI Ref. No.	Model Number	Coil Model Number	Furnace Model Number	Cooling Capacity		Cooling				AHRI Standard Ratings					
				High	Low	SEER	ID CFM		High Temp		HSPF	Low Temp			
							High	Low	E Capacity	E COP		H Capacity	H COP		
3495709	25HPA636A30	FE4ANB006+UI		36,400	29,800	13.3	17.0	1,200	960	38,000	4.20	9.6	22,800	2.84	
3495706	25HPA636A30	FE4ANF002+UI		34,200	28,400	11.9	15.0	1,200	960	37,800	3.80	9.0	23,000	2.82	
3495710	25HPA636A30	FV4CNI(B,F)005		35,200	28,600	13.0	16.0	1,050	840	37,200	3.96	9.3	22,200	2.74	
3495711	25HPA636A30	FV4CNB006		35,600	29,000	13.3	16.5	1,050	840	37,400	4.06	9.5	22,200	2.80	
3495714	25HPA636A30	CAP**3614A**	58MEB040-12	33,800	27,400	12.2	15.0	1,035	775	36,800	3.70	8.7	22,200	2.82	
3495715	25HPA636A30	CAP**3614A**	58MEB080-12	33,800	27,400	12.1	15.0	1,045	785	36,800	3.70	8.7	22,200	2.82	
3495716	25HPA636A30	CAP**3614A**	58MEB080-12	33,600	27,200	12.1	15.0	1,030	755	36,800	3.68	8.6	22,200	2.82	
3495717	25HPA636A30	CAP**3614A**	58MEB080-16	33,800	28,200	12.2	15.0	1,050	955	36,800	3.70	8.9	22,400	2.82	
3495712	25HPA636A30	CAP**3614A**	58PH*045-08	33,400	27,000	11.5	14.5	1,045	795	37,200	3.58	8.5	22,800	2.54	
3495713	25HPA636A30	CAP**3614A**	58PH*070-16	33,400	28,000	11.8	14.5	1,020	895	37,000	3.62	8.7	22,400	2.56	
3495518	25HPA636A30	CAP**3614A**+TDR		33,600	27,400	11.4	13.5	1,100	880	37,600	3.60	8.5	23,000	2.52	
3495520	25HPA636A30	CAP**3614A**+UI	58CV(A,X)070-12	33,400	27,600	11.9	15.0	1,005	805	36,800	3.62	8.8	22,200	2.58	
3495521	25HPA636A30	CAP**3614A**+UI	58CV(A,X)090-16	33,600	27,600	12.2	15.0	1,005	805	36,800	3.66	8.8	22,200	2.60	
3495519	25HPA636A30	CAP**3614A**+UI	58MV(B,C)060-14	33,800	27,800	12.0	15.0	1,055	845	37,000	3.68	9.0	22,400	2.80	
3495721	25HPA636A30	CAP**3617A**		34,000	27,600	12.3	15.5	1,065	795	36,800	3.74	8.8	22,200	2.64	
3495722	25HPA636A30	CAP**3617A**	58MEB060-12	34,000	27,600	12.2	15.5	1,080	810	37,000	3.74	8.8	22,400	2.64	
3495723	25HPA636A30	CAP**3617A**	58MEB080-12	33,800	27,400	12.2	15.5	1,055	775	36,800	3.72	8.7	22,400	2.64	
3495724	25HPA636A30	CAP**3617A**	58MEB080-16	34,000	28,400	12.2	15.0	1,080	985	37,000	3.74	8.9	22,400	2.64	
3495736	25HPA636A30	CAP**3617A**	58MEB100-20	34,400	28,800	12.3	15.5	1,205	1,035	37,400	3.82	9.0	22,600	2.68	
3495718	25HPA636A30	CAP**3617A**	58PH*045-08	33,600	27,200	11.6	15.0	1,075	750	37,400	3.62	8.5	22,800	2.56	
3495719	25HPA636A30	CAP**3617A**	58PH*070-16	33,600	28,000	11.9	14.5	1,050	920	37,000	3.66	8.7	22,400	2.58	
3495720	25HPA636A30	CAP**3617A**	58PH*090-16	34,000	28,200	12.3	15.0	1,060	930	36,800	3.74	8.9	22,200	2.64	
3495735	25HPA636A30	CAP**3617A**	58PH*110-20	34,400	28,800	12.3	15.0	1,185	1,095	37,400	3.82	9.0	22,600	2.68	
3514135	25HPA636A30	CAP**3617A**	58VLR105-12	33,800	28,000	12.1	15.0	1,065	880	37,000	3.70	8.8	22,400	2.60	
3514136	25HPA636A30	CAP**3617A**	58VLR120-20	33,600	27,400	12.3	15.0	1,005	765	36,600	3.70	8.7	22,000	2.62	
3514155	25HPA636A30	CAP**3617A**	58VMR105-12	33,400	27,600	12.0	15.0	975	800	36,600	3.62	8.6	22,000	2.58	
3514156	25HPA636A30	CAP**3617A**	58VMR120-20	33,600	27,000	12.1	15.0	1,000	720	36,600	3.66	8.5	22,000	2.60	
3495522	25HPA636A30	CAP**3617A**+TDR		33,800	27,800	11.4	13.5	1,200	960	38,000	3.64	8.5	23,400	2.54	
3495527	25HPA636A30	CAP**3617A**+UI	58CV(A,X)070-12	33,600	27,600	12.0	15.0	1,005	805	36,800	3.64	8.8	22,200	2.58	
3495528	25HPA636A30	CAP**3617A**+UI	58CV(A,X)090-16	33,600	27,600	12.3	15.5	1,005	805	36,600	3.68	8.9	22,000	2.62	
3495529	25HPA636A30	CAP**3617A**+UI	58CV(A,X)110-20	33,800	27,600	12.3	15.5	1,020	815	36,600	3.70	8.8	22,000	2.62	
3495523	25HPA636A30	CAP**3617A**+UI	58MV(B,C)060-14	33,800	27,800	12.2	15.0	1,055	845	36,800	3.72	9.0	22,200	2.62	
3495524	25HPA636A30	CAP**3617A**+UI	58MV(B,C)080-14	33,600	27,600	12.0	15.0	1,030	825	36,800	3.66	9.0	22,400	2.80	
3495525	25HPA636A30	CAP**3617A**+UI	58MV(B,C)080-20	33,600	27,600	12.1	15.0	1,010	810	36,600	3.66	9.0	22,200	2.60	
3495526	25HPA636A30	CAP**3617A**+UI	58MV(B,C)100-20	33,800	27,800	12.2	15.0	1,040	830	36,800	3.70	9.0	22,200	2.62	
3495743	25HPA636A30	CAP**3619A**	58HDV040-12	33,400	27,400	11.5	14.5	1,055	815	37,400	3.58	8.5	22,800	2.54	
3495744	25HPA636A30	CAP**3619A**	58HDV060-12	33,800	27,400	11.7	15.0	1,100	785	37,400	3.66	8.6	22,800	2.58	
3495745	25HPA636A30	CAP**3619A**	58HDV080-20	34,200	28,200	12.1	15.0	1,180	920	37,400	3.76	8.9	22,800	2.64	
3495727	25HPA636A30	CAP**3621A**	58MEB040-12	34,000	27,800	12.3	15.5	1,085	815	37,000	3.76	8.8	22,200	2.66	
3495728	25HPA636A30	CAP**3621A**	58MEB060-12	34,200	27,800	12.3	15.5	1,110	830	37,000	3.78	8.9	22,400	2.66	
3495729	25HPA636A30	CAP**3621A**	58MEB080-12	34,000	27,600	12.3	15.5	1,080	795	36,800	3.76	8.8	22,400	2.64	
3495738	25HPA636A30	CAP**3621A**	58MEB080-16	34,400	28,600	12.1	15.0	1,225	1,015	37,600	3.80	9.0	22,800	2.66	
3495739	25HPA636A30	CAP**3621A**	58MEB100-20	34,600	28,800	12.4	15.5	1,240	1,065	37,400	3.86	9.2	22,800	2.70	
3495725	25HPA636A30	CAP**3621A**	58PH*070-16	33,800	28,200	12.0	15.0	1,070	940	37,000	3.68	8.9	22,400	2.60	
3495726	25HPA636A30	CAP**3621A**	58PH*090-16	34,000	28,400	12.4	15.0	1,085	955	36,800	3.78	8.9	22,200	2.66	
3495737	25HPA636A30	CAP**3621A**	58PH*110-20	34,600	29,000	12.4	15.5	1,225	1,125	37,400	3.86	9.2	22,600	2.70	

See notes on pg. 31



25HPA6

COMBINATION RATINGS CONTINUED

AHRI Ref. No.	Model Number	Coil Model Number	Furnace Model Number	Cooling Capacity		Cooling				AHRI Standard Ratings				
				High	Low	SEER	ID CFM		High Temp		HSPF	Low Temp		
							High	Low	E Capacity	COP		H Capacity	H COP	
3514139	25HPA636A30	CAP**3621A**	58VLR105-12	33,800	28,000	12.2	15.0	1,065	880	37,000	3.70	8.8	22,400	2.62
3514140	25HPA636A30	CAP**3621A**	58VLR120-20	33,800	27,400	12.4	15.0	1,005	765	36,400	3.72	8.7	22,000	2.64
3514158	25HPA636A30	CAP**3621A**	58VMR105-12	33,400	27,600	12.1	15.0	975	800	36,600	3.64	8.7	22,000	2.58
3514160	25HPA636A30	CAP**3621A**	58VMR120-20	33,600	27,000	12.2	15.0	1,000	720	36,600	3.68	8.5	22,000	2.62
3495530	25HPA636A30	CAP**3621A**+TDR		33,800	27,800	11.4	13.5	1,200	960	38,000	3.64	8.5	23,400	2.54
3495535	25HPA636A30	CAP**3621A**+UI	58CV(A,X)090-16	33,600	27,600	12.3	15.5	1,005	805	36,600	3.70	8.8	22,000	2.62
3495536	25HPA636A30	CAP**3621A**+UI	58CV(A,X)110-20	33,800	27,600	12.3	15.5	1,020	815	36,600	3.72	8.9	22,000	2.64
3495531	25HPA636A30	CAP**3621A**+UI	58MV(B,C)080-14	33,600	27,600	12.1	15.0	1,030	825	36,600	3.68	9.0	22,200	2.60
3495532	25HPA636A30	CAP**3621A**+UI	58MV(B,C)080-20	33,600	27,600	12.2	15.0	1,010	810	36,600	3.68	8.8	22,200	2.62
3495533	25HPA636A30	CAP**3621A**+UI	58MV(B,C)100-20	33,800	27,800	12.3	15.5	1,040	830	36,800	3.72	9.0	22,200	2.62
3495534	25HPA636A30	CAP**3621A**+UI	58MV(B,C)120-20	33,800	27,600	12.4	15.5	1,010	810	36,600	3.70	8.8	22,000	2.62
3514150	25HPA636A30	CAP**3621A**+UI	58MV(B,C)100-14	33,400	27,600	12.1	15.0	1,000	800	36,600	3.64	8.7	22,000	2.58
3495732	25HPA636A30	CAP**4221A**	58MEB040-12	34,400	28,000	12.4	15.5	1,085	820	37,000	3.80	8.9	22,400	2.68
3495733	25HPA636A30	CAP**4221A**	58MEB060-12	34,400	28,000	12.4	15.5	1,105	825	37,200	3.82	8.9	22,400	2.68
3495734	25HPA636A30	CAP**4221A**	58MEB080-12	34,200	27,800	12.4	15.5	1,075	790	37,000	3.80	8.8	22,400	2.66
3495741	25HPA636A30	CAP**4221A**	58MEB080-16	34,600	28,800	12.2	15.5	1,220	1,010	37,800	3.84	9.0	23,000	2.68
3495742	25HPA636A30	CAP**4221A**	58MEB100-20	35,000	29,000	12.5	15.5	1,240	1,065	37,600	3.90	9.2	22,800	2.72
3495730	25HPA636A30	CAP**4221A**	58PH*070-16	34,000	28,400	12.1	15.0	1,070	940	37,200	3.72	8.9	22,600	2.62
3495731	25HPA636A30	CAP**4221A**	58PH*090-16	34,400	28,600	12.5	15.5	1,085	950	37,000	3.82	9.0	22,400	2.68
3495740	25HPA636A30	CAP**4221A**	58PH*110-20	34,800	29,200	12.5	15.5	1,225	1,125	37,600	3.90	9.2	22,800	2.72
3514141	25HPA636A30	CAP**4221A**	58VLR105-12	34,000	28,200	12.2	15.0	1,065	880	37,000	3.76	8.8	22,400	2.64
3514142	25HPA636A30	CAP**4221A**	58VLR120-20	34,000	27,600	12.5	15.5	1,005	765	36,600	3.76	8.8	22,000	2.64
3514161	25HPA636A30	CAP**4221A**	58VMR105-12	33,600	27,800	12.2	15.0	975	800	36,600	3.68	8.8	22,000	2.60
3514162	25HPA636A30	CAP**4221A**	58VMR120-20	33,800	27,200	12.3	15.0	1,000	720	36,600	3.72	8.5	22,200	2.62
3495537	25HPA636A30	CAP**4221A**+TDR		34,400	28,200	11.4	13.5	1,260	1,010	38,500	3.70	8.5	23,600	2.58
3495543	25HPA636A30	CAP**4221A**+UI	58CV(A,X)110-20	34,000	28,000	12.4	15.5	1,005	805	36,800	3.74	9.0	22,200	2.64
3495538	25HPA636A30	CAP**4221A**+UI	58MV(B,C)080-14	34,200	28,000	12.4	15.5	1,055	845	37,000	3.78	9.0	22,400	2.66
3495539	25HPA636A30	CAP**4221A**+UI	58MV(B,C)080-20	34,000	27,800	12.2	15.0	1,030	825	37,000	3.72	9.0	22,400	2.62
3495540	25HPA636A30	CAP**4221A**+UI	58MV(B,C)080-14	33,800	27,800	12.3	15.5	1,010	810	36,800	3.72	9.0	22,200	2.62
3495541	25HPA636A30	CAP**4221A**+UI	58MV(B,C)100-20	34,000	28,000	12.3	15.5	1,040	830	36,800	3.76	9.0	22,200	2.64
3495542	25HPA636A30	CAP**4221A**+UI	58MV(B,C)120-20	34,000	27,800	12.4	15.5	1,010	810	36,600	3.76	9.0	22,000	2.64
3514151	25HPA636A30	CAP**4221A**+UI	58MV(B,C)100-14	33,800	27,800	12.1	15.0	1,000	800	36,800	3.68	8.7	22,200	2.60
3495750	25HPA636A30	CAP**4224A**	58PH*090-16	34,400	28,600	12.5	15.5	1,090	960	37,000	3.82	9.0	22,400	2.68
3514143	25HPA636A30	CAP**4224A**	58VLR120-20	34,000	27,600	12.5	15.5	1,005	765	36,600	3.76	8.8	22,000	2.66
3514163	25HPA636A30	CAP**4224A**	58VMR120-20	33,800	27,200	12.3	15.0	1,000	720	36,600	3.72	8.6	22,000	2.64
3495545	25HPA636A30	CAP**4224A**+TDR		34,400	28,200	11.4	13.5	1,260	1,010	38,500	3.70	8.5	23,600	2.58
3495547	25HPA636A30	CAP**4224A**+UI	58CV(A,X)110-20	34,000	28,000	12.5	15.5	1,020	815	36,800	3.76	9.0	22,200	2.66
3495548	25HPA636A30	CAP**4224A**+UI	58CV(A,X)135-22	34,000	27,800	12.5	15.5	1,010	810	36,600	3.76	9.0	22,000	2.66
3495549	25HPA636A30	CAP**4224A**+UI	58CV(A,X)155-22	34,200	28,000	12.7	15.5	1,015	810	36,600	3.80	9.0	22,000	2.68
3495546	25HPA636A30	CAP**4224A**+UI	58MV(B,C)120-20	34,000	27,800	12.5	15.5	1,010	810	36,600	3.76	9.0	22,000	2.66
3514152	25HPA636A30	CAP**4224A**+UI	58MV(B,C)100-14	33,800	27,800	12.2	15.0	1,000	800	36,800	3.70	8.7	22,200	2.60
3495754	25HPA636A30	CAP**4817A**	58MEB040-12	35,000	28,400	12.6	16.0	1,070	805	37,600	3.96	9.0	22,600	2.72
3495755	25HPA636A30	CAP**4817A**	58MEB060-12	35,000	28,600	12.6	16.0	1,085	810	37,600	3.96	9.0	22,600	2.72
3495756	25HPA636A30	CAP**4817A**	58MEB080-12	35,000	28,200	12.6	16.0	1,060	785	37,400	3.94	9.0	22,600	2.72
3495757	25HPA636A30	CAP**4817A**	58MEB080-16	35,000	29,400	12.6	15.5	1,085	990	37,600	3.96	9.1	22,600	2.72

See notes on pg. 31

COMBINATION RATINGS CONTINUED

AHRI Ref. No.	Model Number	Coil Model Number	Furnace Model Number	Cooling Capacity		Cooling				AHRI Standard Ratings			
				High	Low	SEER	ID CFM		High Temp		HSPF	Low Temp	
							High	Low	E Capacity	E COP		H Capacity	H COP
3495751	25HPA636A30	CAP**4817A**	58PH*045-08	34,600	28,000	11.9	1,075	755	38,000	3.82	8.7	23,000	2.62
3495752	25HPA636A30	CAP**4817A**	58PH*070-16	34,600	29,000	12.3	1,055	925	37,600	3.86	9.0	22,800	2.66
3495753	25HPA636A30	CAP**4817A**	58PH*090-16	35,000	29,200	12.7	1,065	935	37,400	3.91	9.1	22,600	2.72
3514144	25HPA636A30	CAP**4817A**	58VLR105-12	34,800	28,800	12.4	1,065	880	37,600	3.90	9.0	22,800	2.68
3514145	25HPA636A30	CAP**4817A**	58VLR120-20	34,800	28,200	12.7	1,005	765	37,200	3.90	9.0	22,200	2.70
3514164	25HPA636A30	CAP**4817A**	58VMR105-12	34,400	28,400	12.4	1,000	800	37,200	3.82	9.0	22,400	2.66
3514166	25HPA636A30	CAP**4817A**	58VMR120-20	34,600	27,800	12.5	1,000	720	37,200	3.86	8.8	22,400	2.68
3495550	25HPA636A30	CAP**4817A**+TDR	58CV(A,X)070-12	35,200	29,000	11.7	1,260	1,010	39,000	3.88	8.7	24,000	2.64
3495554	25HPA636A30	CAP**4817A**+UI	58CV(A,X)070-12	34,600	28,400	12.4	1,005	805	37,400	3.84	9.0	22,600	2.66
3495555	25HPA636A30	CAP**4817A**+UI	58CV(A,X)090-16	34,600	28,400	12.6	1,005	805	37,200	3.90	9.0	22,400	2.70
3495556	25HPA636A30	CAP**4817A**+UI	58CV(A,X)110-20	34,800	28,400	12.6	1,020	815	37,200	3.90	9.0	22,400	2.70
3495551	25HPA636A30	CAP**4817A**+UI	58MV(B,C)080-14	34,600	28,400	12.4	1,030	825	37,400	3.88	9.0	22,600	2.68
3495552	25HPA636A30	CAP**4817A**+UI	58MV(B,C)080-20	34,600	28,400	12.5	1,010	810	37,400	3.86	9.0	22,400	2.68
3495553	25HPA636A30	CAP**4817A**+UI	58MV(B,C)100-20	34,800	28,600	12.5	1,040	830	37,400	3.90	9.0	22,600	2.70
3495760	25HPA636A30	CAP**4821A**	58MEB040-12	34,800	28,200	12.6	1,080	810	37,400	3.90	9.0	22,400	2.70
3495761	25HPA636A30	CAP**4821A**	58MEB060-12	34,800	28,400	12.5	1,100	820	37,400	3.92	9.0	22,600	2.70
3495762	25HPA636A30	CAP**4821A**	58MEB080-12	34,800	28,000	12.5	1,070	785	37,400	3.90	8.9	22,400	2.70
3495763	25HPA636A30	CAP**4821A**	58MEB080-16	34,800	29,200	12.6	1,095	995	37,400	3.90	9.1	22,600	2.70
3495758	25HPA636A30	CAP**4821A**	58PH*070-16	34,600	28,800	12.2	1,065	935	37,600	3.82	8.8	22,800	2.66
3495759	25HPA636A30	CAP**4821A**	58PH*090-16	34,800	29,000	12.7	1,075	945	37,400	3.92	9.0	22,400	2.72
3514146	25HPA636A30	CAP**4821A**	58VLR105-12	34,600	28,600	12.4	1,065	880	37,400	3.86	9.0	22,600	2.66
3514147	25HPA636A30	CAP**4821A**	58VLR120-20	34,400	28,000	12.6	1,005	765	37,000	3.86	8.8	22,200	2.68
3514168	25HPA636A30	CAP**4821A**	58VMR105-12	34,200	28,200	12.3	975	800	37,000	3.78	8.9	22,200	2.64
3514169	25HPA636A30	CAP**4821A**	58VMR120-20	34,400	27,600	12.4	1,000	720	37,000	3.82	8.7	22,200	2.66
3495557	25HPA636A30	CAP**4821A**+TDR	58CV(A,X)090-16	35,000	28,600	11.6	1,260	1,010	39,000	3.82	8.7	23,800	2.62
3495563	25HPA636A30	CAP**4821A**+UI	58CV(A,X)110-20	34,400	28,200	12.5	1,005	805	37,000	3.84	9.0	22,400	2.68
3495565	25HPA636A30	CAP**4821A**+UI	58CV(A,X)135-22	34,400	28,200	12.6	1,010	810	37,000	3.86	9.0	22,200	2.68
3495566	25HPA636A30	CAP**4821A**+UI	58CV(A,X)155-22	34,600	28,400	12.7	1,015	810	37,000	3.90	9.0	22,200	2.70
3495558	25HPA636A30	CAP**4821A**+UI	58MV(B,C)060-14	34,600	28,400	12.5	1,055	845	37,400	3.88	9.0	22,400	2.68
3495559	25HPA636A30	CAP**4821A**+UI	58MV(B,C)080-14	34,400	28,200	12.3	1,030	825	37,200	3.82	9.0	22,400	2.66
3495560	25HPA636A30	CAP**4821A**+UI	58MV(B,C)080-20	34,400	28,200	12.4	1,010	810	37,200	3.82	9.0	22,400	2.66
3495561	25HPA636A30	CAP**4821A**+UI	58MV(B,C)100-20	34,600	28,400	12.5	1,040	830	37,200	3.86	9.0	22,400	2.68
3495562	25HPA636A30	CAP**4821A**+UI	58MV(B,C)120-20	34,400	28,200	12.6	1,010	810	37,000	3.86	9.0	22,200	2.68
3514153	25HPA636A30	CAP**4821A**+UI	58MV(B,C)040-14	34,200	28,200	12.3	1,000	800	37,200	3.78	8.8	22,400	2.64
3495746	25HPA636A30	CAP**4823A**	58HDV040--12	34,200	28,200	11.8	1,070	825	37,800	3.74	8.7	23,000	2.60
3495747	25HPA636A30	CAP**4823A**	58HDV060--12	34,600	28,000	12.1	1,115	800	37,800	3.84	8.8	23,000	2.64
3495748	25HPA636A30	CAP**4823A**	58HDV080--20	35,200	29,000	12.4	1,200	935	38,000	3.94	9.0	23,000	2.70
3495749	25HPA636A30	CAP**4823A**	58HDV100--20	35,000	28,600	12.5	1,120	885	37,600	3.92	9.0	22,600	2.70
3495764	25HPA636A30	CAP**4824A**	58PH*090-16	35,000	29,000	12.7	1,090	965	37,400	3.94	9.1	22,400	2.72
3514149	25HPA636A30	CAP**4824A**	58VLR120-20	34,400	28,000	12.7	1,005	765	37,000	3.86	8.8	22,200	2.70
3514170	25HPA636A30	CAP**4824A**	58VMR120-20	34,400	27,600	12.5	1,000	720	37,000	3.82	8.8	22,200	2.66
3495567	25HPA636A30	CAP**4824A**+TDR	58CV(A,X)110-20	35,000	28,600	11.6	1,260	1,010	39,000	3.82	8.7	23,800	2.62
3495570	25HPA636A30	CAP**4824A**+UI	58CV(A,X)135-22	34,600	28,200	12.6	1,020	815	37,000	3.86	9.0	22,200	2.68
3495571	25HPA636A30	CAP**4824A**+UI	58CV(A,X)155-22	34,600	28,200	12.7	1,010	810	37,000	3.88	9.0	22,200	2.70
3495572	25HPA636A30	CAP**4824A**+UI	58CV(A,X)155-22	34,600	28,400	12.8	1,015	810	37,000	3.90	9.0	22,200	2.72

See notes on pg. 31



25HPA6

COMBINATION RATINGS CONTINUED

AHRI Ref. No.	Model Number	Coil Model Number	Furnace Model Number	Cooling Capacity		Cooling				AHRI Standard Ratings			
				High	Low	SEER	ID CFM		High Temp		HSPF	Low Temp	
							High	Low	E Capacity	COP		H Capacity	H COP
3495568	25HPA636A30	CAP**4824A**+UI	58MV(B,C)100-20	34,600	28,400	12.5	1,040	830	37,200	3.86	9.2	22,400	2.68
3495569	25HPA636A30	CAP**4824A**+UI	58MV(B,C)120-20	34,400	28,200	12.6	1,010	810	37,000	3.86	9.0	22,200	2.68
3514154	25HPA636A30	CAP**4824A**+UI	58MV(B,C)140-14	34,200	28,000	12.3	1,000	800	37,200	3.80	8.8	22,400	2.64
3495813	25HPA636A30	CNP**3617A**	58MEB040-12	33,800	27,400	12.2	1,045	785	36,800	3.70	8.7	22,200	2.62
3495814	25HPA636A30	CNP**3617A**	58MEB060-12	33,800	27,400	12.1	1,055	795	36,800	3.70	8.7	22,400	2.62
3495815	25HPA636A30	CNP**3617A**	58MEB080-12	33,600	27,200	12.2	1,035	765	36,800	3.68	8.6	22,200	2.62
3495816	25HPA636A30	CNP**3617A**	58MEB080-16	33,800	28,200	12.2	1,055	965	36,800	3.70	8.8	22,400	2.62
3495817	25HPA636A30	CNP**3617A**	58PH*045-08	33,400	27,000	11.5	1,055	740	37,200	3.58	8.5	22,800	2.54
3495818	25HPA636A30	CNP**3617A**	58PH*070-16	33,400	28,000	11.9	1,030	905	37,000	3.62	8.5	22,400	2.56
3495819	25HPA636A30	CNP**3617A**	58PH*090-16	33,800	28,000	12.2	1,035	905	36,600	3.70	8.8	22,200	2.62
3514197	25HPA636A30	CNP**3617A**	58VMR105-12	33,200	27,400	11.9	975	800	36,600	3.60	8.6	22,200	2.56
3514199	25HPA636A30	CNP**3617A**	58VMR120-20	33,400	27,000	12.0	1,000	720	36,600	3.64	8.5	22,200	2.58
3495640	25HPA636A30	CNP**3617A**+TDR	58VMR120-20	33,200	27,200	11.4	1,050	840	37,400	3.54	8.0	22,800	2.52
3495646	25HPA636A30	CNP**3617A**+UI	58CV(A,X)070-12	33,400	26,400	11.9	1,005	660	36,800	3.62	8.8	22,200	2.58
3495647	25HPA636A30	CNP**3617A**+UI	58CV(A,X)090-16	33,600	26,600	12.1	1,020	670	36,600	3.66	8.8	22,000	2.60
3495648	25HPA636A30	CNP**3617A**+UI	58CV(A,X)110-20	33,600	26,600	12.1	1,020	675	36,600	3.68	8.9	22,200	2.60
3495649	25HPA636A30	CNP**3617A**+UI	58CV(A,X)135-22	33,600	26,600	12.2	1,010	675	36,600	3.68	8.8	22,000	2.62
3495850	25HPA636A30	CNP**3617A**+UI	58CV(A,X)155-22	33,600	26,600	12.2	1,015	675	36,600	3.70	8.9	22,000	2.62
3495641	25HPA636A30	CNP**3617A**+UI	58MV(B,C)080-14	33,800	27,000	12.0	1,055	725	36,800	3.68	9.0	22,400	2.60
3495642	25HPA636A30	CNP**3617A**+UI	58MV(B,C)080-14	33,600	26,400	11.9	1,030	660	36,800	3.64	8.8	22,400	2.58
3495643	25HPA636A30	CNP**3617A**+UI	58MV(B,C)080-20	33,400	26,200	12.0	1,010	630	36,800	3.64	8.8	22,200	2.58
3495644	25HPA636A30	CNP**3617A**+UI	58MV(B,C)100-20	33,600	26,400	12.0	1,040	665	36,800	3.68	9.0	22,200	2.60
3495645	25HPA636A30	CNP**3617A**+UI	58MV(B,C)120-20	33,600	26,800	12.1	1,010	690	36,600	3.66	8.8	22,200	2.60
3495820	25HPA636A30	CNP**4221A**	58MEB040-12	34,200	27,800	12.4	1,065	795	37,000	3.80	8.8	22,400	2.66
3495821	25HPA636A30	CNP**4221A**	58MEB060-12	34,400	27,800	12.3	1,080	805	37,200	3.80	8.8	22,400	2.66
3495822	25HPA636A30	CNP**4221A**	58MEB080-12	34,200	27,600	12.3	1,055	770	37,000	3.78	8.8	22,400	2.66
3495823	25HPA636A30	CNP**4221A**	58MEB080-16	34,200	28,800	12.4	1,075	980	37,200	3.78	9.0	22,400	2.66
3495817	25HPA636A30	CNP**4221A**	58PH*045-08	33,800	27,400	11.7	1,070	745	37,600	3.66	8.5	22,800	2.58
3495818	25HPA636A30	CNP**4221A**	58PH*070-16	34,000	28,200	12.0	1,045	915	37,200	3.70	8.8	22,600	2.60
3495819	25HPA636A30	CNP**4221A**	58PH*090-16	34,200	28,400	12.4	1,055	925	37,000	3.80	9.0	22,200	2.66
3514201	25HPA636A30	CNP**4221A**	58VMR105-12	33,600	27,800	12.1	975	800	36,800	3.68	8.7	22,200	2.60
3514202	25HPA636A30	CNP**4221A**	58VMR120-20	33,800	27,200	12.2	1,000	720	36,800	3.72	8.5	22,200	2.62
3495851	25HPA636A30	CNP**4221A**+TDR	58CV(A,X)070-12	33,600	27,600	11.5	1,050	840	37,600	3.62	8.3	23,000	2.54
3495857	25HPA636A30	CNP**4221A**+UI	58CV(A,X)070-12	33,800	26,600	12.1	1,005	660	37,000	3.70	9.0	22,400	2.60
3495858	25HPA636A30	CNP**4221A**+UI	58CV(A,X)090-16	34,000	26,800	12.3	1,005	670	36,800	3.74	9.0	22,200	2.64
3495859	25HPA636A30	CNP**4221A**+UI	58CV(A,X)110-20	34,000	26,800	12.3	1,020	675	36,800	3.76	9.0	22,200	2.64
3495860	25HPA636A30	CNP**4221A**+UI	58CV(A,X)135-22	34,000	26,800	12.4	1,010	675	36,800	3.76	9.0	22,200	2.64
3495861	25HPA636A30	CNP**4221A**+UI	58CV(A,X)155-22	34,200	26,800	12.5	1,015	675	36,800	3.78	9.0	22,000	2.66
3495862	25HPA636A30	CNP**4221A**+UI	58MV(B,C)080-14	34,200	27,200	12.3	1,055	725	37,000	3.76	9.0	22,400	2.64
3495853	25HPA636A30	CNP**4221A**+UI	58MV(B,C)080-14	34,000	26,600	12.1	1,030	660	37,000	3.72	9.0	22,400	2.62
3495854	25HPA636A30	CNP**4221A**+UI	58MV(B,C)080-20	33,800	26,400	12.2	1,010	630	36,800	3.72	9.0	22,200	2.62
3495855	25HPA636A30	CNP**4221A**+UI	58MV(B,C)100-20	34,000	26,800	12.2	1,040	665	37,000	3.76	9.0	22,400	2.64
3495856	25HPA636A30	CNP**4221A**+UI	58MV(B,C)120-20	34,000	27,000	12.3	1,010	690	36,800	3.74	9.0	22,200	2.64
3495827	25HPA636A30	CNP**4821A**	58MEB040-12	35,000	28,400	12.7	1,090	820	37,400	3.94	9.0	22,600	2.72
3495828	25HPA636A30	CNP**4821A**	58MEB060-12	35,000	28,600	12.6	1,115	835	37,600	3.94	9.0	22,600	2.72
3495829	25HPA636A30	CNP**4821A**	58MEB080-12	35,000	28,200	12.6	1,085	795	37,400	3.92	9.0	22,600	2.72

See notes on pg. 31

COMBINATION RATINGS CONTINUED

AHRI Ref. No.	Model Number	Coil Model Number	Furnace Model Number	Cooling Capacity		Cooling				AHRI Standard Ratings			
				High	Low	SEER	ID CFM		High Temp		HSPF	Low Temp	
							High	Low	E Capacity	E COP		H Capacity	H COP
3495830	25HPA636A30	CNPH*4821A**	58MEB080-16	35,400	29,400	12.5	1,230	1,020	38,000	3.98	9.2	23,000	2.72
3495824	25HPA636A30	CNPH*4821A**	58PH*045-08	34,600	28,000	11.9	1,100	765	38,000	3.80	8.7	23,000	2.62
3495825	25HPA636A30	CNPH*4821A**	58PH*070-16	34,800	29,000	12.3	1,080	945	37,600	3.86	9.0	22,800	2.66
3495826	25HPA636A30	CNPH*4821A**	58PH*090-16	35,000	29,200	12.8	1,090	960	37,400	3.94	9.1	22,400	2.72
3514203	25HPA636A30	CNPH*4821A**	58VMR120-20	34,400	27,600	12.5	1,000	720	37,000	3.84	8.8	22,200	2.68
3495862	25HPA636A30	CNPH*4821A**+TDR		34,200	28,000	11.7	1,050	840	38,000	3.70	8.5	22,400	2.58
3495867	25HPA636A30	CNPH*4821A**+UI	58CV(A,X)070-12	34,400	28,400	12.4	1,005	805	37,200	3.82	9.2	22,400	2.66
3495868	25HPA636A30	CNPH*4821A**+UI	58CV(A,X)090-16	34,600	28,400	12.6	1,005	805	37,000	3.86	9.3	22,200	2.70
3495869	25HPA636A30	CNPH*4821A**+UI	58CV(A,X)110-20	34,600	28,400	12.6	1,020	815	37,000	3.88	9.3	22,200	2.70
3495870	25HPA636A30	CNPH*4821A**+UI	58CV(A,X)135-22	34,600	28,400	12.7	1,010	810	37,000	3.88	9.3	22,200	2.70
3495871	25HPA636A30	CNPH*4821A**+UI	58CV(A,X)155-22	34,800	28,400	12.9	1,015	810	37,000	3.92	9.3	22,200	2.72
3495863	25HPA636A30	CNPH*4821A**+UI	58MV(B,C)060-14	34,800	27,600	12.6	1,055	725	37,200	3.90	9.0	22,400	2.70
3495864	25HPA636A30	CNPH*4821A**+UI	58MV(B,C)080-14	34,600	27,000	12.4	1,030	660	37,200	3.84	9.0	22,400	2.68
3495865	25HPA636A30	CNPH*4821A**+UI	58MV(B,C)100-20	34,600	28,600	12.6	1,040	830	37,200	3.88	9.3	22,400	2.70
3495866	25HPA636A30	CNPH*4821A**+UI	58MV(B,C)120-20	34,600	28,400	12.7	1,010	810	37,000	3.88	9.3	22,200	2.70
3495768	25HPA636A30	CNPV*3617A**	58MEB040-12	33,800	27,400	12.2	1,045	780	36,800	3.70	8.7	22,200	2.62
3495769	25HPA636A30	CNPV*3617A**	58MEB060-12	33,800	27,400	12.1	1,055	795	36,800	3.70	8.8	22,400	2.62
3495770	25HPA636A30	CNPV*3617A**	58MEB080-12	33,600	27,200	12.2	1,035	765	36,800	3.68	8.6	22,200	2.62
3495771	25HPA636A30	CNPV*3617A**	58MEB080-16	33,800	28,200	12.2	1,055	965	36,800	3.70	9.0	22,400	2.62
3495765	25HPA636A30	CNPV*3617A**	58PH*045-08	33,400	27,000	11.5	1,055	740	37,200	3.58	8.5	22,800	2.54
3495766	25HPA636A30	CNPV*3617A**	58PH*070-16	33,400	28,000	11.9	1,030	905	37,000	3.62	8.7	22,400	2.56
3495767	25HPA636A30	CNPV*3617A**	58PH*090-16	33,800	28,000	12.2	1,035	905	36,600	3.70	8.8	22,200	2.62
3514157	25HPA636A30	CNPV*3617A**	58VLR105-12	33,600	27,800	11.9	1,065	880	37,000	3.66	8.7	22,400	2.60
3514159	25HPA636A30	CNPV*3617A**	58VLR120-20	33,600	27,200	12.3	1,005	765	36,600	3.68	8.6	22,000	2.62
3514176	25HPA636A30	CNPV*3617A**	58VMR105-12	33,200	27,400	11.9	975	800	36,600	3.60	8.6	22,200	2.56
3514177	25HPA636A30	CNPV*3617A**	58VMR120-20	33,400	27,000	12.0	1,000	720	36,600	3.64	8.5	22,200	2.58
3495573	25HPA636A30	CNPV*3617A**+TDR		33,800	27,800	11.3	1,200	960	38,000	3.64	8.5	23,400	2.54
3495578	25HPA636A30	CNPV*3617A**+UI	58CV(A,X)070-12	33,400	27,400	12.0	1,005	805	36,800	3.62	8.8	22,200	2.58
3495579	25HPA636A30	CNPV*3617A**+UI	58CV(A,X)090-16	33,600	27,600	12.2	1,005	805	36,600	3.66	8.8	22,000	2.60
3495580	25HPA636A30	CNPV*3617A**+UI	58CV(A,X)110-20	33,600	27,600	12.2	1,020	815	36,600	3.68	8.9	22,200	2.60
3495574	25HPA636A30	CNPV*3617A**+UI	58MV(B,C)060-14	33,800	27,800	12.1	1,055	845	37,000	3.68	9.0	22,400	2.60
3495575	25HPA636A30	CNPV*3617A**+UI	58MV(B,C)080-14	33,600	27,600	11.9	1,030	825	36,800	3.64	8.8	22,400	2.58
3495576	25HPA636A30	CNPV*3617A**+UI	58MV(B,C)080-20	33,400	27,400	12.0	1,010	810	36,800	3.64	8.8	22,200	2.58
3495577	25HPA636A30	CNPV*3617A**+UI	58MV(B,C)100-20	33,600	27,600	12.1	1,040	830	36,800	3.68	9.0	22,200	2.60
3495774	25HPA636A30	CNPV*3621A**	58MEB040-12	33,800	27,400	12.2	1,050	785	36,800	3.70	8.8	22,200	2.62
3495775	25HPA636A30	CNPV*3621A**	58MEB060-12	33,800	27,600	12.2	1,065	800	36,800	3.70	8.7	22,400	2.62
3495776	25HPA636A30	CNPV*3621A**	58MEB080-12	33,800	27,200	12.2	1,040	765	36,800	3.70	8.7	22,200	2.62
3495777	25HPA636A30	CNPV*3621A**	58MEB080-16	33,800	28,400	12.2	1,065	970	36,800	3.70	9.0	22,400	2.62
3495772	25HPA636A30	CNPV*3621A**	58PH*070-16	33,600	28,000	11.9	1,035	905	37,000	3.62	8.7	22,400	2.58
3495773	25HPA636A30	CNPV*3621A**	58PH*090-16	33,800	28,000	12.2	1,045	910	36,800	3.72	9.0	22,200	2.62
3514165	25HPA636A30	CNPV*3621A**	58VLR105-12	33,800	27,800	12.0	1,065	880	37,000	3.66	8.7	22,400	2.60
3514167	25HPA636A30	CNPV*3621A**	58VLR120-20	33,600	27,200	12.3	1,005	765	36,600	3.68	8.6	22,000	2.62
3514178	25HPA636A30	CNPV*3621A**	58VMR105-12	33,200	27,400	12.0	975	800	36,600	3.60	8.6	22,200	2.56
3514180	25HPA636A30	CNPV*3621A**	58VMR120-20	33,400	27,000	12.1	1,000	720	36,600	3.64	8.5	22,200	2.60
3495581	25HPA636A30	CNPV*3621A**+TDR		33,800	27,800	11.3	1,200	960	38,000	3.64	8.5	23,400	2.54
3495585	25HPA636A30	CNPV*3621A**+UI	58CV(A,X)110-20	33,600	26,600	12.1	1,020	675	36,600	3.68	9.1	22,200	2.60

See notes on pg. 31



25HPA6

25HPA6

COMBINATION RATINGS CONTINUED

AHRI Ref. No.	Model Number	Coil Model Number	Furnace Model Number	Cooling Capacity		Cooling				AHRI Standard Ratings				
				High	Low	SEER	ID CFM		High Temp		HSPF	Low Temp		
							High	Low	E Capacity	E COP		H Capacity	H COP	
3495842	25HPA636A30	CNPV*3621A**+UI	58MV(B,C)060-14	33,800	27,800	12.1	15.0	1,055	845	36,800	3.68	8.8	22,400	2.60
3495582	25HPA636A30	CNPV*3621A**+UI	58MV(B,C)080-14	33,600	27,600	12.0	15.0	1,030	825	36,800	3.64	8.8	22,400	2.58
3495583	25HPA636A30	CNPV*3621A**+UI	58MV(B,C)080-20	33,600	27,600	12.0	15.0	1,010	810	36,600	3.64	8.8	22,200	2.58
3495584	25HPA636A30	CNPV*3621A**+UI	58MV(B,C)100-20	33,600	27,600	12.1	15.0	1,040	830	36,800	3.68	9.0	22,200	2.60
3514173	25HPA636A30	CNPV*3717A**	58VLR105-12	35,200	29,000	12.5	15.5	1,065	880	37,800	3.94	9.0	22,800	2.70
3514175	25HPA636A30	CNPV*3717A**	58VLR120-20	35,000	28,400	12.8	16.0	1,005	765	37,200	3.96	9.0	22,400	2.72
3514182	25HPA636A30	CNPV*3717A**	58VMR105-12	34,600	28,400	12.5	15.5	975	800	37,200	3.86	9.0	22,400	2.68
3514183	25HPA636A30	CNPV*3717A**	58VMR120-20	34,800	28,000	12.6	15.5	1,000	720	37,400	3.90	8.8	22,400	2.70
3495788	25HPA636A30	CNPV*4217A**	58MEB040-12	34,600	28,000	12.5	15.5	1,060	795	37,200	3.84	9.0	22,400	2.68
3495789	25HPA636A30	CNPV*4217A**	58MEB060-12	34,600	28,200	12.4	15.5	1,075	805	37,400	3.84	9.0	22,600	2.68
3495790	25HPA636A30	CNPV*4217A**	58MEB080-12	34,400	27,800	12.4	15.5	1,050	775	37,200	3.84	9.0	22,400	2.68
3495791	25HPA636A30	CNPV*4217A**	58MEB080-16	34,600	29,000	12.5	15.5	1,075	980	37,400	3.84	9.0	22,600	2.68
3495785	25HPA636A30	CNPV*4217A**	58PH*045-08	34,200	27,600	11.8	15.0	1,070	745	37,600	3.72	8.6	23,000	2.60
3495786	25HPA636A30	CNPV*4217A**	58PH*070-16	34,200	28,600	12.1	15.0	1,045	915	37,400	3.76	9.0	22,600	2.62
3495787	25HPA636A30	CNPV*4217A**	58PH*090-16	34,600	28,600	12.6	15.5	1,055	925	37,200	3.84	9.0	22,400	2.68
3514179	25HPA636A30	CNPV*4217A**	58VLR105-12	34,400	28,400	12.3	15.0	1,065	880	37,400	3.80	8.8	22,600	2.64
3514181	25HPA636A30	CNPV*4217A**	58VLR120-20	34,400	27,800	12.5	15.5	1,005	765	36,800	3.82	8.9	22,200	2.68
3514184	25HPA636A30	CNPV*4217A**	58VMR105-12	34,000	28,000	12.2	15.0	975	800	37,000	3.72	8.8	22,200	2.62
3514186	25HPA636A30	CNPV*4217A**	58VMR120-20	34,200	27,400	12.3	15.0	1,000	720	37,000	3.78	8.6	22,200	2.64
3495594	25HPA636A30	CNPV*4217A**+TDR	58VLR105-12	34,000	27,800	11.6	13.5	1,050	840	37,800	3.66	8.4	23,000	2.56
3495599	25HPA636A30	CNPV*4217A**+UI	58CV(A,X)070-12	34,200	26,800	12.2	15.0	1,005	660	37,000	3.70	9.0	22,400	2.62
3495600	25HPA636A30	CNPV*4217A**+UI	58CV(A,X)090-16	34,200	27,000	12.4	15.5	1,005	670	37,000	3.80	9.0	22,200	2.66
3495601	25HPA636A30	CNPV*4217A**+UI	58CV(A,X)110-20	34,400	27,000	12.4	15.5	1,020	675	37,000	3.80	9.0	22,400	2.66
3495595	25HPA636A30	CNPV*4217A**+UI	58MV(B,C)060-14	34,400	27,400	12.3	15.5	1,055	725	37,200	3.82	9.0	22,400	2.66
3495596	25HPA636A30	CNPV*4217A**+UI	58MV(B,C)080-14	34,200	26,800	12.2	15.0	1,030	660	37,200	3.78	9.1	22,400	2.64
3495597	25HPA636A30	CNPV*4217A**+UI	58MV(B,C)080-20	34,200	26,600	12.3	15.0	1,010	630	37,000	3.78	9.0	22,400	2.64
3495598	25HPA636A30	CNPV*4217A**+UI	58MV(B,C)100-20	34,400	27,000	12.3	15.0	1,040	665	37,200	3.80	9.0	22,400	2.66
3495794	25HPA636A30	CNPV*4221A**	58MEB040-12	34,200	27,800	12.4	15.5	1,065	790	37,000	3.80	9.0	22,400	2.66
3495795	25HPA636A30	CNPV*4221A**	58MEB060-12	34,400	27,800	12.3	15.5	1,080	805	37,200	3.80	9.0	22,400	2.66
3495796	25HPA636A30	CNPV*4221A**	58MEB080-12	34,200	27,600	12.3	15.5	1,055	770	37,000	3.78	8.8	22,400	2.66
3495797	25HPA636A30	CNPV*4221A**	58MEB080-16	34,200	28,800	12.4	15.0	1,075	980	37,200	3.78	9.0	22,400	2.66
3495792	25HPA636A30	CNPV*4221A**	58PH*070-16	34,000	28,200	12.0	14.5	1,045	915	37,200	3.70	9.0	22,600	2.60
3495793	25HPA636A30	CNPV*4221A**	58PH*090-16	34,200	28,400	12.4	15.0	1,055	925	37,000	3.80	9.0	22,200	2.66
3514185	25HPA636A30	CNPV*4221A**	58VLR105-12	34,200	28,200	12.2	15.0	1,065	880	37,200	3.74	8.9	22,600	2.62
3514187	25HPA636A30	CNPV*4221A**	58VLR120-20	34,000	27,600	12.4	15.0	1,005	765	36,800	3.76	8.7	22,000	2.66
3514188	25HPA636A30	CNPV*4221A**	58VMR105-12	33,600	27,600	12.1	15.0	975	800	36,800	3.68	8.7	22,000	2.60
3514189	25HPA636A30	CNPV*4221A**	58VMR120-20	33,800	27,200	12.2	15.0	1,000	720	36,800	3.72	8.6	22,200	2.62
3495602	25HPA636A30	CNPV*4221A**+TDR	58VLR105-12	33,600	27,600	11.5	13.5	1,050	840	37,600	3.62	8.3	23,000	2.54
3495608	25HPA636A30	CNPV*4221A**+UI	58CV(A,X)090-16	34,000	26,800	12.3	15.0	1,005	670	36,800	3.74	9.0	22,200	2.64
3495609	25HPA636A30	CNPV*4221A**+UI	58CV(A,X)110-20	34,000	26,800	12.3	15.0	1,020	675	36,800	3.76	9.0	22,200	2.64
3495610	25HPA636A30	CNPV*4221A**+UI	58CV(A,X)135-22	34,000	26,800	12.4	15.0	1,010	675	36,800	3.76	9.0	22,200	2.64
3495611	25HPA636A30	CNPV*4221A**+UI	58CV(A,X)155-22	34,200	26,800	12.5	15.0	1,015	675	36,800	3.78	9.0	22,000	2.66
3495603	25HPA636A30	CNPV*4221A**+UI	58MV(B,C)060-14	34,200	27,200	12.3	15.5	1,055	725	37,000	3.76	9.0	22,400	2.64
3495604	25HPA636A30	CNPV*4221A**+UI	58MV(B,C)080-14	34,000	26,600	12.1	15.0	1,030	660	37,000	3.72	9.0	22,400	2.62
3495605	25HPA636A30	CNPV*4221A**+UI	58MV(B,C)080-20	33,800	26,400	12.2	15.0	1,010	630	36,800	3.72	9.0	22,200	2.62
3495606	25HPA636A30	CNPV*4221A**+UI	58MV(B,C)100-20	34,000	26,800	12.2	15.0	1,040	665	37,000	3.76	9.0	22,400	2.64

See notes on pg. 31

COMBINATION RATINGS CONTINUED

AHRI Ref. No.	Model Number	Coil Model Number	Furnace Model Number	Cooling Capacity		Cooling				AHRI Standard Ratings				
				High	Low	SEER	ID CFM		High Temp		HSPF	Low Temp		
							High	Low	E Capacity	E COP		H Capacity	H COP	
3495607	25HPA636A30	CNPV*4221A**+UI	58MV(B,C)120-20	34,000	27,000	12.3	15.0	1,010	690	36,800	3.74	9.0	22,200	2.84
3514191	25HPA636A30	CNPV*4321A**	58VLR105-12	35,200	29,000	12.6	15.5	1,065	680	37,800	3.96	9.0	22,800	2.72
3514193	25HPA636A30	CNPV*4321A**	58VLR120-20	35,000	28,400	12.9	16.0	1,005	765	37,200	3.96	9.0	22,400	2.74
3514190	25HPA636A30	CNPV*4321A**	58VMR105-12	34,600	28,600	12.6	15.5	975	800	37,200	3.88	9.0	22,400	2.68
3514192	25HPA636A30	CNPV*4321A**	58VMR120-20	34,800	28,000	12.7	15.5	1,000	720	37,400	3.92	8.8	22,400	2.70
3495805	25HPA636A30	CNPV*4821A**	58MEB040-12	35,000	28,400	12.5	16.0	1,090	820	37,400	3.94	9.0	22,600	2.72
3495806	25HPA636A30	CNPV*4821A**	58MEB060-12	35,000	28,600	12.6	16.0	1,115	835	37,600	3.94	9.0	22,600	2.72
3495807	25HPA636A30	CNPV*4821A**	58MEB080-12	35,000	28,200	12.6	16.0	1,085	795	37,400	3.92	9.0	22,600	2.72
3495808	25HPA636A30	CNPV*4821A**	58MEB080-16	35,400	29,400	12.5	15.5	1,230	1,020	38,000	3.98	9.2	23,000	2.72
3495803	25HPA636A30	CNPV*4821A**	58PH*070-16	34,800	29,000	12.3	15.0	1,080	945	37,600	3.86	9.0	22,800	2.66
3495804	25HPA636A30	CNPV*4821A**	58PH*090-16	35,000	29,200	12.8	15.5	1,090	960	37,400	3.94	9.0	22,400	2.72
3514198	25HPA636A30	CNPV*4821A**	58VLR105-12	34,800	28,600	12.5	15.5	1,065	880	37,400	3.88	9.0	22,600	2.68
3514200	25HPA636A30	CNPV*4821A**	58VLR120-20	34,600	28,000	12.7	15.5	1,005	765	37,000	3.88	9.0	22,200	2.70
3514194	25HPA636A30	CNPV*4821A**	58VMR105-12	34,200	28,200	12.5	15.5	975	800	37,000	3.80	9.0	22,200	2.66
3514195	25HPA636A30	CNPV*4821A**	58VMR120-20	34,400	27,600	12.5	15.5	1,000	720	37,000	3.84	8.8	22,200	2.68
3495622	25HPA636A30	CNPV*4821A**+TDR	58CV(A,X)090-16	34,200	28,000	11.7	14.0	1,050	840	38,000	3.70	8.5	23,200	2.58
3495628	25HPA636A30	CNPV*4821A**+UI	58CV(A,X)110-20	34,600	27,200	12.6	15.5	1,005	670	37,000	3.86	9.1	22,200	2.70
3495629	25HPA636A30	CNPV*4821A**+UI	58CV(A,X)135-22	34,600	27,200	12.6	15.5	1,020	675	37,000	3.88	9.1	22,200	2.70
3495630	25HPA636A30	CNPV*4821A**+UI	58CV(A,X)155-22	34,600	27,200	12.7	15.5	1,010	675	37,000	3.88	9.1	22,200	2.70
3495631	25HPA636A30	CNPV*4821A**+UI	58CV(A,X)155-22	34,800	27,200	12.8	15.5	1,015	675	37,000	3.92	9.1	22,200	2.72
3495623	25HPA636A30	CNPV*4821A**+UI	58MV(B,C)080-14	34,800	27,600	12.6	15.5	1,055	725	37,200	3.90	9.1	22,400	2.70
3495624	25HPA636A30	CNPV*4821A**+UI	58MV(B,C)080-14	34,600	27,000	12.4	15.5	1,030	660	37,200	3.84	9.3	22,400	2.68
3495625	25HPA636A30	CNPV*4821A**+UI	58MV(B,C)080-20	34,400	26,800	12.5	15.0	1,010	630	37,200	3.84	9.1	22,400	2.68
3495626	25HPA636A30	CNPV*4821A**+UI	58MV(B,C)100-20	34,600	27,200	12.5	15.5	1,040	665	37,200	3.88	9.1	22,400	2.70
3495627	25HPA636A30	CNPV*4821A**+UI	58MV(B,C)120-20	34,600	27,400	12.6	15.5	1,010	690	37,000	3.88	9.1	22,200	2.70
3495809	25HPA636A30	CNPV*4824A**	58PH*090-16	35,000	29,200	12.8	15.5	1,090	960	37,400	3.94	9.0	22,400	2.72
3514205	25HPA636A30	CNPV*4824A**	58VLR120-20	34,600	28,000	12.7	15.5	1,005	765	37,000	3.88	9.0	22,200	2.70
3514196	25HPA636A30	CNPV*4824A**	58VMR120-20	34,400	27,600	12.5	15.5	1,000	720	37,000	3.84	8.8	22,200	2.68
3495632	25HPA636A30	CNPV*4824A**+TDR	58CV(A,X)110-20	34,200	28,000	11.7	14.0	1,050	840	38,000	3.70	8.5	23,200	2.58
3495637	25HPA636A30	CNPV*4824A**+UI	58CV(A,X)135-22	34,600	27,200	12.6	15.5	1,020	675	37,000	3.88	9.1	22,200	2.70
3495638	25HPA636A30	CNPV*4824A**+UI	58CV(A,X)155-22	34,600	27,200	12.7	15.5	1,010	675	37,000	3.88	9.1	22,200	2.70
3495639	25HPA636A30	CNPV*4824A**+UI	58CV(A,X)155-22	34,800	27,200	12.8	15.5	1,015	675	37,000	3.92	9.1	22,200	2.72
3495633	25HPA636A30	CNPV*4824A**+UI	58MV(B,C)080-14	34,600	27,000	12.4	15.5	1,030	660	37,200	3.84	9.0	22,400	2.68
3495634	25HPA636A30	CNPV*4824A**+UI	58MV(B,C)080-20	34,400	26,800	12.5	15.0	1,010	630	37,200	3.84	9.0	22,400	2.68
3495635	25HPA636A30	CNPV*4824A**+UI	58MV(B,C)100-20	34,600	27,200	12.5	15.5	1,040	665	37,200	3.88	9.1	22,400	2.70
3495636	25HPA636A30	CNPV*4824A**+UI	58MV(B,C)120-20	34,600	27,400	12.6	15.5	1,010	690	37,000	3.88	9.1	22,200	2.70
3495834	25HPA636A30	CSPH*3612A**	58MEB040-12	34,800	28,200	12.5	15.5	1,085	790	37,200	3.86	8.8	22,400	2.68
3495835	25HPA636A30	CSPH*3612A**	58MEB060-12	34,800	28,200	12.5	15.5	1,080	805	37,400	3.86	9.0	22,600	2.68
3495836	25HPA636A30	CSPH*3612A**	58MEB080-12	34,600	28,000	12.5	15.5	1,055	770	37,200	3.86	8.8	22,400	2.68
3495837	25HPA636A30	CSPH*3612A**	58MEB080-16	34,800	29,200	12.5	15.5	1,080	980	37,400	3.86	9.0	22,600	2.68
3495831	25HPA636A30	CSPH*3612A**	58PH*045-08	34,400	27,600	11.9	15.0	1,075	745	37,800	3.74	8.5	23,000	2.60
3495832	25HPA636A30	CSPH*3612A**	58PH*070-16	34,400	28,600	12.2	15.0	1,045	915	37,400	3.78	8.8	22,600	2.64
3495833	25HPA636A30	CSPH*3612A**	58PH*090-16	34,800	28,800	12.6	15.5	1,060	925	37,200	3.88	9.0	22,400	2.70
3514204	25HPA636A30	CSPH*3612A**	58VMR105-12	34,200	28,200	12.3	15.0	975	800	37,000	3.74	8.8	22,200	2.62
3514206	25HPA636A30	CSPH*3612A**	58VMR120-20	34,400	27,600	12.4	15.0	1,000	720	37,000	3.78	8.7	22,400	2.66
3495672	25HPA636A30	CSPH*3612A**+TDR	58CV(A,X)110-20	34,200	27,800	11.6	14.0	1,050	840	37,800	3.68	8.3	23,000	2.56

See notes on pg. 31



25HPA6

25HPA6

COMBINATION RATINGS CONTINUED

AHRI Ref. No.	Model Number	Coil Model Number	Furnace Model Number	Cooling Capacity		Cooling				AHRI Standard Ratings				
				High	Low	SEER	ID CFM		High Temp		HSPF	Low Temp		
							High	Low	E Capacity	E COP		H Capacity	H COP	
3495678	25HPA636A30	CSPH*3612A**+UI	58CV(A,X)070-12	34,200	28,200	12.3	16.0	1,005	805	37,200	3.76	9.1	22,400	2.84
3495679	25HPA636A30	CSPH*3612A**+UI	58CV(A,X)090-16	34,400	28,200	12.5	16.0	1,005	805	37,000	3.82	9.1	22,200	2.86
3495680	25HPA636A30	CSPH*3612A**+UI	58CV(A,X)110-20	34,600	28,400	12.5	16.0	1,020	815	37,000	3.82	9.1	22,400	2.88
3495681	25HPA636A30	CSPH*3612A**+UI	58CV(A,X)135-22	34,400	28,400	12.6	16.0	1,010	810	37,000	3.82	9.1	22,200	2.88
3495682	25HPA636A30	CSPH*3612A**+UI	58CV(A,X)155-22	34,600	28,400	12.7	16.0	1,015	810	37,000	3.86	9.2	22,200	2.70
3495673	25HPA636A30	CSPH*3612A**+UI	58MV(B,C)060-14	34,600	28,600	12.4	16.0	1,055	845	37,200	3.84	9.1	22,600	2.68
3495674	25HPA636A30	CSPH*3612A**+UI	58MV(B,C)080-14	34,400	28,400	12.3	16.0	1,030	825	37,200	3.80	9.1	22,600	2.64
3495675	25HPA636A30	CSPH*3612A**+UI	58MV(B,C)080-20	34,400	28,400	12.4	16.0	1,010	810	37,000	3.78	9.1	22,400	2.64
3495676	25HPA636A30	CSPH*3612A**+UI	58MV(B,C)100-20	34,600	28,400	12.4	16.0	1,040	830	37,200	3.82	9.3	22,400	2.66
3495677	25HPA636A30	CSPH*3612A**+UI	58MV(B,C)120-20	34,400	28,400	12.5	16.0	1,010	810	37,000	3.82	9.2	22,200	2.66
3495841	25HPA636A30	CSPH*4212A**	58MEB040-12	35,000	28,400	12.7	16.0	1,075	800	37,400	3.92	9.0	22,600	2.72
3495838	25HPA636A30	CSPH*4212A**	58PH*045-08	34,600	27,800	11.9	15.0	1,080	750	37,800	3.78	8.6	23,000	2.82
3495839	25HPA636A30	CSPH*4212A**	58PH*070-16	34,800	29,000	12.3	15.0	1,060	925	37,600	3.84	9.0	22,800	2.66
3495840	25HPA636A30	CSPH*4212A**	58PH*090-16	35,000	29,000	12.7	15.5	1,070	935	37,400	3.92	9.0	22,400	2.72
3514207	25HPA636A30	CSPH*4212A**	58VMR105-12	34,400	28,200	12.4	15.5	975	800	37,000	3.78	8.9	22,400	2.64
3514208	25HPA636A30	CSPH*4212A**	58VMR120-20	34,600	27,800	12.5	15.5	1,000	720	37,000	3.82	8.7	22,400	2.66
3495683	25HPA636A30	CSPH*4212A**+TDR	58MV(B,C)080-14	34,600	28,000	11.7	14.0	1,050	840	38,000	3.70	8.6	23,200	2.58
3495689	25HPA636A30	CSPH*4212A**+UI	58CV(A,X)070-12	34,600	28,400	12.4	16.0	1,005	805	37,200	3.80	9.1	22,400	2.66
3495690	25HPA636A30	CSPH*4212A**+UI	58CV(A,X)090-16	34,600	28,400	12.6	16.0	1,005	805	37,000	3.86	9.2	22,200	2.68
3495691	25HPA636A30	CSPH*4212A**+UI	58CV(A,X)110-20	34,800	28,600	12.6	16.0	1,020	815	37,200	3.86	9.3	22,400	2.68
3495692	25HPA636A30	CSPH*4212A**+UI	58CV(A,X)135-22	34,800	28,400	12.7	16.0	1,010	810	37,000	3.88	9.2	22,200	2.70
3495693	25HPA636A30	CSPH*4212A**+UI	58CV(A,X)155-22	34,800	28,600	12.8	16.0	1,015	810	37,000	3.90	9.2	22,200	2.72
3495684	25HPA636A30	CSPH*4212A**+UI	58MV(B,C)060-14	34,800	28,800	12.6	16.0	1,055	845	37,400	3.88	9.2	22,600	2.70
3495685	25HPA636A30	CSPH*4212A**+UI	58MV(B,C)080-14	34,600	28,600	12.4	16.0	1,030	825	37,400	3.84	9.1	22,600	2.66
3495686	25HPA636A30	CSPH*4212A**+UI	58MV(B,C)080-20	34,600	28,400	12.5	16.0	1,010	810	37,200	3.84	9.2	22,400	2.66
3495687	25HPA636A30	CSPH*4212A**+UI	58MV(B,C)100-20	34,800	28,600	12.5	16.0	1,040	830	37,200	3.86	9.2	22,400	2.68
3495688	25HPA636A30	CSPH*4212A**+UI	58MV(B,C)120-20	34,600	28,400	12.6	16.0	1,010	810	37,000	3.86	9.2	22,200	2.68
3514209	25HPA636A30	CSPH*4812A**	58VMR105-12	34,600	28,400	12.5	15.5	975	800	37,200	3.80	9.0	22,400	2.66
3495694	25HPA636A30	CSPH*4812A**+TDR	58MV(B,C)080-14	34,400	28,200	11.7	14.0	1,050	840	38,000	3.74	8.5	23,200	2.58
3495700	25HPA636A30	CSPH*4812A**+UI	58CV(A,X)070-12	34,600	28,600	12.4	16.0	1,005	805	37,200	3.84	9.1	22,400	2.66
3495701	25HPA636A30	CSPH*4812A**+UI	58CV(A,X)090-16	34,800	28,600	12.7	16.0	1,005	805	37,000	3.88	9.3	22,400	2.70
3495702	25HPA636A30	CSPH*4812A**+UI	58CV(A,X)110-20	34,800	28,600	12.7	16.0	1,020	815	37,200	3.90	9.3	22,400	2.70
3495704	25HPA636A30	CSPH*4812A**+UI	58CV(A,X)135-22	34,800	28,600	12.7	16.0	1,010	810	37,200	3.90	9.3	22,200	2.70
3495705	25HPA636A30	CSPH*4812A**+UI	58CV(A,X)155-22	35,000	28,600	12.9	16.5	1,015	810	37,000	3.92	9.3	22,200	2.72
3495695	25HPA636A30	CSPH*4812A**+UI	58MV(B,C)060-14	35,000	28,800	12.6	16.0	1,055	845	37,400	3.90	9.3	22,600	2.70
3495696	25HPA636A30	CSPH*4812A**+UI	58MV(B,C)080-14	34,800	28,800	12.5	16.0	1,030	825	37,400	3.86	9.3	22,600	2.68
3495697	25HPA636A30	CSPH*4812A**+UI	58MV(B,C)080-20	34,800	28,600	12.6	16.0	1,010	810	37,200	3.86	9.1	22,400	2.68
3495698	25HPA636A30	CSPH*4812A**+UI	58MV(B,C)100-20	35,000	28,800	12.6	16.0	1,040	830	37,400	3.90	9.3	22,600	2.70
3495699	25HPA636A30	CSPH*4812A**+UI	58MV(B,C)120-20	34,800	28,600	12.7	16.0	1,010	810	37,200	3.88	9.3	22,400	2.70
3495843	25HPA648A30	†FV4CN(B,F)005		47,000	39,000	12.6	16.0	1,400	1,120	48,000	3.60	9.0	29,400	2.80
3495876	25HPA648A30	FE4AN(B,F)005+UI		47,000	39,000	12.6	16.0	1,400	1,120	48,000	3.62	9.1	29,400	2.80
3495977	25HPA648A30	FE4ANB006+UI		48,000	39,500	12.9	16.5	1,400	1,120	48,000	3.74	9.5	29,800	2.90
3495978	25HPA648A30	FV4CNB006		48,000	39,500	12.9	16.5	1,400	1,120	48,000	3.74	9.7	29,800	2.90
3514220	25HPA648A30	CAP**4817A**	58MEB080-16	46,500	38,500	11.9	15.0	1,415	1,095	48,500	3.54	9.0	30,200	2.74
3514221	25HPA648A30	CAP**4817A**	58MEB100-20	46,500	38,000	12.2	15.5	1,365	1,040	48,000	3.58	8.8	29,600	2.76

See notes on pg. 31

COMBINATION RATINGS CONTINUED

AHRI Ref. No.	Model Number	Coil Model Number	Furnace Model Number	Cooling Capacity		Cooling				AHRI Standard Ratings				
				High	Low	SEER	ID CFM		High Temp		HSPF	Low Temp		
							High	Low	E Capacity	E COP		H Capacity	H COP	
3514210	25HPA648A30	CAP**4817A**	58VLR120-20	46,000	38,500	12.1	15.0	1,350	1,170	48,000	3.56	9.0	29,600	2.74
3514233	25HPA648A30	CAP**4817A**	58VMR120-20	46,000	38,500	11.9	15.0	1,355	1,155	48,500	3.52	9.0	29,800	2.72
3495844	25HPA648A30	CAP**4817A**+TDR		46,000	38,000	11.7	14.0	1,400	1,120	48,500	3.50	8.7	30,200	2.70
3495847	25HPA648A30	CAP**4817A**+UI	58CV(A,X)090-16	46,000	38,500	12.0	16.0	1,345	1,075	48,000	3.54	9.2	29,600	2.72
3495848	25HPA648A30	CAP**4817A**+UI	58CV(A,X)110-20	46,000	38,500	12.0	16.0	1,355	1,085	48,000	3.54	9.2	29,600	2.72
3495845	25HPA648A30	CAP**4817A**+UI	58MV(B,C)080-20	46,000	38,500	11.9	16.0	1,310	1,050	48,000	3.50	9.0	29,600	2.70
3495846	25HPA648A30	CAP**4817A**+UI	58MV(B,C)100-20	46,000	38,500	11.8	15.5	1,395	1,115	48,500	3.52	9.0	30,000	2.72
3514222	25HPA648A30	CAP**4821A**	58MEB080-16	46,000	38,000	11.8	15.0	1,430	1,105	48,500	3.50	8.8	29,800	2.70
3514223	25HPA648A30	CAP**4821A**	58MEB100-20	46,000	37,800	12.2	15.5	1,385	1,050	48,000	3.54	9.0	29,400	2.74
3514224	25HPA648A30	CAP**4821A**	58MEB120-20	46,000	39,000	12.3	15.5	1,400	1,240	48,000	3.58	9.0	29,400	2.76
3514211	25HPA648A30	CAP**4821A**	58VLR120-20	46,000	38,500	12.1	15.0	1,350	1,170	48,000	3.52	8.9	29,200	2.72
3514234	25HPA648A30	CAP**4821A**	58VMR120-20	45,500	38,500	11.9	15.0	1,355	1,155	48,000	3.50	8.8	29,400	2.70
3495849	25HPA648A30	CAP**4821A**+TDR		45,500	37,600	11.6	14.0	1,400	1,120	48,500	3.44	8.5	30,000	2.66
3495853	25HPA648A30	CAP**4821A**+UI	58CV(A,X)090-16	45,500	38,000	12.0	16.0	1,345	1,075	48,000	3.50	9.0	29,400	2.70
3495854	25HPA648A30	CAP**4821A**+UI	58CV(A,X)110-20	46,000	38,000	12.0	16.0	1,355	1,085	48,000	3.52	9.1	29,400	2.72
3495855	25HPA648A30	CAP**4821A**+UI	58CV(A,X)135-22	46,000	38,500	12.2	16.0	1,355	1,085	48,000	3.54	9.1	29,200	2.74
3495856	25HPA648A30	CAP**4821A**+UI	58CV(A,X)155-22	46,000	38,500	12.3	16.5	1,365	1,090	47,500	3.56	9.2	29,200	2.76
3495850	25HPA648A30	CAP**4821A**+UI	58MV(B,C)080-20	45,500	38,000	11.8	16.0	1,310	1,050	48,000	3.46	9.0	29,400	2.68
3495851	25HPA648A30	CAP**4821A**+UI	58MV(B,C)100-20	46,000	38,000	11.8	15.5	1,395	1,115	48,500	3.48	9.0	29,800	2.68
3495852	25HPA648A30	CAP**4821A**+UI	58MV(B,C)120-20	46,000	38,500	12.0	16.0	1,360	1,090	48,000	3.50	9.1	29,400	2.70
3496007	25HPA648A30	CAP**4823A**	58HDV080--20	46,000	38,500	11.7	15.0	1,470	1,160	48,500	3.50	8.9	30,200	2.70
3496008	25HPA648A30	CAP**4823A**	58HDV100--20	46,000	38,000	11.9	15.5	1,405	1,105	48,000	3.50	8.9	29,800	2.70
3514225	25HPA648A30	CAP**4824A**	58MEB100-20	46,000	38,000	12.2	15.5	1,410	1,070	48,000	3.56	9.1	29,400	2.76
3514226	25HPA648A30	CAP**4824A**	58MEB120-20	46,500	39,000	12.3	15.5	1,425	1,260	48,000	3.60	9.1	29,400	2.78
3514213	25HPA648A30	CAP**4824A**	58VLR120-20	46,000	38,500	12.2	15.0	1,350	1,170	48,000	3.54	9.0	29,200	2.72
3514235	25HPA648A30	CAP**4824A**	58VMR120-20	45,500	38,500	12.0	15.0	1,355	1,155	48,000	3.50	8.9	29,400	2.70
3495857	25HPA648A30	CAP**4824A**+TDR		45,500	37,600	11.6	14.0	1,400	1,120	48,500	3.44	8.5	30,000	2.66
3495861	25HPA648A30	CAP**4824A**+UI	58CV(A,X)110-20	46,000	38,500	12.1	16.0	1,355	1,085	48,000	3.52	9.1	29,200	2.72
3495862	25HPA648A30	CAP**4824A**+UI	58CV(A,X)135-22	46,000	38,500	12.3	16.5	1,355	1,085	47,500	3.56	9.1	29,200	2.74
3495863	25HPA648A30	CAP**4824A**+UI	58CV(A,X)155-22	46,000	38,500	12.4	16.5	1,365	1,090	47,500	3.58	9.1	29,000	2.76
3495858	25HPA648A30	CAP**4824A**+UI	58MV(B,C)080-20	45,500	38,000	11.9	16.0	1,310	1,050	48,000	3.48	9.0	29,200	2.68
3495859	25HPA648A30	CAP**4824A**+UI	58MV(B,C)100-20	46,000	38,000	11.9	15.5	1,395	1,115	48,000	3.50	9.0	29,600	2.70
3495860	25HPA648A30	CAP**4824A**+UI	58MV(B,C)120-20	46,000	38,500	12.1	16.0	1,360	1,090	48,000	3.52	9.1	29,400	2.72
3514227	25HPA648A30	CAP**6021A**	58MEB080-16	47,000	38,500	12.1	15.5	1,445	1,115	48,500	3.56	9.1	30,200	2.76
3514228	25HPA648A30	CAP**6021A**	58MEB100-20	47,000	38,500	12.4	15.5	1,405	1,065	48,000	3.60	9.3	30,000	2.82
3514229	25HPA648A30	CAP**6021A**	58MEB120-20	47,500	39,500	12.5	15.5	1,420	1,255	48,000	3.62	9.1	30,000	2.84
3514214	25HPA648A30	CAP**6021A**	58VLR120-20	47,000	39,000	12.4	15.5	1,350	1,170	48,000	3.56	9.1	29,400	2.76
3514236	25HPA648A30	CAP**6021A**	58VMR120-20	46,500	39,000	12.2	15.0	1,355	1,155	48,000	3.54	9.0	29,600	2.74
3495864	25HPA648A30	CAP**6021A**+TDR		46,500	38,000	11.8	14.0	1,400	1,120	48,500	3.48	8.7	30,200	2.70
3495868	25HPA648A30	CAP**6021A**+UI	58CV(A,X)090-16	46,500	38,500	12.2	16.5	1,345	1,075	48,000	3.54	9.2	29,600	2.76
3495869	25HPA648A30	CAP**6021A**+UI	58CV(A,X)110-20	47,000	38,500	12.3	16.5	1,355	1,085	48,000	3.56	9.2	29,600	2.76
3495870	25HPA648A30	CAP**6021A**+UI	58CV(A,X)135-22	47,000	38,500	12.5	16.5	1,355	1,085	48,000	3.60	9.3	29,400	2.78
3495871	25HPA648A30	CAP**6021A**+UI	58CV(A,X)155-22	47,000	39,000	12.6	16.5	1,365	1,090	48,000	3.62	9.3	29,400	2.80
3495865	25HPA648A30	CAP**6021A**+UI	58MV(B,C)080-20	46,500	38,500	12.1	16.0	1,310	1,050	48,000	3.50	9.1	29,600	2.72
3495866	25HPA648A30	CAP**6021A**+UI	58MV(B,C)100-20	47,000	38,500	12.0	15.5	1,395	1,115	48,500	3.54	9.1	30,000	2.74
3495867	25HPA648A30	CAP**6021A**+UI	58MV(B,C)120-20	47,000	38,500	12.3	16.5	1,360	1,090	48,000	3.56	9.2	30,000	2.76

See notes on pg. 31



25HPA6

25HPA6

COMBINATION RATINGS CONTINUED

AHRI Ref. No.	Model Number	Coil Model Number	Furnace Model Number	Cooling Capacity		Cooling				AHRI Standard Ratings				
				High	Low	SEER	ID CFM		High Temp		HSPF	Low Temp		
							High	Low	E Capacity	E COP		H Capacity	H COP	
3514230	25HPA648A30	CAP**6024A**	58MEB100-20	47,000	38,500	12.4	15.5	1,410	1,070	48,000	3.62	9.3	29,800	2.80
3514231	25HPA648A30	CAP**6024A**	58MEB120-20	47,500	39,500	12.5	15.5	1,425	1,260	48,000	3.58	9.3	30,000	2.84
3514215	25HPA648A30	CAP**6024A**	58VLR120-20	47,000	39,000	12.4	15.5	1,350	1,170	48,000	3.64	9.0	29,400	2.78
3514238	25HPA648A30	CAP**6024A**	58VMR120-20	46,500	39,000	12.2	15.0	1,355	1,155	48,000	3.54	9.0	29,600	2.76
3495872	25HPA648A30	CAP**6024A** + TDR		46,500	38,000	11.8	14.0	1,400	1,120	48,500	3.48	8.7	30,200	2.70
3495876	25HPA648A30	CAP**6024A** + UI	58CV(A,X)110-20	47,000	38,500	12.3	16.5	1,355	1,085	48,000	3.56	9.2	29,600	2.76
3495877	25HPA648A30	CAP**6024A** + UI	58CV(A,X)135-22	47,000	38,500	12.5	16.5	1,355	1,085	48,000	3.60	9.2	29,400	2.80
3495878	25HPA648A30	CAP**6024A** + UI	58CV(A,X)155-22	47,000	39,000	12.6	16.5	1,365	1,090	48,000	3.62	9.2	29,400	2.82
3495873	25HPA648A30	CAP**6024A** + UI	58MV(B,C)080-20	46,500	38,500	12.1	16.0	1,310	1,050	48,000	3.52	9.1	29,600	2.72
3495874	25HPA648A30	CAP**6024A** + UI	58MV(B,C)100-20	47,000	38,500	12.1	15.5	1,395	1,115	48,500	3.54	9.2	30,000	2.74
3495875	25HPA648A30	CAP**6024A** + UI	58MV(B,C)120-20	47,000	38,500	12.3	16.5	1,360	1,090	48,000	3.56	9.2	29,600	2.76
3496009	25HPA648A30	CAP**6025A**	58HDV080-20	47,000	39,000	12.0	15.5	1,495	1,180	49,000	3.56	9.2	30,600	2.78
3496010	25HPA648A30	CAP**6025A**	58HDV100-20	47,000	38,500	12.2	15.5	1,430	1,120	48,500	3.56	9.1	30,400	2.80
3495905	25HPA648A30	CNPH*4821A**	58MEB080-16	46,500	37,800	11.9	15.5	1,450	1,020	48,500	3.52	9.0	30,000	2.72
3495906	25HPA648A30	CNPH*4821A**	58MEB100-20	46,500	38,000	12.3	15.5	1,410	1,070	48,000	3.58	9.0	29,400	2.76
3495907	25HPA648A30	CNPH*4821A**	58MEB120-20	46,500	39,000	12.4	15.5	1,425	1,260	48,000	3.60	9.2	29,400	2.78
3495901	25HPA648A30	CNPH*4821A**	58PH*070-16	46,000	38,000	11.3	14.5	1,455	1,095	49,000	3.40	8.8	30,600	2.64
3495902	25HPA648A30	CNPH*4821A**	58PH*090-16	46,500	38,500	12.1	15.5	1,420	1,105	48,000	3.54	9.0	29,600	2.74
3495903	25HPA648A30	CNPH*4821A**	58PH*110-20	46,500	38,500	12.4	15.5	1,380	1,130	48,000	3.58	9.0	29,200	2.76
3495904	25HPA648A30	CNPH*4821A**	58PH*135-20	46,500	39,000	12.2	15.0	1,400	1,235	48,000	3.56	9.1	29,400	2.74
3514245	25HPA648A30	CNPH*4821A**	58VMR120-20	46,000	38,500	12.1	15.0	1,355	1,155	48,000	3.50	8.8	29,400	2.72
3495936	25HPA648A30	CNPH*4821A** + TDR		46,000	38,000	11.6	15.0	1,400	1,120	48,500	3.44	8.8	30,000	2.66
3495940	25HPA648A30	CNPH*4821A** + UI	58CV(A,X)090-16	46,000	38,500	12.1	16.0	1,345	1,075	48,000	3.52	9.3	29,400	2.72
3495941	25HPA648A30	CNPH*4821A** + UI	58CV(A,X)110-20	46,000	38,500	12.2	16.0	1,355	1,085	48,000	3.54	9.3	29,200	2.72
3495942	25HPA648A30	CNPH*4821A** + UI	58CV(A,X)135-22	46,000	38,500	12.3	16.5	1,355	1,085	47,500	3.56	9.4	29,200	2.76
3495943	25HPA648A30	CNPH*4821A** + UI	58CV(A,X)155-22	46,500	38,500	12.4	16.5	1,365	1,090	47,500	3.58	9.4	29,000	2.68
3495938	25HPA648A30	CNPH*4821A** + UI	58MV(B,C)100-20	46,000	38,500	11.9	15.5	1,395	1,115	48,000	3.50	9.3	29,600	2.70
3495939	25HPA648A30	CNPH*4821A** + UI	58MV(B,C)120-20	46,000	38,500	12.1	16.0	1,360	1,090	48,000	3.52	9.4	29,400	2.72
3495983	25HPA648A30	CNPH*6024A**	58MEB080-16	47,000	38,000	12.1	15.5	1,455	1,035	48,500	3.56	9.0	30,400	2.78
3495984	25HPA648A30	CNPH*6024A**	58MEB100-20	47,000	40,000	12.5	15.5	1,425	1,420	48,000	3.60	9.2	29,800	2.80
3495985	25HPA648A30	CNPH*6024A**	58MEB120-20	47,500	39,500	12.6	16.0	1,440	1,275	48,000	3.64	9.3	29,800	2.84
3495979	25HPA648A30	CNPH*6024A**	58PH*070-16	46,500	38,500	11.5	15.0	1,465	1,100	49,000	3.44	9.0	31,000	2.70
3495980	25HPA648A30	CNPH*6024A**	58PH*090-16	47,000	38,500	12.3	16.0	1,430	1,115	48,500	3.58	9.1	30,000	2.80
3495981	25HPA648A30	CNPH*6024A**	58PH*110-20	47,000	40,000	12.6	15.5	1,395	1,390	48,000	3.62	9.2	29,600	2.82
3495982	25HPA648A30	CNPH*6024A**	58PH*135-20	47,000	39,500	12.4	15.5	1,420	1,255	48,000	3.60	9.2	30,000	2.82
3514246	25HPA648A30	CNPH*6024A**	58VMR120-20	46,500	39,000	12.3	15.5	1,355	1,155	48,000	3.54	9.0	29,600	2.76
3495944	25HPA648A30	CNPH*6024A** + TDR		46,500	38,500	11.8	15.5	1,400	1,120	48,500	3.48	9.0	30,200	2.70
3495948	25HPA648A30	CNPH*6024A** + UI	58CV(A,X)090-16	46,500	38,500	12.3	16.5	1,345	1,075	48,000	3.54	9.5	29,600	2.76
3495949	25HPA648A30	CNPH*6024A** + UI	58CV(A,X)110-20	47,000	39,000	12.4	16.5	1,355	1,085	48,000	3.56	9.2	29,400	2.78
3514232	25HPA648A30	CNPH*6024A** + UI	58CV(A,X)135-22	47,000	38,500	12.5	16.0	1,355	1,085	48,000	3.60	9.0	29,400	2.80
3495951	25HPA648A30	CNPH*6024A** + UI	58CV(A,X)155-22	47,000	36,800	12.7	16.0	1,365	845	47,500	3.62	9.1	29,600	2.84
3495945	25HPA648A30	CNPH*6024A** + UI	58MV(B,C)080-20	46,500	38,500	12.2	16.0	1,310	1,050	48,000	3.52	9.4	29,400	2.74
3495946	25HPA648A30	CNPH*6024A** + UI	58MV(B,C)100-20	47,000	39,000	12.1	16.0	1,395	1,115	48,500	3.54	9.4	30,000	2.76
3495947	25HPA648A30	CNPH*6024A** + UI	58MV(B,C)120-20	47,000	39,000	12.3	16.5	1,360	1,090	48,000	3.56	9.5	29,600	2.76
3495990	25HPA648A30	CNPH*6124A**	58MEB080-16	47,500	38,000	12.1	15.5	1,445	1,010	49,000	3.60	9.1	30,400	2.78

See notes on pg. 31

COMBINATION RATINGS CONTINUED

AHRI Ref. No.	Model Number	Coil Model Number	Furnace Model Number	Cooling Capacity		Cooling				AHRI Standard Ratings					
				High	Low	SEER	ID CFM		High Temp		HSPF	Low Temp			
							High	Low	E Capacity	COP		H Capacity	COP		
3495991	25HPA648A30	CNPH*6124A**	58MEB100-20	47,500	40,000	12.5	1,400	1,395	48,500	3.64	9.3	30,000	2.82		
3495992	25HPA648A30	CNPH*6124A**	58MEB120-20	47,500	39,500	12.6	1,420	1,250	48,500	3.68	9.4	30,200	2.86		
3495986	25HPA648A30	CNPH*6124A**	58PH*070-16	47,000	38,500	11.5	1,080	1,080	49,500	3.48	9.0	31,000	2.70		
3495987	25HPA648A30	CNPH*6124A**	58PH*090-16	47,500	39,000	12.3	1,410	1,095	48,500	3.62	9.1	30,000	2.80		
3495988	25HPA648A30	CNPH*6124A**	58PH*110-20	47,000	40,000	12.6	1,370	1,370	48,000	3.64	9.2	29,600	2.82		
3495989	25HPA648A30	CNPH*6124A**	58PH*135-20	47,000	39,500	12.4	1,390	1,220	48,500	3.62	9.2	29,800	2.80		
3514247	25HPA648A30	CNPH*6124A**	58VMR120-20	47,000	39,500	12.2	1,355	1,155	48,500	3.58	9.1	29,800	2.76		
3495952	25HPA648A30	CNPH*6124A**+TDR	58VMR120-20	48,000	38,500	11.8	1,680	1,120	50,000	3.60	8.8	31,400	2.76		
3495956	25HPA648A30	CNPH*6124A**+UI	58CV(A,X)090-16	47,000	36,800	12.3	1,345	895	48,000	3.58	9.0	30,000	2.78		
3495957	25HPA648A30	CNPH*6124A**+UI	58CV(A,X)110-20	47,000	36,800	12.3	1,355	850	48,000	3.60	9.1	30,000	2.80		
3495958	25HPA648A30	CNPH*6124A**+UI	58CV(A,X)135-22	47,000	36,800	12.5	1,355	845	48,000	3.64	9.1	29,800	2.82		
3495959	25HPA648A30	CNPH*6124A**+UI	58CV(A,X)155-22	47,500	36,800	12.6	1,365	845	48,000	3.66	9.1	29,800	2.84		
3495953	25HPA648A30	CNPH*6124A**+UI	58MV(B,C)080-20	46,500	36,600	12.1	1,310	840	48,000	3.54	8.9	29,600	2.74		
3495954	25HPA648A30	CNPH*6124A**+UI	58MV(B,C)100-20	47,000	38,500	12.1	1,395	1,040	48,500	3.58	9.4	30,400	2.78		
3495955	25HPA648A30	CNPH*6124A**+UI	58MV(B,C)120-20	47,000	36,800	12.3	1,360	845	48,500	3.60	9.1	30,000	2.80		
3495956	25HPA648A30	CNPH*6124A**+UI	58MEB080-16	46,500	38,500	11.9	1,450	1,120	48,500	3.52	9.0	30,000	2.72		
3495984	25HPA648A30	CNPH*4821A**	58MEB100-20	46,500	38,000	12.3	1,410	1,070	48,000	3.58	9.0	29,400	2.76		
3495985	25HPA648A30	CNPH*4821A**	58MEB120-20	46,500	39,000	12.4	1,425	1,285	48,000	3.60	9.2	29,400	2.78		
3495979	25HPA648A30	CNPH*4821A**	58PH*070-16	46,000	38,000	11.3	1,455	1,095	49,000	3.40	8.8	30,600	2.64		
3495980	25HPA648A30	CNPH*4821A**	58PH*090-16	46,500	38,500	12.1	1,420	1,105	48,000	3.54	9.0	29,600	2.74		
3495981	25HPA648A30	CNPH*4821A**	58PH*110-20	46,500	38,500	12.4	1,380	1,130	48,000	3.58	9.0	29,200	2.76		
3495982	25HPA648A30	CNPH*4821A**	58PH*135-20	46,500	39,000	12.2	1,500	1,235	48,000	3.56	9.1	29,400	2.74		
3514217	25HPA648A30	CNPH*4821A**	58VLR120-20	46,000	38,500	12.2	1,350	1,170	47,500	3.54	9.0	29,200	2.74		
3514241	25HPA648A30	CNPH*4821A**	58VMR120-20	46,000	38,500	12.1	1,355	1,155	48,000	3.50	8.9	29,400	2.72		
3495907	25HPA648A30	CNPH*4821A**+TDR	58VMR120-20	46,000	38,000	11.6	1,400	1,120	48,500	3.44	8.8	30,000	2.66		
3495912	25HPA648A30	CNPH*4821A**+UI	58CV(A,X)090-16	46,000	38,500	12.1	1,345	1,075	48,000	3.52	9.3	29,400	2.72		
3495913	25HPA648A30	CNPH*4821A**+UI	58CV(A,X)135-22	46,000	38,500	12.3	1,355	1,085	47,500	3.56	9.4	29,200	2.76		
3495914	25HPA648A30	CNPH*4821A**+UI	58CV(A,X)155-22	46,500	38,500	12.4	1,365	1,090	47,500	3.58	9.4	29,000	2.78		
3495908	25HPA648A30	CNPH*4821A**+UI	58MV(B,C)080-20	45,500	38,000	12.0	1,310	1,050	48,000	3.48	9.2	29,200	2.68		
3495909	25HPA648A30	CNPH*4821A**+UI	58MV(B,C)100-20	46,000	38,500	11.9	1,395	1,115	48,000	3.50	9.3	29,600	2.70		
3495910	25HPA648A30	CNPH*4821A**+UI	58MV(B,C)120-20	46,000	38,500	12.1	1,360	1,090	48,000	3.52	9.4	29,400	2.72		
3495989	25HPA648A30	CNPH*4824A**	58MEB100-20	46,500	38,000	12.3	1,410	1,070	48,000	3.58	9.0	29,400	2.76		
3495990	25HPA648A30	CNPH*4824A**	58MEB120-20	46,500	39,000	12.4	1,425	1,265	48,000	3.60	9.2	29,400	2.78		
3495986	25HPA648A30	CNPH*4824A**	58PH*090-16	46,500	38,500	12.1	1,420	1,105	48,000	3.54	9.0	29,600	2.74		
3495987	25HPA648A30	CNPH*4824A**	58PH*110-20	46,500	38,500	12.4	1,380	1,130	48,000	3.58	9.0	29,200	2.76		
3495988	25HPA648A30	CNPH*4824A**	58PH*135-20	46,500	39,000	12.2	1,400	1,235	48,000	3.56	9.1	29,400	2.74		
3514218	25HPA648A30	CNPH*4824A**	58VLR120-20	46,000	38,500	12.2	1,350	1,170	47,500	3.54	9.0	29,200	2.74		
3514242	25HPA648A30	CNPH*4824A**	58VMR120-20	46,000	38,500	12.1	1,355	1,155	48,000	3.50	8.8	29,400	2.72		
3495915	25HPA648A30	CNPH*4824A**+TDR	58VMR120-20	46,000	38,000	11.6	1,400	1,120	48,500	3.44	8.8	30,000	2.66		
3495919	25HPA648A30	CNPH*4824A**+UI	58CV(A,X)110-20	46,000	38,500	12.2	1,355	1,085	48,000	3.54	9.3	29,400	2.72		
3495920	25HPA648A30	CNPH*4824A**+UI	58CV(A,X)135-22	46,000	38,500	12.3	1,355	1,085	47,500	3.56	9.4	29,200	2.76		
3495921	25HPA648A30	CNPH*4824A**+UI	58CV(A,X)155-22	46,500	38,500	12.4	1,365	1,090	47,500	3.58	9.4	29,000	2.78		
3495916	25HPA648A30	CNPH*4824A**+UI	58MV(B,C)080-20	45,500	38,000	12.0	1,310	1,050	48,000	3.48	9.2	29,200	2.68		
3495917	25HPA648A30	CNPH*4824A**+UI	58MV(B,C)100-20	46,000	38,500	11.9	1,395	1,115	48,000	3.50	9.3	29,600	2.70		
3495918	25HPA648A30	CNPH*4824A**+UI	58MV(B,C)120-20	46,000	38,500	12.1	1,360	1,090	48,000	3.52	9.4	29,400	2.72		

See notes on pg. 31



25HPA6

COMBINATION RATINGS CONTINUED

AHRI Ref. No.	Model Number	Coil Model Number	Furnace Model Number	Cooling Capacity		Cooling				AHRI Standard Ratings				
				High	Low	SEER	ID CFM		High Temp		HSPF	Low Temp	H COP	
							High	Low	E Capacity	E COP				
3495894	25HPA648A30	CNPV*6024A**	58MEB100-20	47,000	38,500	12.5	16.0	1,425	1,085	48,000	3.62	9.2	29,800	2.82
3495895	25HPA648A30	CNPV*6024A**	58MEB120-20	47,500	39,500	12.6	16.0	1,440	1,275	48,000	3.64	9.5	30,000	2.86
3495891	25HPA648A30	CNPV*6024A**	58PH*090-16	47,000	38,500	12.3	15.5	1,430	1,115	48,500	3.58	9.2	30,200	2.82
3495892	25HPA648A30	CNPV*6024A**	58PH*110-20	47,000	39,000	12.6	16.0	1,395	1,145	48,000	3.62	9.2	29,600	2.82
3495893	25HPA648A30	CNPV*6024A**	58PH*135-20	47,000	39,500	12.4	15.5	1,420	1,255	48,000	3.60	9.2	29,800	2.80
3514219	25HPA648A30	CNPV*6024A**	58VLR120-20	47,000	39,000	12.4	15.5	1,350	1,170	48,000	3.58	9.0	29,400	2.78
3514243	25HPA648A30	CNPV*6024A**	58VMR120-20	46,500	39,000	12.3	15.5	1,355	1,155	48,000	3.54	9.0	29,600	2.76
3495922	25HPA648A30	CNPV*6024A** + TDR	58VLR120-20	46,500	38,500	11.8	15.5	1,400	1,120	48,500	3.48	9.0	30,200	2.70
3495926	25HPA648A30	CNPV*6024A** + UI	58CV(A,X)110-20	47,000	39,000	12.4	16.5	1,355	1,085	48,000	3.56	9.5	29,400	2.78
3495927	25HPA648A30	CNPV*6024A** + UI	58CV(A,X)135-22	47,000	39,000	12.5	16.5	1,355	1,085	48,000	3.60	9.5	29,400	2.80
3495928	25HPA648A30	CNPV*6024A** + UI	58CV(A,X)155-22	47,000	39,000	12.7	16.5	1,365	1,090	47,500	3.62	9.6	29,200	2.82
3495923	25HPA648A30	CNPV*6024A** + UI	58MV(B,C)080-20	46,500	38,500	12.2	16.0	1,310	1,050	48,000	3.52	9.4	29,400	2.74
3495924	25HPA648A30	CNPV*6024A** + UI	58MV(B,C)100-20	47,000	39,000	12.1	16.0	1,395	1,115	48,500	3.54	9.4	30,000	2.76
3495925	25HPA648A30	CNPV*6024A** + UI	58MV(B,C)120-20	47,000	39,000	12.3	16.5	1,360	1,090	48,000	3.56	9.5	29,600	2.76
3495899	25HPA648A30	CNPV*6124A**	58MEB100-20	48,000	39,000	12.6	16.5	1,430	1,095	48,500	3.70	9.5	30,200	2.86
3495900	25HPA648A30	CNPV*6124A**	58MEB120-20	48,000	40,000	12.7	16.0	1,445	1,285	48,500	3.72	9.5	30,200	2.88
3495896	25HPA648A30	CNPV*6124A**	58PH*090-16	48,000	39,500	12.5	16.0	1,435	1,125	48,500	3.66	9.5	30,400	2.84
3495897	25HPA648A30	CNPV*6124A**	58PH*110-20	48,000	39,500	12.7	16.0	1,400	1,160	48,500	3.70	9.5	30,000	2.88
3495898	25HPA648A30	CNPV*6124A**	58PH*135-20	48,000	40,000	12.6	16.0	1,425	1,265	48,500	3.68	9.5	30,200	2.86
3514237	25HPA648A30	CNPV*6124A**	58VLR120-20	47,500	39,500	12.6	16.0	1,350	1,155	48,000	3.66	9.5	30,000	2.84
3514244	25HPA648A30	CNPV*6124A**	58VMR120-20	47,500	39,500	12.4	15.5	1,355	1,155	48,500	3.62	9.2	30,200	2.82
3495929	25HPA648A30	CNPV*6124A** + TDR	58VLR120-20	47,000	39,000	11.9	15.5	1,400	1,120	49,000	3.56	9.2	30,600	2.76
3495933	25HPA648A30	CNPV*6124A** + UI	58CV(A,X)110-20	47,500	39,500	12.6	17.0	1,355	1,085	48,000	3.66	9.8	30,000	2.84
3495934	25HPA648A30	CNPV*6124A** + UI	58CV(A,X)135-22	47,500	39,500	12.7	17.0	1,355	1,085	48,000	3.68	9.8	30,000	2.86
3495935	25HPA648A30	CNPV*6124A** + UI	58CV(A,X)155-22	47,500	39,500	12.8	17.0	1,365	1,090	48,000	3.72	9.8	29,600	2.88
3495930	25HPA648A30	CNPV*6124A** + UI	58MV(B,C)080-20	47,000	39,000	12.4	16.5	1,310	1,050	48,000	3.60	9.5	29,600	2.78
3495931	25HPA648A30	CNPV*6124A** + UI	58MV(B,C)100-20	47,500	39,500	12.3	16.0	1,395	1,115	48,500	3.62	9.6	30,400	2.82
3495932	25HPA648A30	CNPV*6124A** + UI	58MV(B,C)120-20	47,500	39,500	12.5	17.0	1,360	1,090	48,500	3.64	9.7	30,200	2.84
3495997	25HPA648A30	CSPH*4812A**	58MEB080-16	46,500	37,800	12.0	15.5	1,425	1,000	48,500	3.54	8.9	30,200	2.74
3495998	25HPA648A30	CSPH*4812A**	58MEB100-20	46,500	39,500	12.3	15.0	1,380	1,375	48,000	3.58	9.0	29,600	2.76
3495999	25HPA648A30	CSPH*4812A**	58MEB120-20	46,500	39,500	12.4	15.5	1,395	1,230	48,000	3.62	9.1	29,600	2.78
3495993	25HPA648A30	CSPH*4812A**	58PH*070-16	46,000	38,000	11.3	15.0	1,425	1,070	49,000	3.42	8.8	30,800	2.66
3495994	25HPA648A30	CSPH*4812A**	58PH*090-16	46,500	38,500	12.2	15.5	1,390	1,080	48,000	3.56	9.0	29,600	2.74
3495995	25HPA648A30	CSPH*4812A**	58PH*110-20	46,500	39,500	12.4	15.5	1,340	1,345	48,000	3.58	9.1	29,200	2.76
3495996	25HPA648A30	CSPH*4812A**	58PH*135-20	46,500	39,000	12.2	15.5	1,360	1,200	48,000	3.56	9.0	29,400	2.74
3514248	25HPA648A30	CSPH*4812A**	58VMR120-20	46,500	38,500	12.0	15.0	1,355	1,155	48,000	3.52	9.0	29,600	2.72
3495960	25HPA648A30	CSPH*4812A** + TDR	58VLR120-20	47,000	38,000	11.7	14.0	1,600	1,120	49,500	3.54	8.7	31,000	2.74
3495964	25HPA648A30	CSPH*4812A** + UI	58CV(A,X)090-16	46,500	36,400	12.1	15.5	1,345	835	48,000	3.54	8.9	29,600	2.72
3495965	25HPA648A30	CSPH*4812A** + UI	58CV(A,X)110-20	46,500	36,600	12.1	15.5	1,355	850	48,000	3.54	8.9	29,600	2.74
3495966	25HPA648A30	CSPH*4812A** + UI	58CV(A,X)135-22	46,500	36,600	12.3	15.5	1,355	845	48,000	3.58	8.9	29,400	2.76
3495967	25HPA648A30	CSPH*4812A** + UI	58CV(A,X)155-22	46,500	36,600	12.4	15.5	1,365	845	48,000	3.60	8.9	29,400	2.78
3495961	25HPA648A30	CSPH*4812A** + UI	58MV(B,C)080-20	46,000	36,400	11.9	15.0	1,310	840	48,000	3.50	8.8	29,600	2.70
3495962	25HPA648A30	CSPH*4812A** + UI	58MV(B,C)100-20	46,500	38,000	11.9	15.5	1,395	1,040	48,500	3.52	9.2	30,000	2.72
3495963	25HPA648A30	CSPH*4812A** + UI	58MV(B,C)120-20	46,500	38,600	12.1	15.5	1,360	845	48,000	3.54	8.9	29,600	2.74
3496004	25HPA648A30	CSPH*6012A**	58MEB080-16	47,500	38,500	12.2	16.0	1,460	1,020	48,500	3.60	9.1	30,600	2.80
3496005	25HPA648A30	CSPH*6012A**	58MEB100-20	47,500	40,500	12.5	15.5	1,425	1,420	48,500	3.66	9.3	30,200	2.84

See notes on pg. 31

COMBINATION RATINGS CONTINUED

AHRI Ref. No.	Model Number	Coil Model Number	Furnace Model Number	Cooling Capacity		Cooling				AHRI Standard Ratings				
				High	Low	SEER	ID CFM		High Temp		HSPF	Low Temp		
							High	Low	E Capacity	COP		H Capacity	H COP	
3496006	25HPA648A30	CSPH*6012A**	58MEB120-20	47,500	40,000	12.6	16.0	1,440	1,270	48,500	3.68	9.4	30,000	2.86
3496000	25HPA648A30	CSPH*6012A**	58PH*070-16	47,500	38,500	11.6	15.0	1,465	1,095	48,500	3.48	9.0	31,200	2.70
3496001	25HPA648A30	CSPH*6012A**	58PH*090-16	47,500	39,000	12.4	16.0	1,430	1,105	48,500	3.62	9.2	30,200	2.82
3496002	25HPA648A30	CSPH*6012A**	58PH*110-20	47,500	40,500	12.7	15.5	1,395	1,390	48,000	3.66	9.3	29,800	2.84
3496003	25HPA648A30	CSPH*6012A**	58PH*135-20	47,500	40,000	12.5	16.0	1,420	1,250	48,500	3.64	9.3	30,200	2.84
3514249	25HPA648A30	CSPH*6012A**	58VMR120-20	47,000	39,000	12.3	15.5	1,355	1,155	48,000	3.58	9.0	29,600	2.78
3495968	25HPA648A30	CSPH*6012A**+TDR		48,000	38,500	11.8	14.5	1,680	1,120	50,000	3.58	8.8	31,400	2.76
3495972	25HPA648A30	CSPH*6012A**+UI	58CV(A,X)090-16	47,000	36,800	12.4	15.5	1,345	835	48,000	3.58	9.0	29,800	2.78
3495973	25HPA648A30	CSPH*6012A**+UI	58CV(A,X)110-20	47,000	36,800	12.4	15.5	1,355	850	48,000	3.60	9.0	29,800	2.80
3495974	25HPA648A30	CSPH*6012A**+UI	58CV(A,X)135-22	47,500	36,800	12.6	15.5	1,355	845	48,000	3.64	9.0	29,600	2.84
3495975	25HPA648A30	CSPH*6012A**+UI	58CV(A,X)155-22	47,500	37,000	12.7	16.0	1,365	845	48,000	3.66	9.1	29,800	2.86
3495969	25HPA648A30	CSPH*6012A**+UI	58MV(B,C)080-20	46,500	36,800	12.2	15.5	1,310	840	48,000	3.54	8.9	29,600	2.74
3495970	25HPA648A30	CSPH*6012A**+UI	58MV(B,C)100-20	47,000	38,500	12.2	15.5	1,395	1,040	48,500	3.58	9.3	30,400	2.78
3495971	25HPA648A30	CSPH*6012A**+UI	58MV(B,C)120-20	47,000	36,800	12.4	15.5	1,360	845	48,000	3.60	9.0	30,000	2.80
3496011	25HPA660A30	†FV4CNB006		56,500	46,500	12.6	16.0	1,750	1,400	59,000	3.78	9.5	36,600	2.80
3496081	25HPA660A30	FE4ANB006+UI		56,500	46,500	12.6	16.0	1,750	1,400	59,000	3.78	9.5	36,600	2.80
3496052	25HPA660A30	CAP**6021A**	58MEB080-16	54,500	44,000	11.9	15.0	1,585	1,130	59,000	3.54	8.7	37,000	2.66
3496017	25HPA660A30	CAP**6021A**	58MEB100-20	55,000	45,000	12.2	14.5	1,620	1,295	58,500	3.60	9.1	36,800	2.70
3496053	25HPA660A30	CAP**6021A**	58MEB120-20	55,500	45,000	12.3	15.5	1,625	1,270	58,500	3.64	9.0	36,600	2.72
3496016	25HPA660A30	CAP**6021A**	58PH*110-20	55,500	45,500	12.2	15.0	1,670	1,335	59,000	3.64	9.1	36,800	2.72
3496051	25HPA660A30	CAP**6021A**	58PH*135-20	55,000	45,000	12.1	15.0	1,635	1,255	59,000	3.60	8.9	36,800	2.70
3514250	25HPA660A30	CAP**6021A**	58VLR120-20	55,500	45,500	11.9	15.0	1,795	1,350	59,500	3.60	8.8	37,200	2.68
3514267	25HPA660A30	CAP**6021A**	58VMR120-20	55,000	45,000	11.5	14.5	1,740	1,355	60,000	3.54	8.7	37,600	2.64
3496012	25HPA660A30	CAP**6021A**+TDR		55,500	45,000	11.9	14.0	1,750	1,400	59,500	3.60	8.7	37,200	2.68
3496015	25HPA660A30	CAP**6021A**+UI	58CV(A,X)110-20	55,500	45,500	11.9	15.5	1,695	1,355	59,000	3.60	8.8	37,200	2.72
3514256	25HPA660A30	CAP**6021A**+UI	58CV(A,X)135-22	55,500	45,500	12.2	15.0	1,685	1,350	59,000	3.64	9.0	36,800	2.74
3514257	25HPA660A30	CAP**6021A**+UI	58CV(A,X)155-22	55,500	45,500	12.3	15.0	1,705	1,365	59,000	3.66	9.0	36,800	2.74
3496013	25HPA660A30	CAP**6021A**+UI	58MV(B,C)080-20	55,000	45,500	11.3	15.0	1,730	1,385	60,000	3.50	8.8	37,800	2.60
3496014	25HPA660A30	CAP**6021A**+UI	58MV(B,C)100-20	54,500	45,500	11.5	15.0	1,680	1,330	59,500	3.50	8.8	37,400	2.62
3514255	25HPA660A30	CAP**6021A**+UI	58MV(B,C)120-20	55,000	45,000	11.8	14.5	1,680	1,345	59,500	3.56	8.9	37,200	2.66
3496056	25HPA660A30	CAP**6024A**	58MEB100-20	55,500	46,000	12.2	15.0	1,630	1,430	58,500	3.62	9.0	36,800	2.72
3496057	25HPA660A30	CAP**6024A**	58MEB120-20	55,500	45,000	12.3	15.5	1,640	1,280	58,500	3.64	9.0	36,600	2.74
3496054	25HPA660A30	CAP**6024A**	58PH*110-20	55,500	46,000	12.3	15.0	1,685	1,410	59,000	3.64	9.0	36,800	2.72
3496055	25HPA660A30	CAP**6024A**	58PH*135-20	55,500	45,000	12.1	15.0	1,650	1,260	59,000	3.62	9.0	36,800	2.70
3514251	25HPA660A30	CAP**6024A**	58VLR120-20	55,500	45,500	11.9	15.0	1,735	1,350	59,500	3.60	9.0	37,000	2.68
3514268	25HPA660A30	CAP**6024A**	58VMR120-20	55,000	45,500	11.6	14.5	1,740	1,355	60,000	3.54	8.7	37,600	2.64
3496018	25HPA660A30	CAP**6024A**+TDR		55,500	45,000	11.9	14.0	1,750	1,400	59,500	3.60	8.7	37,200	2.68
3514260	25HPA660A30	CAP**6024A**+UI	58CV(A,X)110-20	55,500	45,500	12.0	14.5	1,695	1,355	59,000	3.60	8.8	37,000	2.70
3496020	25HPA660A30	CAP**6024A**+UI	58CV(A,X)135-22	55,500	45,500	12.2	16.0	1,685	1,350	59,000	3.64	9.1	36,800	2.72
3496021	25HPA660A30	CAP**6024A**+UI	58CV(A,X)155-22	56,000	46,000	12.4	16.0	1,705	1,365	59,000	3.68	9.0	36,600	2.74
3514258	25HPA660A30	CAP**6024A**+UI	58MV(B,C)080-20	55,000	45,500	11.4	14.0	1,730	1,385	60,000	3.50	8.8	37,800	2.60
3514259	25HPA660A30	CAP**6024A**+UI	58MV(B,C)100-20	55,000	45,000	11.6	14.5	1,660	1,330	59,500	3.52	8.8	37,400	2.62
3496019	25HPA660A30	CAP**6024A**+UI	58MV(B,C)120-20	55,000	45,500	11.8	15.5	1,680	1,345	59,500	3.58	8.7	37,200	2.68
3496082	25HPA660A30	CAP**6025A**	58HDV080--20	55,500	45,500	11.5	14.5	1,845	1,445	60,000	3.56	8.9	38,000	2.64
3496083	25HPA660A30	CAP**6025A**	58HDV100--20	55,500	45,500	11.7	14.5	1,775	1,415	60,000	3.58	9.0	37,600	2.66

See notes on pg. 31



25HPA6

25HPA6

COMBINATION RATINGS CONTINUED

AHRI Ref. No.	Model Number	Coil Model Number	Furnace Model Number	Cooling Capacity		Cooling				AHRI Standard Ratings			
				High	Low	SEER	ID CFM		High Temp		HSPF	Low Temp	
							High	Low	E Capacity	COP		H Capacity	COP
3496069	25HPA660A30	CNPH*6024A**	58MEB080-16	54,500	44,000	15.0	1,600	1,135	59,000	3.54	8.7	36,800	2.66
3496070	25HPA660A30	CNPH*6024A**	58MEB100-20	55,000	46,000	12.2	1,645	1,440	58,500	3.60	9.0	36,600	2.72
3496071	25HPA660A30	CNPH*6024A**	58MEB120-20	55,500	45,500	12.3	1,655	1,290	58,500	3.64	9.0	36,600	2.74
3496067	25HPA660A30	CNPH*6024A**	58PH*110-20	55,500	46,000	12.2	1,700	1,425	59,000	3.64	9.0	36,800	2.72
3496068	25HPA660A30	CNPH*6024A**	58PH*135-20	55,500	45,000	12.2	1,670	1,280	59,000	3.62	9.0	36,800	2.72
3514272	25HPA660A30	CNPH*6024A**	58VMR120-20	55,000	45,500	11.6	1,740	1,355	59,500	3.58	8.8	37,600	2.64
3496030	25HPA660A30	CNPH*6024A**+TDR		55,500	45,000	11.9	1,750	1,400	59,500	3.58	8.6	37,200	2.68
3496034	25HPA660A30	CNPH*6024A**+UI	58CV(A,X)110-20	55,500	46,000	12.0	1,695	1,355	59,000	3.60	8.8	37,000	2.70
3496035	25HPA660A30	CNPH*6024A**+UI	58CV(A,X)135-22	55,500	46,000	12.3	1,685	1,350	58,500	3.64	8.8	36,600	2.72
3496036	25HPA660A30	CNPH*6024A**+UI	58CV(A,X)155-22	55,500	46,000	12.4	1,705	1,365	58,500	3.66	8.8	36,600	2.74
3496031	25HPA660A30	CNPH*6024A**+UI	58MV(B,C)080-20	54,500	45,500	11.4	1,730	1,385	60,000	3.50	8.5	37,800	2.60
3496032	25HPA660A30	CNPH*6024A**+UI	58MV(B,C)100-20	54,500	45,500	11.6	1,660	1,330	59,500	3.50	8.5	37,400	2.62
3496033	25HPA660A30	CNPH*6024A**+UI	58MV(B,C)120-20	55,000	45,500	11.9	1,680	1,345	59,000	3.56	8.7	37,000	2.68
3496074	25HPA660A30	CNPH*6124A**	58MEB080-16	55,000	44,500	12.0	1,585	1,125	59,000	3.58	8.7	37,000	2.68
3496075	25HPA660A30	CNPH*6124A**	58MEB100-20	55,500	46,000	12.2	1,625	1,420	59,000	3.66	9.0	36,800	2.72
3496076	25HPA660A30	CNPH*6124A**	58MEB120-20	55,500	45,500	12.4	1,650	1,270	59,000	3.68	9.0	36,600	2.74
3496072	25HPA660A30	CNPH*6124A**	58PH*110-20	56,000	46,000	12.3	1,675	1,400	59,000	3.70	9.1	36,800	2.74
3496073	25HPA660A30	CNPH*6124A**	58PH*135-20	55,500	45,000	12.2	1,640	1,245	59,000	3.66	8.9	36,800	2.72
3514273	25HPA660A30	CNPH*6124A**	58VMR120-20	55,500	45,500	11.6	1,740	1,355	60,000	3.60	8.8	37,800	2.66
3496037	25HPA660A30	CNPH*6124A**+TDR		56,000	45,500	12.0	1,750	1,400	60,000	3.66	8.7	37,400	2.70
3496041	25HPA660A30	CNPH*6124A**+UI	58CV(A,X)110-20	55,500	46,000	12.0	1,695	1,355	59,500	3.66	8.8	37,200	2.70
3496042	25HPA660A30	CNPH*6124A**+UI	58CV(A,X)135-22	56,000	46,000	12.3	1,685	1,350	59,000	3.70	8.8	36,800	2.74
3496043	25HPA660A30	CNPH*6124A**+UI	58CV(A,X)155-22	56,000	46,000	12.4	1,705	1,365	59,000	3.74	8.8	36,800	2.76
3496038	25HPA660A30	CNPH*6124A**+UI	58MV(B,C)080-20	55,000	46,000	11.4	1,730	1,385	60,500	3.56	8.6	38,000	2.62
3496039	25HPA660A30	CNPH*6124A**+UI	58MV(B,C)100-20	55,000	45,500	11.6	1,660	1,330	60,000	3.56	8.5	37,600	2.64
3496040	25HPA660A30	CNPH*6124A**+UI	58MV(B,C)120-20	55,500	46,000	11.9	1,680	1,345	59,500	3.62	8.7	37,200	2.68
3496061	25HPA660A30	CNPV*6024A**	58MEB100-20	55,500	46,000	12.2	1,645	1,440	58,500	3.60	9.0	36,600	2.72
3496062	25HPA660A30	CNPV*6024A**	58MEB120-20	55,500	45,500	12.3	1,655	1,290	58,500	3.64	9.0	36,600	2.74
3496058	25HPA660A30	CNPV*6024A**	58PH*110-20	55,500	46,000	12.3	1,700	1,425	59,000	3.64	9.0	36,800	2.72
3496059	25HPA660A30	CNPV*6024A**	58PH*135-20	55,500	45,000	12.2	1,670	1,280	59,000	3.62	9.0	36,800	2.72
3514253	25HPA660A30	CNPV*6024A**	58VLR120-20	55,500	45,500	11.9	1,735	1,350	59,000	3.60	9.0	37,200	2.68
3514270	25HPA660A30	CNPV*6024A**	58VMR120-20	55,000	45,500	11.6	1,740	1,355	59,500	3.54	8.8	37,600	2.64
3496022	25HPA660A30	CNPV*6024A**+TDR		55,500	45,000	11.9	1,750	1,400	59,500	3.58	8.5	37,200	2.68
3514263	25HPA660A30	CNPV*6024A**+UI	58CV(A,X)110-20	55,000	45,500	12.0	1,695	1,355	59,000	3.60	9.0	37,000	2.70
3496024	25HPA660A30	CNPV*6024A**+UI	58CV(A,X)135-22	55,500	46,000	12.2	1,685	1,350	58,500	3.64	9.1	36,600	2.72
3496025	25HPA660A30	CNPV*6024A**+UI	58CV(A,X)155-22	55,500	46,000	12.4	1,705	1,365	58,500	3.66	8.8	36,600	2.74
3514261	25HPA660A30	CNPV*6024A**+UI	58MV(B,C)080-20	54,500	45,500	11.4	1,730	1,385	60,000	3.50	8.8	37,800	2.60
3514262	25HPA660A30	CNPV*6024A**+UI	58MV(B,C)100-20	54,500	45,000	11.6	1,660	1,330	59,500	3.50	8.8	37,400	2.62
3496023	25HPA660A30	CNPV*6024A**+UI	58MV(B,C)120-20	55,000	45,500	11.9	1,680	1,345	59,000	3.56	8.7	37,000	2.68
3496065	25HPA660A30	CNPV*6124A**	58MEB100-20	56,000	46,500	12.3	1,650	1,445	59,000	3.72	9.1	36,800	2.76
3496066	25HPA660A30	CNPV*6124A**	58MEB120-20	56,000	46,000	12.5	1,660	1,300	59,000	3.74	9.2	36,600	2.78
3496063	25HPA660A30	CNPV*6124A**	58PH*110-20	56,500	46,500	12.4	1,710	1,430	59,500	3.76	9.2	36,800	2.78
3496064	25HPA660A30	CNPV*6124A**	58PH*135-20	56,000	46,000	12.3	1,675	1,290	59,500	3.72	9.1	36,800	2.76
3514254	25HPA660A30	CNPV*6124A**	58VLR120-20	56,000	46,000	12.1	1,735	1,350	59,500	3.70	9.0	37,200	2.72
3514271	25HPA660A30	CNPV*6124A**	58VMR120-20	56,000	46,000	11.8	1,740	1,355	60,000	3.64	9.0	37,600	2.68
3496026	25HPA660A30	CNPV*6124A**+TDR		56,000	47,000	12.0	1,750	1,680	60,000	3.68	8.8	37,400	2.72

See notes on pg. 31

COMBINATION RATINGS CONTINUED

AHRI Ref. No.	Model Number	Coil Model Number	Furnace Model Number	Cooling Capacity		Cooling				AHRI Standard Ratings				
				High	Low	SEER	ID CFM		High Temp		HSPF	Low Temp		
							High	Low	E Capacity	COP		H Capacity	COP	
3514266	25HPA660A30	CNPV*6124A**+UI	58CV(A,X)110-20	56,000	46,000	12.2	15.0	1,695	1,355	59,500	3.70	9.0	37,000	2.74
3496028	25HPA660A30	CNPV*6124A**+UI	58CV(A,X)135-22	56,500	46,500	12.4	16.0	1,685	1,350	59,000	3.74	9.0	36,800	2.76
3496029	25HPA660A30	CNPV*6124A**+UI	58CV(A,X)155-22	56,500	46,500	12.5	16.2	1,705	1,365	59,000	3.78	9.0	36,800	2.80
3514264	25HPA660A30	CNPV*6124A**+UI	58MV(B,C)080-20	55,500	46,000	11.6	14.5	1,730	1,385	60,000	3.60	9.0	37,800	2.64
3514265	25HPA660A30	CNPV*6124A**+UI	58MV(B,C)100-20	55,500	45,500	11.8	14.5	1,660	1,330	60,000	3.60	9.0	37,400	2.66
3496027	25HPA660A30	CNPV*6124A**+UI	58MV(B,C)120-20	56,000	46,500	12.1	16.0	1,680	1,345	59,500	3.66	8.8	37,200	2.72
3496079	25HPA660A30	CSPH*6012A**	58MEB080-16	55,000	44,500	11.9	15.0	1,605	1,130	59,000	3.60	8.7	37,000	2.68
3496080	25HPA660A30	CSPH*6012A**	58MEB100-20	55,500	46,000	12.3	15.0	1,650	1,440	59,000	3.68	9.0	36,800	2.74
3496084	25HPA660A30	CSPH*6012A**	58MEB120-20	56,000	45,500	12.4	15.5	1,660	1,290	59,000	3.70	9.0	36,600	2.76
3496077	25HPA660A30	CSPH*6012A**	58PH*110-20	56,000	46,000	12.3	15.5	1,710	1,425	59,000	3.70	9.1	36,800	2.74
3496078	25HPA660A30	CSPH*6012A**	58PH*135-20	55,500	45,500	12.2	15.5	1,675	1,275	59,000	3.68	9.0	36,800	2.74
3514274	25HPA660A30	CSPH*6012A**	58VMR120-20	55,500	45,500	11.7	14.5	1,740	1,355	60,000	3.60	9.0	37,600	2.66
3496044	25HPA660A30	CSPH*6012A**+TDR	58VMR120-20	56,000	45,500	11.9	14.0	1,750	1,400	59,500	3.64	8.7	37,400	2.70
3496048	25HPA660A30	CSPH*6012A**+UI	58CV(A,X)110-20	55,500	46,000	12.1	15.5	1,695	1,355	59,000	3.66	8.8	37,000	2.72
3496049	25HPA660A30	CSPH*6012A**+UI	58CV(A,X)135-22	56,000	46,000	12.4	16.0	1,685	1,350	59,000	3.70	9.0	36,800	2.74
3496050	25HPA660A30	CSPH*6012A**+UI	58CV(A,X)155-22	56,000	46,000	12.5	16.0	1,705	1,365	59,000	3.74	8.8	36,600	2.78
3496045	25HPA660A30	CSPH*6012A**+UI	58MV(B,C)080-20	55,000	46,000	11.5	15.5	1,730	1,385	60,000	3.56	8.6	37,800	2.64
3496046	25HPA660A30	CSPH*6012A**+UI	58MV(B,C)100-20	55,000	46,000	11.6	15.5	1,660	1,330	59,500	3.56	8.5	37,400	2.64
3496047	25HPA660A30	CSPH*6012A**+UI	58MV(B,C)120-20	55,500	46,000	12.0	15.5	1,680	1,345	59,500	3.62	8.7	37,200	2.70

* Ratings are net values reflecting the effects of circulating fan heat. Supplemental electric heat is not included. Ratings are based on:

Cooling Standard: 80°F (27°C) db 67°F (19°C) wb indoor entering air, temperature and 95°F (35°C) db air entering outdoor unit.

High-Temp Heating Standard: 70°F (21°C) db indoor entering air, temperature and 47°F (8°C) db 43°F (6°C) wb air entering outdoor unit.

Low-Temp Heating Standard: 70°F (21°C) db indoor entering air, temperature and 17°F (-8°C) db 15°F (-9°C) wb air entering outdoor unit.

SEER — Seasonal Energy Efficiency Ratio

COP — Coefficient of Performance

TDR — Time-Delay Relay

HSPF — Heating Seasonal Performance Factor

EER — Energy Efficiency Ratio

NOTE: Ratings contained in this document are subject to change at any time. Always refer to the AHRI directory (www.ahridirectory.org) for the most up-to-date ratings information.

DETAILED COOLING CAPACITIES# CONTINUED

25HPA624A30 Outdoor Section With FV4CNF002 Indoor Section

Cooling Indoor Model	High Speed Cap.	Power	Low Speed Cap.	Power	Furnace Model	Cooling Indoor Model	High Speed Cap.	Power	Low Speed Cap.	Power	Furnace Model	Cooling Indoor Model	High Speed Cap.	Power	Low Speed Cap.	Power	Furnace Model
FV4CNF002	1.00	1.00	1.00	1.00	58CV(A,X)110-20	CAP**3617A**	1.00	1.00	1.03	1.04	58CV(A,X)110-20	CAP**3617A**	0.99	1.01	0.96	0.99	58MM(B,C)080-14
CAP**2414A**	0.98	1.11	0.97	1.17	58CV(A,X)110-20	CAP**3621A**	1.00	0.99	1.03	1.03	58CV(A,X)110-20	CAP**3621A**	0.99	1.00	0.96	0.99	58MM(B,C)080-14
CAP**3017A**	0.98	1.11	0.97	1.18	58CV(A,X)110-20	CNP**2417A**	1.00	1.01	1.04	1.08	58CV(A,X)110-20	CNP**2417A**	0.99	1.01	0.97	1.01	58MM(B,C)080-14
CAP**3014A**	0.98	1.11	0.97	1.18	58CV(A,X)110-20	CNP**3017A**	1.00	1.00	1.04	1.07	58CV(A,X)110-20	CNP**3017A**	0.99	1.00	0.97	1.00	58MM(B,C)080-14
CAP**3017A**	0.98	1.11	0.97	1.18	58CV(A,X)110-20	CNP**3014A**	1.00	1.02	1.03	1.06	58CV(A,X)110-20	CNP**3014A**	0.99	1.00	0.97	1.00	58MM(B,C)080-14
CAP**3614A**	0.98	1.11	0.97	1.17	58CV(A,X)110-20	CNP**3017A**	1.00	1.00	1.03	1.05	58CV(A,X)110-20	CNP**3017A**	0.99	1.02	0.96	1.00	58MM(B,C)080-14
CAP**3617A**	0.98	1.11	0.97	1.17	58CV(A,X)110-20	CNP**3117A**	1.01	0.99	1.05	1.06	58CV(A,X)110-20	CNP**3117A**	0.99	1.01	0.96	0.99	58MM(B,C)080-14
CAP**3621A**	0.98	1.11	0.97	1.17	58CV(A,X)110-20	CNP**3617A**	1.00	1.00	1.04	1.06	58CV(A,X)110-20	CNP**3617A**	0.99	1.00	0.97	1.00	58MM(B,C)080-14
CNP**2414A**	0.98	1.11	0.97	1.18	58CV(A,X)110-20	CNP**3621A**	1.00	1.00	1.04	1.06	58CV(A,X)110-20	CNP**3621A**	0.99	1.00	0.97	1.00	58MM(B,C)080-14
CNP**2417A**	0.98	1.11	0.97	1.18	58CV(A,X)110-20	CNP**3717A**	1.01	0.99	1.05	1.05	58CV(A,X)110-20	CNP**3717A**	0.99	1.00	0.97	1.00	58MM(B,C)080-14
CNP**3014A**	0.98	1.11	0.97	1.18	58HDV040-12	CAP**3619A**	1.01	1.04	1.01	1.03	58HDV040-12	CAP**3619A**	1.00	1.00	0.97	0.99	58MM(B,C)080-14
CNP**3017A**	0.98	1.13	0.97	1.19	58HDV060-12	CAP**3619A**	1.02	1.04	1.02	1.04	58HDV060-12	CAP**3619A**	0.98	1.00	1.02	1.04	58MM(B,C)080-14
CNP**3117A**	0.99	1.11	0.97	1.18	58MEB040-12	CAP**2414A**	1.02	1.01	1.03	1.03	58MEB040-12	CAP**2414A**	0.98	1.00	1.02	1.03	58MM(B,C)080-20
CNP**3617A**	0.98	1.10	0.98	1.19	58MEB040-12	CAP**2417A**	1.02	1.00	1.04	1.03	58MEB040-12	CAP**2417A**	0.98	0.99	1.02	1.03	58MM(B,C)080-20
CNP**3621A**	0.98	1.10	0.98	1.19	58MEB040-12	CAP**3014A**	1.02	1.00	1.04	1.03	58MEB040-12	CAP**3014A**	0.98	0.99	1.02	1.02	58MM(B,C)080-20
CSPH**2412A**	1.01	1.12	0.98	1.19	58MEB040-12	CAP**3017A**	1.03	1.00	1.04	1.03	58MEB040-12	CAP**3017A**	0.98	0.99	1.03	1.06	58MM(B,C)080-20
CSPH**3012A**	0.98	1.10	0.98	1.19	58MEB040-12	CAP**3614A**	1.03	1.07	1.04	1.03	58MEB040-12	CAP**3614A**	0.98	0.99	1.03	1.04	58MM(B,C)080-20
CSPH**3612A**	0.98	1.10	0.98	1.19	58MEB040-12	CAP**3617A**	1.03	1.00	1.05	1.04	58MEB040-12	CAP**3617A**	0.98	0.99	1.03	1.04	58MM(B,C)080-20
CAP**2414A**	0.99	1.02	0.96	1.01	58MEB040-12	CSPH**2412A**	1.00	1.01	1.01	1.02	58MEB040-12	CSPH**2412A**	0.98	1.00	1.02	1.05	58MM(B,C)080-20
CAP**2417A**	0.99	1.02	0.96	1.01	58MEB040-12	CSPH**3012A**	1.01	1.01	1.02	1.02	58MEB040-12	CSPH**3012A**	0.98	1.00	1.02	1.03	58MM(B,C)080-20
CNP**3014A**	0.99	1.01	0.97	1.01	58CV(A,X)070-12	CSPH**3612A**	1.03	1.01	1.04	1.02	58MEB040-12	CSPH**3612A**	0.99	1.00	1.02	1.03	58MM(B,C)080-20
CNP**3017A**	0.99	1.01	0.97	1.01	58CV(A,X)070-12	CAP**2417A**	1.03	1.01	1.03	1.03	58MEB060-12	CAP**2417A**	0.99	1.00	1.03	1.04	58MM(B,C)080-20
CNP**3117A**	0.99	1.01	0.97	1.01	58CV(A,X)070-12	CAP**3014A**	1.02	1.01	1.02	1.02	58MEB060-12	CAP**3014A**	0.99	1.00	1.02	1.03	58MM(B,C)080-20
CNP**3617A**	0.99	1.01	0.97	1.01	58CV(A,X)070-12	CAP**3017A**	1.03	1.00	1.04	1.03	58MEB060-12	CAP**3017A**	0.99	1.00	1.02	1.03	58MM(B,C)080-20
CNP**3621A**	0.99	1.02	0.96	1.00	58CV(A,X)070-12	CAP**3614A**	1.03	1.01	1.03	1.03	58MEB060-12	CAP**3614A**	0.98	0.99	1.03	1.03	58MM(B,C)080-20
CNP**2414A**	0.99	1.02	0.96	1.00	58CV(A,X)070-12	CAP**3617A**	1.02	1.01	1.02	1.01	58MEB060-12	CAP**3617A**	0.99	1.00	1.02	1.03	58MM(B,C)080-20
CNP**2417A**	0.99	1.02	0.96	1.00	58CV(A,X)070-12	CSPH**2412A**	1.00	1.02	0.99	1.01	58MEB060-12	CSPH**2412A**	1.00	1.00	1.03	1.03	58MM(B,C)080-20
CNP**3014A**	0.99	1.02	0.96	1.00	58CV(A,X)070-12	CSPH**3012A**	1.01	1.01	1.01	1.01	58MEB060-12	CSPH**3012A**	1.00	1.00	1.04	1.06	58MM(B,C)080-20
CNP**3017A**	0.99	1.02	0.96	1.00	58CV(A,X)070-12	CSPH**3612A**	1.03	1.01	1.03	1.02	58MEB060-12	CSPH**3612A**	0.99	0.98	1.04	1.05	58MM(B,C)080-20
CNP**3117A**	1.00	1.00	0.97	1.00	58CV(A,X)070-12	CAP**2414A**	1.01	1.00	1.06	1.07	58MEB080-12	CAP**2414A**	0.99	0.98	1.04	1.05	58MM(B,C)100-20
CNP**3617A**	0.99	1.00	0.97	1.01	58CV(A,X)070-12	CAP**2417A**	1.02	1.00	1.06	1.07	58MEB080-12	CAP**2417A**	1.00	1.01	1.03	1.05	58MM(B,C)100-20
CNP**3621A**	0.99	1.00	0.97	1.01	58CV(A,X)070-12	CAP**3014A**	1.02	1.00	1.06	1.07	58MEB080-12	CAP**3014A**	0.99	0.99	1.03	1.03	58MM(B,C)100-20
CNP**2414A**	0.99	1.02	0.96	1.00	58CV(A,X)070-12	CAP**3017A**	1.03	1.00	1.06	1.07	58MEB080-12	CAP**3017A**	0.99	0.99	1.03	1.03	58MM(B,C)100-20
CNP**2417A**	0.99	1.02	0.96	1.00	58CV(A,X)070-12	CAP**3614A**	1.03	1.00	1.06	1.07	58MEB080-12	CAP**3614A**	0.99	0.99	1.03	1.03	58MM(B,C)100-20
CNP**3014A**	0.99	1.01	0.97	1.01	58CV(A,X)090-16	CAP**3617A**	1.02	1.01	1.06	1.07	58MEB080-12	CAP**3617A**	1.00	1.02	1.04	1.04	58MM(B,C)100-20
CNP**3017A**	0.99	1.01	0.97	1.01	58CV(A,X)090-16	CAP**3621A**	1.02	1.00	1.06	1.07	58MEB080-12	CAP**3621A**	1.00	1.02	1.04	1.04	58MM(B,C)100-20
CNP**3117A**	0.99	1.01	0.97	1.01	58CV(A,X)090-16	CNP**2414A**	1.02	0.99	1.06	1.07	58MEB080-12	CNP**2414A**	1.00	1.00	1.05	1.05	58MM(B,C)100-20
CNP**3617A**	1.00	1.01	0.97	1.00	58CV(A,X)090-16	CNP**2417A**	1.03	1.00	1.06	1.07	58MEB080-12	CNP**2417A**	1.00	1.00	1.05	1.05	58MM(B,C)100-20
CNP**3621A**	1.00	1.01	0.97	1.00	58CV(A,X)090-16	CNP**3014A**	1.01	1.02	0.96	1.00	58MEB080-12	CNP**3014A**	0.99	0.98	1.04	1.05	58MM(B,C)100-20
CNP**2414A**	0.99	1.01	0.97	1.00	58CV(A,X)090-16	CNP**3017A**	1.01	1.02	0.96	0.99	58MEB080-12	CNP**3017A**	0.99	0.98	1.04	1.05	58MM(B,C)100-20
CNP**2417A**	0.99	1.01	0.97	1.00	58CV(A,X)090-16	CNP**3117A**	1.01	1.02	0.96	0.99	58MEB080-12	CNP**3117A**	1.00	1.01	1.03	1.03	58MM(B,C)100-20
CNP**3014A**	0.99	1.01	0.97	1.00	58CV(A,X)090-16	CNP**3617A**	1.02	1.00	1.06	1.07	58MEB080-12	CNP**3617A**	1.00	1.02	1.04	1.04	58MM(B,C)100-20
CNP**3017A**	0.99	1.01	0.97	1.00	58CV(A,X)090-16	CNP**3621A**	1.02	1.00	1.06	1.07	58MEB080-12	CNP**3621A**	1.00	1.02	1.04	1.04	58MM(B,C)100-20
CNP**3117A**	0.99	1.00	0.98	1.01	58CV(A,X)090-16	CNP**2414A**	1.01	1.02	0.96	1.00	58MEB080-12	CNP**2414A**	0.99	0.98	1.04	1.05	58MM(B,C)100-20
CNP**3617A**	1.00	1.00	0.98	1.01	58CV(A,X)090-16	CNP**2417A**	1.01	1.02	0.96	0.99	58MEB080-12	CNP**2417A**	1.00	1.00	1.04	1.04	58MM(B,C)100-20
CNP**3621A**	1.00	1.00	0.98	1.01	58CV(A,X)090-16	CNP**3014A**	1.01	1.02	0.96	0.99	58MEB080-12	CNP**3014A**	0.99	0.98	1.04	1.05	58MM(B,C)100-20
CNP**2414A**	0.99	1.00	0.98	1.01	58CV(A,X)090-16	CNP**3017A**	1.01	1.02	0.96	0.99	58MEB080-12	CNP**3017A**	1.00	1.00	1.04	1.04	58MM(B,C)100-20
CNP**2417A**	0.99	1.00	0.98	1.01	58CV(A,X)090-16	CNP**3117A**	1.01	1.02	0.96	0.99	58MEB080-12	CNP**3117A**	1.00	1.01	1.03	1.03	58MM(B,C)100-20
CNP**3014A**	0.99	1.00	0.98	1.01	58CV(A,X)090-16	CNP**3617A**	1.02	1.01	1.06	1.07	58MEB080-12	CNP**3617A**	1.00	1.02	1.04	1.04	58MM(B,C)100-20
CNP**3017A**	0.99	1.00	0.98	1.01	58CV(A,X)090-16	CNP**3621A**	1.02	1.00	1.06	1.07	58MEB080-12	CNP**3621A**	1.00	1.02	1.04	1.04	58MM(B,C)100-20
CNP**3117A**	0.99	1.00	0.98	1.01	58CV(A,X)110-20	CNP**2414A**	1.01	1.02	0.96	1.00	58MM(B,C)060-14	CNP**2414A**	0.99	0.98	1.04	1.05	58MM(B,C)100-20
CNP**3617A**	1.00	1.01	0.98	1.00	58CV(A,X)110-20	CNP**2417A**	1.01	1.02	0.96	0.99	58MM(B,C)060-14	CNP**2417A**	1.00	1.00	1.04	1.04	58MM(B,C)100-20
CNP**3621A**	1.00	1.01	0.98	1.00	58CV(A,X)110-20	CNP**3014A**	1.01	1.02	0.96	0.99	58MM(B,C)060-14	CNP**3014A**	0.99	0.98	1.04	1.05	58MM(B,C)100-20
CAP**3621A**	1.00	1.01	1.03	1.05	58MM(B,C)060-14	CNP**3017A**	1.01	1.02	0.96	0.99	58MM(B,C)060-14	CNP**3017A**	1.00	1.00	1.04	1.04	58MM(B,C)100-20
CNP**2417A**	1.00	1.01	1.03	1.05	58MM(B,C)060-14	CNP**3117A**	1.02	1.01									

DETAILED COOLING CAPACITIES# CONTINUED

25HPA62A30 Outdoor Section With FV4CNF002 Indoor Section

Cooling Indoor Model	High Speed Cap.	Power	Low Speed Cap.	Power	Furnace Model
CNPV*3017A**	1.00	1.01	1.00	1.01	58VLR105-12
CNPV*3117A**	1.01	1.00	1.01	1.00	58VLR105-12
CNPV*3617A**	1.00	1.01	1.00	1.01	58VLR105-12
CNPV*3621A**	1.00	1.00	1.00	1.01	58VLR105-12
CNPV*3717A**	1.01	1.00	1.01	1.01	58VLR105-12
CAP**2414A**	0.98	1.01	0.97	1.00	58VMR105-12
CAP**2417A**	0.98	1.01	0.97	1.00	58VMR105-12
CAP**3014A**	0.98	1.01	0.97	1.00	58VMR105-12
CAP**3017A**	0.98	1.00	0.97	1.00	58VMR105-12
CAP**3617A**	0.98	0.99	0.97	1.00	58VMR105-12
CAP**3621A**	0.99	1.00	0.97	0.99	58VMR105-12
CNPH*2417A**	0.98	1.01	0.98	1.01	58VMR105-12
CNPH*3017A**	0.98	1.00	0.97	1.00	58VMR105-12
CNPH*3617A**	0.98	1.00	0.97	1.00	58VMR105-12
CNPH*2417A**	0.98	1.01	0.98	1.01	58VMR105-12
CNPV*3017A**	0.98	1.00	0.97	1.00	58VMR105-12
CNPV*3117A**	0.99	1.00	0.98	1.00	58VMR105-12
CNPV*3617A**	0.98	1.00	0.97	1.00	58VMR105-12
CNPV*3621A**	0.98	1.00	0.97	1.00	58VMR105-12
CNPV*3717A**	0.99	0.99	0.98	0.99	58VMR105-12
CSPH*2412A**	0.98	1.01	0.97	1.01	58VMR105-12
CSPH*3012A**	0.98	1.01	0.97	1.00	58VMR105-12
CSPH*3612A**	0.99	1.01	0.97	1.00	58VMR105-12

See notes on pg. 43

DETAILED COOLING CAPACITIES# CONTINUED

EVAPORATOR AIR		CONDENSER ENTERING AIR TEMPERATURES ° F (° C)																																																																																																																																																																																																																																																																																																																																																																																																																																																																																																																																																																																																																																																																																																																																																																																																																																																																																																																																							
CFM	EWB ° F (° C)	75 (23.9)				85 (29.4)				95 (35)				105 (40.6)				115 (46.1)				125 (51.7)																																																																																																																																																																																																																																																																																																																																																																																																																																																																																																																																																																																																																																																																																																																																																																																																																																																																																																																			
		Capacity MBtuHt		Total System KW**	Capacity MBtuHt		Total System KW**	Capacity MBtuHt		Total System KW**	Capacity MBtuHt		Total System KW**	Capacity MBtuHt		Total System KW**	Capacity MBtuHt		Total System KW**	Capacity MBtuHt		Total System KW**																																																																																																																																																																																																																																																																																																																																																																																																																																																																																																																																																																																																																																																																																																																																																																																																																																																																																																																			
		Total	Sens†		Total	Sens†		Total	Sens†		Total	Sens†		Total	Sens†		Total	Sens†		Total	Sens†																																																																																																																																																																																																																																																																																																																																																																																																																																																																																																																																																																																																																																																																																																																																																																																																																																																																																																																				
25HPA636A30—HI Outdoor Section With FV4CNF003 Indoor Section																																																																																																																																																																																																																																																																																																																																																																																																																																																																																																																																																																																																																																																																																																																																																																																																																																																																																																																																									
900	72 (22.2)	40.32	19.79	2.20	38.48	19.08	2.45	36.55	18.35	2.72	34.55	17.60	3.02	32.43	16.82	3.38	30.22	16.02	3.75	29.24	15.55	3.99	27.19	14.89	4.21	25.14	14.34	4.43	23.09	13.80	4.65	21.04	13.27	4.87	18.99	12.82	5.09	17.04	12.40	5.31	15.14	11.99	5.53	13.29	11.75	5.77	10.64	11.58	6.01	9.49	11.47	6.25	8.29	11.26	6.50	7.14	11.05	6.75	6.09	6.09																																																																																																																																																																																																																																																																																																																																																																																																																																																																																																																																																																																																																																																																																																																																																																																																																																																																													
	67 (19.4)	36.52	23.79	2.17	34.83	23.08	2.42	33.05	22.33	2.69	31.19	21.55	2.99	29.24	20.73	3.34	27.19	19.89	3.75	25.14	18.99	4.21	23.09	17.60	4.65	21.04	16.82	4.87	18.99	15.55	5.09	17.04	14.34	5.31	15.14	11.99	5.53	13.29	11.75	5.77	10.64	11.58	6.01	9.49	11.47	6.25	8.29	11.26	6.50	7.14	11.05	6.75	6.09	6.09																																																																																																																																																																																																																																																																																																																																																																																																																																																																																																																																																																																																																																																																																																																																																																																																																																																																																			
	63 (17.2)††	33.70	22.87	2.15	32.11	22.14	2.40	30.44	21.38	2.67	28.71	20.59	2.97	26.87	19.78	3.32	24.94	18.83	3.72	22.87	18.99	4.21	20.59	17.60	4.65	18.99	16.82	4.87	17.04	14.34	5.09	17.04	14.34	5.31	15.14	11.99	5.53	13.29	11.75	5.77	10.64	11.58	6.01	9.49	11.47	6.25	8.29	11.26	6.50	7.14	11.05	6.75	6.09	6.09																																																																																																																																																																																																																																																																																																																																																																																																																																																																																																																																																																																																																																																																																																																																																																																																																																																																																			
	62 (16.7)	33.07	27.59	2.14	31.50	26.84	2.39	29.87	26.06	2.66	28.17	25.25	2.96	26.41	24.40	3.31	24.58	23.45	3.71	22.87	21.38	4.21	24.40	22.87	4.65	22.87	20.73	4.87	20.73	19.08	5.09	20.73	19.08	5.31	19.08	17.60	5.53	19.08	17.60	5.77	19.08	17.60	6.01	19.08	17.60	6.25	19.08	17.60	6.50	19.08	17.60	6.75	19.08	17.60	7.00	19.08	17.60	7.25	19.08	17.60	7.50	19.08	17.60	7.75	19.08	17.60	8.00	19.08	17.60	8.25	19.08	17.60	8.50	19.08	17.60	8.75	19.08	17.60	9.00	19.08	17.60	9.25	19.08	17.60	9.50	19.08	17.60	9.75	19.08	17.60	10.00	19.08	17.60	10.25	19.08	17.60	10.50	19.08	17.60	10.75	19.08	17.60	11.00	19.08	17.60	11.25	19.08	17.60	11.50	19.08	17.60	11.75	19.08	17.60	12.00	19.08	17.60	12.25	19.08	17.60	12.50	19.08	17.60	12.75	19.08	17.60	13.00	19.08	17.60	13.25	19.08	17.60	13.50	19.08	17.60	13.75	19.08	17.60	14.00	19.08	17.60	14.25	19.08	17.60	14.50	19.08	17.60	14.75	19.08	17.60	15.00	19.08	17.60	15.25	19.08	17.60	15.50	19.08	17.60	15.75	19.08	17.60	16.00	19.08	17.60	16.25	19.08	17.60	16.50	19.08	17.60	16.75	19.08	17.60	17.00	19.08	17.60	17.25	19.08	17.60	17.50	19.08	17.60	17.75	19.08	17.60	18.00	19.08	17.60	18.25	19.08	17.60	18.50	19.08	17.60	18.75	19.08	17.60	19.00	19.08	17.60	19.25	19.08	17.60	19.50	19.08	17.60	19.75	19.08	17.60	20.00	19.08	17.60	20.25	19.08	17.60	20.50	19.08	17.60	20.75	19.08	17.60	21.00	19.08	17.60	21.25	19.08	17.60	21.50	19.08	17.60	21.75	19.08	17.60	22.00	19.08	17.60	22.25	19.08	17.60	22.50	19.08	17.60	22.75	19.08	17.60	23.00	19.08	17.60	23.25	19.08	17.60	23.50	19.08	17.60	23.75	19.08	17.60	24.00	19.08	17.60	24.25	19.08	17.60	24.50	19.08	17.60	24.75	19.08	17.60	25.00	19.08	17.60	25.25	19.08	17.60	25.50	19.08	17.60	25.75	19.08	17.60	26.00	19.08	17.60	26.25	19.08	17.60	26.50	19.08	17.60	26.75	19.08	17.60	27.00	19.08	17.60	27.25	19.08	17.60	27.50	19.08	17.60	27.75	19.08	17.60	28.00	19.08	17.60	28.25	19.08	17.60	28.50	19.08	17.60	28.75	19.08	17.60	29.00	19.08	17.60	29.25	19.08	17.60	29.50	19.08	17.60	29.75	19.08	17.60	30.00	19.08	17.60	30.25	19.08	17.60	30.50	19.08	17.60	30.75	19.08	17.60	31.00	19.08	17.60	31.25	19.08	17.60	31.50	19.08	17.60	31.75	19.08	17.60	32.00	19.08	17.60	32.25	19.08	17.60	32.50	19.08	17.60	32.75	19.08	17.60	33.00	19.08	17.60	33.25	19.08	17.60	33.50	19.08	17.60	33.75	19.08	17.60	34.00	19.08	17.60	34.25	19.08	17.60	34.50	19.08	17.60	34.75	19.08	17.60	35.00	19.08	17.60	35.25	19.08	17.60	35.50	19.08	17.60	35.75	19.08	17.60	36.00	19.08	17.60	36.25	19.08	17.60	36.50	19.08	17.60	36.75	19.08	17.60	37.00	19.08	17.60	37.25	19.08	17.60	37.50	19.08	17.60	37.75	19.08	17.60	38.00	19.08	17.60	38.25	19.08	17.60	38.50	19.08	17.60	38.75	19.08	17.60	39.00	19.08	17.60	39.25	19.08	17.60	39.50	19.08	17.60	39.75	19.08	17.60	40.00	19.08	17.60	40.25	19.08	17.60	40.50	19.08	17.60	40.75	19.08	17.60	41.00	19.08	17.60	41.25	19.08	17.60	41.50	19.08	17.60	41.75	19.08	17.60	42.00	19.08	17.60	42.25	19.08	17.60	42.50	19.08	17.60	42.75	19.08	17.60	43.00	19.08	17.60	43.25	19.08	17.60	43.50	19.08	17.60	43.75	19.08	17.60	44.00	19.08	17.60	44.25	19.08	17.60	44.50	19.08	17.60	44.75	19.08	17.60	45.00	19.08	17.60	45.25	19.08	17.60	45.50	19.08	17.60	45.75	19.08	17.60	46.00	19.08	17.60	46.25	19.08	17.60	46.50	19.08	17.60	46.75	19.08	17.60	47.00	19.08	17.60	47.25	19.08	17.60	47.50	19.08	17.60	47.75	19.08	17.60	48.00	19.08	17.60	48.25	19.08	17.60	48.50	19.08	17.60	48.75	19.08	17.60	49.00	19.08	17.60	49.25	19.08	17.60	49.50	19.08	17.60	49.75	19.08	17.60	50.00	19.08	17.60	50.25	19.08	17.60	50.50	19.08	17.60	50.75	19.08	17.60	51.00	19.08	17.60	51.25	19.08	17.60	51.50	19.08	17.60	51.75	19.08	17.60	52.00	19.08	17.60	52.25	19.08	17.60	52.50	19.08	17.60	52.75	19.08	17.60	53.00	19.08	17.60	53.25	19.08	17.60	53.50	19.08	17.60	53.75	19.08	17.60	54.00	19.08	17.60	54.25	19.08	17.60	54.50	19.08	17.60	54.75	19.08	17.60	55.00	19.08	17.60	55.25	19.08	17.60	55.50	19.08	17.60	55.75	19.08	17.60	56.00	19.08	17.60	56.25	19.08	17.60	56.50	19.08	17.60	56.75	19.08	17.60	57.00	19.08	17.60	57.25	19.08	17.60	57.50	19.08	17.60	57.75	19.08	17.60	58.00	19.08	17.60	58.25	19.08	17.60	58.50	19.08	17.60	58.75	19.08	17.60	59.00	19.08	17.60	59.25	19.08	17.60	59.50	19.08	17.60	59.75	19.08	17.60	60.00	19.08	17.60	60.25	19.08	17.60	60.50	19.08	17.60	60.75	19.08	17.60	61.00	19.08	17.60	61.25	19.08	17.60	61.50	19.08	17.60	61.75	19.08	17.60	62.00	19.08	17.60	62.25	19.08	17.60	62.50	19.08	17.60	62.75	19.08	17.60	63.00	19.08	17.60	63.25	19.08	17.60	63.50	19.08	17.60	63.75	19.08	17.60	64.00	19.08	17.60	64.25	19.08	17.60	64.50	19.08	17.60	64.75	19.08	17.60	65.00	19.08	17.60	65.25	19.08	17.60	65.50	19.08	17.60	65.75	19.08	17.60	66.00	19.08	17.60	66.25	19.08	17.60	66.50	19.08	17.60	66.75	19.08	17.60	67.00	19.08	17.60	67.25	19.08	17.60	67.50	19.08	17.60	67.75	19.08	17.60	68.00	19.08	17.60	68.25	19.08	17.60	68.50	19.08	17.60	68.75	19.08	17.60	69.00	19.08	17.60	69.25	19.08	17.60	69.50	19.08	17.60	69.75	19.08	17.60	70.00	19.08	17.60	70.25	19.08	17.60	70.50	19.08	17.60	70.75	19.08	17.60	71.00	19.08	17.60	71.25	19.08	17.60	71.50	19.08	17.60	71.75	19.08	17.60	72.00	19.08	17.60	72.25	19.08	17.60	72.50	19.08	17.60	72.75	19.08	17.60	73.00	19.08	17.60	73.25	19.08	17.60	73.50	19.08	17.60	73.75	19.08	17.60	74.00	19.08	17.60	74.25	19.08	17.60	74.50	19.08	17.60	74.75	19.08	17.60	75.00	19.08	17.60	75.25	19.08	17.60	75.50	19.08	17.60	75.75	19.08	17.60	76.00	19.08	17.60	76.25	19.08	17.60	76.50	19.08	17.60	76.75	19.08	17.60	77.00	19.08	17.60	77.25	19.08	17.60	77.50	19.08	17.60	77.75	19

DETAILED COOLING CAPACITIES# CONTINUED

EVAPORATOR AIR		CONDENSER ENTERING AIR TEMPERATURES °F (°C)																	
CFM	EWB °F (°C)	75 (23.9)			85 (29.4)			95 (35)			105 (40.6)			115 (46.1)			125 (51.7)		
		Capacity MBtuHt	Total System KW**	Sensit	Capacity MBtuHt	Total System KW**	Sensit	Capacity MBtuHt	Total System KW**	Sensit	Capacity MBtuHt	Total System KW**	Sensit	Capacity MBtuHt	Total System KW**	Sensit	Capacity MBtuHt	Total System KW**	Sensit
25HPA648A30 - HI Outdoor Section With FV4CNF005 Indoor Section																			
1200	72 (22.2)	55.28	27.76	3.10	52.96	26.85	3.40	50.49	25.90	3.72	47.88	24.90	4.08	45.01	23.82	4.47	41.98	22.89	4.91
	67 (19.4)	50.06	33.46	3.06	47.95	32.54	3.35	45.68	31.57	3.67	43.26	30.55	4.02	40.65	29.43	4.42	37.83	28.24	4.85
	63 (17.2)††	46.20	32.17	3.02	44.23	31.24	3.32	42.12	30.28	3.63	39.85	29.23	3.98	37.41	28.11	4.37	34.75	26.91	4.81
	62 (16.7)	45.31	38.88	3.02	43.38	37.94	3.31	41.31	36.93	3.63	39.10	35.86	3.98	36.73	34.71	4.37	34.19	33.42	4.80
	57 (13.9)	42.55	42.55	2.99	41.09	41.09	3.29	39.52	39.52	3.61	37.81	37.81	3.96	35.96	35.96	4.36	33.92	33.92	4.80
	72 (22.2)	57.01	29.43	3.16	54.56	28.50	3.46	51.94	27.51	3.78	49.15	26.47	4.14	46.16	25.37	4.53	42.96	24.21	4.97
1400	67 (19.4)	51.65	36.00	3.12	49.41	35.03	3.41	47.00	34.00	3.73	44.43	32.92	4.08	41.68	31.77	4.48	38.71	30.54	4.91
	63 (17.2)††	47.69	34.52	3.08	45.60	33.55	3.37	43.34	32.55	3.69	40.95	31.44	4.04	38.37	30.28	4.43	35.58	29.04	4.87
	62 (16.7)	46.81	42.21	3.07	44.77	41.22	3.37	42.60	40.29	3.68	40.29	38.98	4.04	37.89	37.89	4.43	35.68	35.68	4.87
	57 (13.9)	44.98	44.98	3.06	43.39	43.39	3.35	41.68	41.68	3.68	39.82	39.82	4.03	37.82	37.82	4.43	35.62	35.62	4.87
	72 (22.2)	57.51	29.99	3.18	55.01	29.04	3.48	52.35	28.04	3.80	49.52	27.00	4.16	46.48	25.89	4.55	43.24	24.73	4.99
	67 (19.4)	52.12	36.82	3.14	49.82	35.84	3.43	47.37	34.81	3.75	44.77	33.72	4.10	41.96	32.55	4.49	38.96	31.32	4.93
1470	63 (17.2)††	48.13	35.29	3.10	45.99	34.31	3.39	43.70	33.27	3.71	41.26	32.18	4.06	38.64	31.01	4.45	35.82	29.76	4.89
	62 (16.7)	47.25	43.92	3.09	45.19	42.31	3.39	42.99	41.20	3.70	40.68	39.97	4.06	38.44	38.44	4.45	36.19	36.19	4.89
	57 (13.9)	45.74	45.74	3.08	44.10	44.10	3.38	42.35	42.35	3.70	40.44	40.44	4.05	38.38	38.38	4.45	36.14	36.14	4.89
	72 (22.2)	58.33	30.99	3.23	55.76	30.01	3.52	53.03	29.02	3.84	50.11	27.95	4.19	47.00	26.84	4.59	43.68	25.66	5.03
	67 (19.4)	52.87	38.32	3.17	50.50	37.32	3.47	47.98	36.27	3.79	45.31	35.17	4.14	42.43	33.98	4.53	39.37	32.73	4.97
	63 (17.2)††	48.83	36.68	3.13	46.82	35.69	3.43	44.27	34.63	3.75	41.76	33.51	4.10	39.08	32.33	4.49	36.20	31.06	4.92
1600	62 (16.7)	48.01	45.31	3.13	45.90	44.23	3.42	43.69	43.31	3.74	41.55	41.55	4.10	39.41	39.41	4.49	37.06	37.06	4.94
	57 (13.9)	47.01	47.01	3.12	45.31	45.31	3.42	43.67	43.67	3.74	41.48	41.48	4.10	39.35	39.35	4.49	37.01	37.01	4.94

EVAPORATOR AIR		CONDENSER ENTERING AIR TEMPERATURES °F (°C)																	
CFM	EWB °F (°C)	75 (23.9)			85 (29.4)			95 (35)			105 (40.6)			115 (46.1)			125 (51.7)		
		Capacity MBtuHt	Total System KW**	Sensit	Capacity MBtuHt	Total System KW**	Sensit	Capacity MBtuHt	Total System KW**	Sensit	Capacity MBtuHt	Total System KW**	Sensit	Capacity MBtuHt	Total System KW**	Sensit	Capacity MBtuHt	Total System KW**	Sensit
25HPA648A30 - LO Outdoor Section With FV4CNF005 Indoor Section																			
880	72 (22.2)	39.31	20.19	1.97	37.57	19.50	2.21	35.71	18.77	2.47	33.71	18.01	2.78	31.57	17.19	3.13	29.26	16.34	3.54
	67 (19.4)	35.33	24.29	1.98	33.74	23.59	2.23	32.04	22.85	2.50	30.21	22.07	2.81	28.24	21.23	3.17	26.13	20.32	3.58
	63 (17.2)††	32.40	23.24	1.99	30.93	22.55	2.24	29.34	21.82	2.52	27.64	21.02	2.83	25.80	20.17	3.20	23.82	19.27	3.63
	62 (16.7)	31.73	28.15	1.99	30.28	27.44	2.24	28.73	26.68	2.52	27.07	25.88	2.84	25.30	25.00	3.21	23.55	23.55	3.63
	57 (13.9)	29.89	29.89	2.00	28.82	28.82	2.25	27.66	27.66	2.53	26.39	26.39	2.85	25.01	25.01	3.21	23.51	23.51	3.63
	72 (22.2)	40.47	21.29	1.99	38.82	20.58	2.22	36.65	19.83	2.49	34.55	19.05	2.79	32.30	18.22	3.14	29.90	17.94	3.55
1000	67 (19.4)	36.39	25.93	2.00	34.70	25.18	2.24	32.91	24.41	2.51	30.98	23.58	2.82	28.92	22.71	3.17	26.71	21.78	3.59
	63 (17.2)††	33.38	24.76	2.00	31.82	24.02	2.25	30.15	23.25	2.53	28.35	22.42	2.84	26.43	21.55	3.21	24.36	20.82	3.63
	62 (16.7)	32.70	30.27	2.01	31.19	29.53	2.28	29.56	28.73	2.53	27.85	27.85	2.85	26.25	26.25	3.21	24.63	24.63	3.63
	57 (13.9)	31.45	31.45	2.01	30.30	30.30	2.26	29.04	29.04	2.54	27.68	27.68	2.85	26.20	26.20	3.21	24.58	24.58	3.63
	72 (22.2)	41.99	22.84	2.00	39.46	21.61	2.24	37.41	20.84	2.50	35.22	20.03	2.80	32.89	19.18	3.15	30.40	18.28	3.60
	67 (19.4)	37.23	27.43	2.01	35.47	26.67	2.25	33.59	25.87	2.52	31.59	25.03	2.83	29.45	24.14	3.19	27.17	23.19	3.56
1120	63 (17.2)††	34.17	26.17	2.02	32.53	25.41	2.27	30.78	24.61	2.54	28.92	23.77	2.86	26.92	22.88	3.22	24.79	21.92	3.64
	62 (16.7)	33.52	32.29	2.02	31.95	31.50	2.27	30.29	30.29	2.55	28.83	28.83	2.86	27.26	27.26	3.21	25.55	25.55	3.63
	57 (13.9)	32.81	31.57	2.02	31.57	31.57	2.27	30.23	30.23	2.55	28.78	28.78	2.86	27.21	27.21	3.21	25.51	25.51	3.63
	72 (22.2)	41.92	23.00	2.02	39.83	22.25	2.25	37.83	21.47	2.51	35.80	20.85	2.81	33.22	19.79	3.16	30.67	18.88	3.57
	67 (19.4)	37.71	28.40	2.02	35.90	27.63	2.26	33.97	26.82	2.53	31.93	25.97	2.84	29.75	25.06	3.19	27.42	24.10	3.61
	63 (17.2)††	34.61	27.07	2.03	32.83	26.30	2.28	31.14	25.50	2.55	29.23	24.64	2.87	27.20	23.73	3.22	25.03	22.76	3.65
1200	62 (16.7)	34.02	33.56	2.03	32.44	32.31	2.28	30.99	30.99	2.55	29.49	29.49	2.86	27.86	27.86	3.23	26.10	26.10	3.63
	57 (13.9)	33.62	33.62	2.03	32.33	32.33	2.28	30.94	30.94	2.55	29.44	29.44	2.86	27.82	27.82	3.22	26.06	26.06	3.63

DETAILED COOLING CAPACITIES# CONTINUED

25HPA649A30 Outdoor Section With FV4CNF003 Indoor Section

Table with 12 columns: Cooling Indoor Model, High Speed Cap., Power, Low Speed Cap., Furnace Model, Power, High Speed Cap., Power, Low Speed Cap., Furnace Model, Power, High Speed Cap., Power, Low Speed Cap., Furnace Model. Contains multiple rows of technical specifications for various cooling models and furnace configurations.

DETAILED COOLING CAPACITIES# CONTINUED

25HPA648A30 Outdoor Section With FV4CNF003 Indoor Section

Cooling Indoor Model	High Speed Cap.	Power	Low Speed Cap.	Power	Furnace Model
CNPV*4824A**	0.99	1.02	0.99	1.02	58PH*090-16
CNPV*6024A**	1.00	1.02	0.99	1.00	58PH*090-16
CNPV*6124A**	1.02	1.02	1.01	1.01	58PH*090-16
CSPH*4812A**	0.99	1.02	0.99	1.02	58PH*090-16
CSPH*6012A**	1.01	1.03	1.00	1.01	58PH*090-16
CNPH*4821A**	0.99	1.00	1.01	1.08	58PH*110-20
CNPH*6024A**	1.00	1.00	1.03	1.08	58PH*110-20
CNPH*6124A**	1.00	1.00	1.03	1.08	58PH*110-20
CNPV*4821A**	0.99	1.00	1.01	1.08	58PH*110-20
CNPV*4824A**	0.99	1.00	1.01	1.08	58PH*110-20
CNPV*6024A**	1.00	0.99	1.03	1.08	58PH*110-20
CNPV*6124A**	1.02	1.01	1.04	1.07	58PH*110-20
CSPH*4812A**	0.99	1.01	1.01	1.08	58PH*110-20
CSPH*6012A**	1.01	1.00	1.04	1.08	58PH*110-20
CNPH*4821A**	0.99	1.01	1.00	1.05	58PH*135-20
CNPH*6024A**	1.00	1.02	1.01	1.05	58PH*135-20
CNPH*6124A**	1.00	1.02	1.01	1.05	58PH*135-20
CNPV*4821A**	0.99	1.01	1.00	1.05	58PH*135-20
CNPV*4824A**	0.99	1.01	1.00	1.05	58PH*135-20
CNPV*6024A**	1.00	1.01	1.01	1.05	58PH*135-20
CNPV*6124A**	1.02	1.01	1.03	1.04	58PH*135-20
CSPH*4812A**	0.99	1.02	1.03	1.05	58PH*135-20
CAP**4817A**	0.98	1.02	0.99	1.04	58VLR120-20
CAP**4821A**	0.98	1.02	0.99	1.05	58VLR120-20
CAP**4824A**	0.98	1.01	0.99	1.04	58VLR120-20
CAP**6021A**	1.00	1.02	1.00	1.04	58VLR120-20
CAP**6024A**	1.00	1.02	1.00	1.04	58VLR120-20
CNPV*4821A**	0.98	1.01	0.99	1.03	58VLR120-20
CNPV*4824A**	0.98	1.01	0.99	1.03	58VLR120-20
CNPV*6024A**	1.00	1.02	1.00	1.03	58VLR120-20
CNPV*6124A**	1.01	1.01	1.01	1.02	58VLR120-20
CAP**4817A**	0.98	1.04	0.99	1.05	58VMR120-20
CAP**4821A**	0.97	1.03	0.99	1.06	58VMR120-20
CAP**4824A**	0.97	1.02	0.99	1.05	58VMR120-20
CAP**6021A**	0.99	1.02	1.00	1.05	58VMR120-20
CAP**6024A**	0.99	1.02	1.00	1.05	58VMR120-20
CNPH*4821A**	0.98	1.01	1.00	1.04	58VMR120-20
CNPH*6024A**	0.99	1.01	1.00	1.04	58VMR120-20
CNPH*6124A**	1.00	1.03	1.00	1.04	58VMR120-20
CNPV*4821A**	0.98	1.02	0.99	1.04	58VMR120-20
CNPV*4824A**	0.98	1.02	0.99	1.04	58VMR120-20
CNPV*6024A**	1.01	1.03	1.01	1.04	58VMR120-20
CNPV*6124A**	1.01	1.03	1.01	1.04	58VMR120-20
CSPH*4812A**	0.99	1.04	0.99	1.04	58VMR120-20
CSPH*6012A**	1.00	1.02	1.00	1.03	58VMR120-20

See notes on pg. 43

DETAILED COOLING CAPACITIES# CONTINUED

EVAPORATOR AIR		CONDENSER ENTERING AIR TEMPERATURES °F (°C)																	
CFM	EWB °F (°C)	75 (23.9)			85 (29.4)			95 (35)			105 (40.6)			115 (46.1)			125 (51.7)		
		Capacity MBtuHt		Total System KW**	Capacity MBtuHt		Total System KW**	Capacity MBtuHt		Total System KW**	Capacity MBtuHt		Total System KW**	Capacity MBtuHt		Total System KW**	Capacity MBtuHt		Total System KW**
		Total	Sens†		Total	Sens†		Total	Sens†		Total	Sens†		Total	Sens†		Total	Sens†	
25HPA60A30 Outdoor Section With FV4CNB006 Indoor Section																			
	72 (22.2)	66.14	33.31	32.17	4.00	60.03	30.96	4.43	56.63	28.67	4.89	52.94	28.30	5.41	48.93	26.84	5.99		
	67 (19.4)	60.18	40.51	39.33	3.94	54.67	36.16	4.36	51.58	36.88	4.83	48.24	35.50	5.35	44.61	33.99	5.92		
1600	63 (17.2)††	55.73	39.01	37.87	3.89	50.65	36.68	4.31	47.79	35.41	4.78	44.71	34.01	5.29	41.36	32.52	5.87		
	62 (16.7)	54.68	47.40	46.24	3.88	49.70	45.00	4.30	46.92	43.66	4.77	43.95	42.20	5.28	40.83	32.52	5.86		
	57 (13.9)	51.75	41.75	49.93	3.86	47.94	47.94	4.28	45.78	45.78	4.75	43.40	43.40	5.28	40.76	40.76	5.86		
	72 (22.2)	67.96	35.26	34.07	4.09	61.45	32.82	4.51	57.76	31.47	4.98	53.96	30.10	5.50	49.79	28.61	6.07		
	67 (19.4)	61.88	43.59	42.38	4.02	56.00	41.10	4.44	52.74	39.75	4.91	49.20	38.29	5.43	45.40	36.74	6.00		
1750	63 (17.2)††	57.36	41.87	40.67	3.97	51.94	39.41	4.39	48.92	38.06	4.86	45.65	36.61	5.37	42.15	35.07	5.95		
	62 (16.7)	56.32	51.44	50.21	3.96	53.79	48.86	4.39	48.23	47.84	4.85	45.46	45.46	5.37	42.59	42.59	5.96		
	57 (13.9)	54.55	54.55	52.54	3.95	50.38	50.38	4.38	48.00	48.00	4.85	45.39	45.39	5.37	42.52	42.52	5.95		
	72 (22.2)	68.46	35.88	34.69	4.11	61.85	33.43	4.54	58.00	32.03	5.00	54.25	30.69	5.52	50.00	29.20	6.10		
1835	67 (19.4)	62.85	44.56	43.34	4.05	56.37	42.05	4.47	53.05	40.68	4.94	49.46	39.21	5.45	45.62	37.65	6.03		
	63 (17.2)††	57.80	42.77	41.56	4.00	52.29	40.29	4.42	49.22	38.93	4.89	45.91	37.46	5.40	42.35	35.90	5.97		
	62 (16.7)	56.80	52.74	51.47	3.99	51.51	50.06	4.41	48.73	48.73	4.88	46.04	46.04	5.40	43.10	43.10	5.99		
	57 (13.9)	55.38	55.38	53.32	3.98	51.09	51.09	4.41	48.66	48.66	4.88	45.98	45.98	5.40	43.04	43.04	5.99		
2000	72 (22.2)	69.29	37.06	35.86	4.17	62.49	34.59	4.59	58.38	33.11	5.05	54.70	31.82	5.57	50.29	30.27	6.14		
	67 (19.4)	63.13	46.39	45.15	4.10	56.90	43.81	4.52	53.56	42.44	4.99	49.89	40.95	5.50	45.95	39.34	6.08		
	63 (17.2)††	58.55	44.48	43.25	4.05	52.88	41.95	4.47	49.72	40.56	4.94	46.35	39.08	5.45	42.69	37.47	6.02		
	62 (16.7)	57.85	55.15	53.75	4.04	52.42	52.42	4.47	49.87	49.87	4.94	47.07	47.07	5.46	43.98	43.98	6.05		
	57 (13.9)	56.85	56.85	54.68	4.04	52.35	52.35	4.47	49.80	49.80	4.94	47.01	47.01	5.46	43.94	43.94	6.04		

EVAPORATOR AIR		CONDENSER ENTERING AIR TEMPERATURES °F (°C)																	
CFM	EWB °F (°C)	75 (23.9)			85 (29.4)			95 (35)			105 (40.6)			115 (46.1)			125 (51.7)		
		Capacity MBtuHt		Total System KW**	Capacity MBtuHt		Total System KW**	Capacity MBtuHt		Total System KW**	Capacity MBtuHt		Total System KW**	Capacity MBtuHt		Total System KW**	Capacity MBtuHt		Total System KW**
		Total	Sens†		Total	Sens†		Total	Sens†		Total	Sens†		Total	Sens†		Total	Sens†	
25HPA60A30-LO Outdoor Section With FV4CNB006 Indoor Section																			
	72 (22.2)	47.05	24.18	23.32	2.68	42.58	22.47	3.01	40.08	21.54	3.38	37.38	20.55	3.80	34.49	19.50	4.30		
	67 (19.4)	42.62	29.41	28.58	2.71	38.46	27.69	3.04	36.19	26.75	3.42	33.74	25.73	3.86	31.12	24.64	4.37		
1100	63 (17.2)††	39.17	28.21	27.39	2.72	35.43	26.51	3.07	33.32	25.55	3.45	31.05	24.53	3.90	28.63	23.45	4.42		
	62 (16.7)	38.38	34.38	33.54	2.73	34.72	32.63	3.07	32.68	31.64	3.46	30.54	30.54	3.91	28.63	28.63	4.42		
	57 (13.9)	36.63	36.63	35.30	2.74	33.84	33.84	3.08	32.23	32.23	3.47	30.48	30.48	3.91	28.58	28.58	4.42		
	72 (22.2)	48.23	25.48	24.61	2.70	43.51	23.73	3.02	40.88	22.79	3.39	38.08	21.75	3.82	35.06	20.67	4.31		
1250	67 (19.4)	43.82	31.39	30.52	2.72	39.35	29.58	3.05	36.86	28.59	3.43	34.41	27.53	3.87	31.67	26.41	4.38		
	63 (17.2)††	40.22	30.05	29.18	2.74	36.27	28.25	3.08	34.06	27.26	3.47	31.69	26.21	3.91	29.16	25.10	4.43		
	62 (16.7)	39.44	36.97	36.08	2.75	35.63	35.09	3.09	33.72	33.72	3.47	31.83	31.83	3.91	29.79	29.79	4.41		
	57 (13.9)	38.41	38.41	36.97	2.75	35.39	35.39	3.09	33.66	33.66	3.47	31.78	31.78	3.91	29.74	29.74	4.41		
1400	72 (22.2)	49.16	26.71	25.81	2.72	44.26	24.91	3.04	41.54	23.93	3.41	38.61	22.88	3.83	35.49	21.79	4.33		
	67 (19.4)	44.50	33.23	32.33	2.74	40.04	31.37	3.07	37.56	30.35	3.45	34.91	29.27	3.88	32.10	28.13	4.39		
	63 (17.2)††	41.05	31.76	30.87	2.76	36.94	29.92	3.10	34.64	28.90	3.48	32.18	27.82	3.93	29.58	26.68	4.44		
	62 (16.7)	40.35	39.40	38.47	2.77	36.77	36.77	3.10	34.93	34.93	3.48	32.93	32.93	3.91	30.76	30.76	4.42		
	57 (13.9)	39.93	39.93	38.40	2.77	36.71	36.71	3.10	34.87	34.87	3.48	32.88	32.88	3.91	30.72	30.72	4.42		
1600	72 (22.2)	49.88	27.48	26.58	2.74	44.67	25.67	3.06	41.88	24.67	3.42	38.90	23.82	3.84	35.72	22.49	4.34		
	67 (19.4)	44.98	34.41	33.50	2.76	40.43	32.53	3.09	37.89	31.50	3.46	35.19	30.40	3.89	32.33	29.23	4.40		
	63 (17.2)††	41.51	32.86	31.96	2.78	37.30	30.99	3.11	34.95	29.96	3.50	32.46	28.87	3.94	29.81	27.70	4.45		
	62 (16.7)	40.91	40.91	39.31	2.78	37.55	37.55	3.11	35.64	35.64	3.49	33.57	33.57	3.92	31.32	31.32	4.42		
	57 (13.9)	40.84	40.84	39.25	2.78	37.49	37.49	3.11	35.59	35.59	3.49	33.52	33.52	3.92	31.28	31.28	4.42		

DETAILED COOLING CAPACITIES# CONTINUED

25HPA660A30 Outdoor Section With FV4CNB008 Indoor Section

Cooling Indoor Model	High Speed Cap.	Power	Low Speed Cap.	Furnace Model	Cooling Indoor Model	High Speed Cap.	Power	Low Speed Cap.	Furnace Model	Cooling Indoor Model	High Speed Cap.	Power	Low Speed Cap.	Furnace Model
FV4CNB006	1.00	1.00	1.00		CAP**6021A**	0.96	1.03	0.95	58MEB080-16	CAP**6021A**	0.97	1.04	0.96	58MV(B,C)120-20
CAP**6021A**	0.98	1.05	0.97		CNPV*6024A**	0.96	1.03	0.95	58MEB080-16	CNPV*6024A**	0.97	1.04	0.96	58MV(B,C)120-20
CAP**6024A**	0.98	1.05	0.97		CSPH*6024A**	0.97	1.03	0.96	58MEB080-16	CSPH*6024A**	0.97	1.03	0.97	58MV(B,C)120-20
CNPV*6024A**	0.98	1.05	0.97		CSPH*6012A**	0.97	1.02	0.96	58MEB080-16	CSPH*6012A**	0.98	1.05	0.97	58MV(B,C)120-20
CNPV*6012A**	0.98	1.05	0.98		CAP**6021A**	0.97	1.01	0.98	58MEB100-20	CAP**6021A**	0.97	1.03	0.96	58MV(B,C)120-20
CNPV*6024A**	0.99	1.07	0.97		CAP**6024A**	0.98	1.02	0.99	58MEB100-20	CAP**6024A**	0.99	1.03	0.97	58MV(B,C)120-20
CNPV*6012A**	0.99	1.04	1.01		CNPV*6024A**	0.97	1.01	0.99	58MEB100-20	CNPV*6024A**	0.98	1.04	0.98	58MV(B,C)120-20
CSPH*6012A**	0.99	1.05	0.98		CNPV*6012A**	0.98	1.01	0.99	58MEB100-20	CNPV*6012A**	0.98	1.01	0.98	58PH*110-20
CAP**6021A**	0.98	1.04	0.96	58CV(A,X)110-20	CNPV*6024A**	0.98	1.01	0.99	58MEB100-20	CNPV*6024A**	0.98	1.01	0.99	58PH*110-20
CAP**6024A**	0.98	1.03	0.96	58CV(A,X)110-20	CSPH*6024A**	0.99	1.01	0.98	58MEB100-20	CSPH*6024A**	0.98	1.01	0.99	58PH*110-20
CNPV*6024A**	0.98	1.03	0.97	58CV(A,X)110-20	CSPH*6012A**	0.98	1.01	0.99	58MEB100-20	CSPH*6012A**	0.99	1.02	0.99	58PH*110-20
CNPV*6012A**	0.98	1.03	0.98	58CV(A,X)110-20	CAP**6021A**	0.98	1.01	0.97	58MEB100-20	CAP**6021A**	0.98	1.01	0.99	58PH*110-20
CSPH*6024A**	0.98	1.03	0.96	58CV(A,X)110-20	CAP**6024A**	0.98	1.01	0.97	58MEB100-20	CAP**6024A**	0.98	1.01	0.99	58PH*110-20
CNPV*6024A**	0.98	1.03	0.96	58CV(A,X)110-20	CNPV*6012A**	0.98	1.01	0.97	58MEB100-20	CNPV*6012A**	0.98	1.01	0.99	58PH*110-20
CNPV*6012A**	0.98	1.02	0.97	58CV(A,X)110-20	CSPH*6024A**	0.98	1.01	0.98	58MEB100-20	CSPH*6024A**	0.98	1.02	1.00	58PH*135-20
CSPH*6012A**	0.98	1.02	0.98	58CV(A,X)110-20	CAP**6021A**	0.98	1.01	0.98	58MEB100-20	CAP**6021A**	0.97	1.01	0.97	58PH*135-20
CAP**6021A**	0.98	1.01	0.96	58CV(A,X)135-22	CNPV*6024A**	0.98	1.01	0.98	58MEB100-20	CNPV*6024A**	0.98	1.02	0.97	58PH*135-20
CAP**6024A**	0.98	1.01	0.96	58CV(A,X)135-22	CNPV*6012A**	0.99	1.00	0.99	58MEB100-20	CNPV*6012A**	0.98	1.02	0.97	58PH*135-20
CNPV*6024A**	0.98	1.01	0.97	58CV(A,X)135-22	CSPH*6024A**	0.99	1.01	0.98	58MEB100-20	CSPH*6024A**	0.98	1.01	0.97	58PH*135-20
CNPV*6012A**	0.98	1.01	0.97	58CV(A,X)135-22	CAP**6021A**	0.97	1.09	0.96	58MEB120-20	CAP**6021A**	0.98	1.01	0.97	58PH*135-20
CSPH*6024A**	0.98	1.01	0.96	58CV(A,X)135-22	CAP**6024A**	0.97	1.08	0.96	58MEB120-20	CAP**6024A**	0.99	1.02	0.99	58PH*135-20
CNPV*6024A**	0.98	1.01	0.96	58CV(A,X)135-22	CNPV*6024A**	0.97	1.08	0.96	58MEB120-20	CNPV*6024A**	0.99	1.02	0.99	58PH*135-20
CNPV*6012A**	0.98	1.02	0.98	58CV(A,X)135-22	CSPH*6024A**	0.97	1.08	0.96	58MEB120-20	CSPH*6024A**	0.98	1.01	0.97	58PH*135-20
CSPH*6012A**	0.98	1.02	0.98	58CV(A,X)135-22	CAP**6021A**	0.96	1.06	0.95	58MV(B,C)080-20	CAP**6021A**	0.97	1.07	0.97	58VLR120-20
CAP**6021A**	0.98	1.00	0.96	58CV(A,X)155-22	CAP**6024A**	0.96	1.06	0.95	58MV(B,C)080-20	CAP**6024A**	0.97	1.07	0.97	58VLR120-20
CAP**6024A**	0.98	1.00	0.96	58CV(A,X)155-22	CNPV*6024A**	0.97	1.06	0.95	58MV(B,C)100-20	CNPV*6024A**	0.97	1.06	0.98	58VMR120-20
CNPV*6024A**	0.98	1.00	0.96	58CV(A,X)155-22	CNPV*6012A**	0.96	1.05	0.95	58MV(B,C)100-20	CNPV*6012A**	0.97	1.06	0.98	58VMR120-20
CNPV*6012A**	0.98	1.00	0.96	58CV(A,X)155-22	CNPV*6024A**	0.96	1.05	0.95	58MV(B,C)100-20	CNPV*6024A**	0.97	1.07	0.98	58VMR120-20
CSPH*6024A**	0.98	1.00	0.96	58CV(A,X)155-22	CNPV*6012A**	0.97	1.07	0.97	58MV(B,C)100-20	CNPV*6012A**	0.97	1.06	0.98	58VMR120-20
CSPH*6012A**	0.98	1.01	0.97	58CV(A,X)155-22	CNPV*6024A**	0.96	1.05	0.95	58MV(B,C)100-20	CNPV*6024A**	0.97	1.06	0.98	58VMR120-20
CAP**6021A**	0.98	1.08	0.99	58HDV080--20	CNPV*6024A**	0.98	1.05	0.96	58MV(B,C)100-20	CNPV*6024A**	0.97	1.06	0.98	58VMR120-20
CAP**6024A**	0.98	1.07	0.99	58HDV100--20	CNPV*6012A**	0.98	1.05	0.96	58MV(B,C)100-20	CNPV*6012A**	0.99	1.06	0.99	58VMR120-20
CNPV*6025A**	0.98	1.07	0.99		CSPH*6012A**	0.97	1.06	0.97	58MV(B,C)100-20	CSPH*6012A**	0.98	1.06	0.98	58VMR120-20

* Tested combination.

† Total and sensible capacities are net capacities. Blower motor heat has been subtracted.

‡ Sensible capacities shown are based on 80°F (27°C) entering air at the indoor coil. For sensible capacities at other than 80°F (27°C), deduct 835 Btu/h (245 kW) per 1000 CFM (480 L/S) of indoor coil air for each degree below 80°F (27°C), or add 835 Btu/h (245 kW) per 1000 CFM (480 L/S) of indoor coil air per degree above 80°F (27°C).

** System kw is total of indoor and outdoor unit kilowatts.

†† At TVA rating indoor condition (75°F db/63°F ewb). All other indoor air temperatures are at 80°F db.

Detailed cooling capacities are based on indoor and outdoor unit at the same elevation per AHRI standard 210/240-08. If additional tubing length and/or indoor unit is located above outdoor unit, a slight variation in capacity may occur.

NOTE: When the required data falls between the published data, interpolation may be performed. Extrapolation is not an acceptable practice.

EWB — Entering Wet Bulb



HEAT PUMP HEATING PERFORMANCE

INDOOR AIR		OUTDOOR COIL ENTERING AIR TEMPERATURES ° F (° C)																
EDB ° F (° C)	CFM	-3 (-19.4)		7 (-13.9)		17 (-8.3)		27 (-2.8)		37 (2.8)		47 (8.3)		57 (13.9)		67 (19.4)		
		Capacity MBtuh	Total Sys. Kwft	Capacity MBtuh	Total Sys. Kwft	Capacity MBtuh	Total Sys. Kwft	Capacity MBtuh	Total Sys. Kwft	Capacity MBtuh	Total Sys. Kwft	Capacity MBtuh	Total Sys. Kwft	Capacity MBtuh	Total Sys. Kwft	Capacity MBtuh	Total Sys. Kwft	
		Total	Integ*	Total	Integ*	Total	Integ*	Total	Integ*	Total	Integ*	Total	Integ*	Total	Integ*	Total	Integ*	
25HPA624A30 Outdoor Section With FV4CNF002 Indoor Section																		
65 (18.3)	600	9.85	9.06	12.27	11.28	15.08	13.75	17.70	16.25	18.30	16.25	18.30	16.25	18.30	16.25	18.30	16.25	18.30
	700	9.98	9.18	12.45	11.44	15.31	13.96	16.71	16.51	18.59	16.51	18.59	16.51	18.59	16.51	18.59	16.51	18.59
	735	10.01	9.21	12.50	11.49	15.38	14.02	16.66	16.59	18.68	16.59	18.68	16.59	18.68	16.59	18.68	16.59	18.68
	800	10.08	9.28	12.59	11.57	15.49	14.12	16.65	16.70	18.80	16.70	18.80	16.70	18.80	16.70	18.80	16.70	18.80
70 (21.1)	600	9.62	8.85	12.01	11.04	14.77	13.47	17.93	17.93	19.92	17.93	19.92	17.93	19.92	17.93	19.92	17.93	19.92
	700	9.77	8.99	12.19	11.20	14.85	13.67	17.75	17.75	19.82	17.75	19.82	17.75	19.82	17.75	19.82	17.75	19.82
	735	9.81	9.03	12.24	11.25	14.96	13.73	17.81	17.81	19.88	17.81	19.88	17.81	19.88	17.81	19.88	17.81	19.88
	800	9.88	9.09	12.33	11.33	15.18	13.84	17.44	17.44	19.51	17.44	19.51	17.44	19.51	17.44	19.51	17.44	19.51
75 (23.9)	600	9.20	8.47	11.75	10.80	14.46	13.18	17.57	17.57	19.63	17.57	19.63	17.57	19.63	17.57	19.63	17.57	19.63
	700	9.51	8.75	11.92	10.95	14.68	13.38	17.85	17.85	19.91	17.85	19.91	17.85	19.91	17.85	19.91	17.85	19.91
	735	9.55	8.79	11.98	11.01	14.75	13.45	17.93	17.93	19.99	17.93	19.99	17.93	19.99	17.93	19.99	17.93	19.99
	800	9.63	8.86	12.07	11.09	14.86	13.55	18.07	18.07	20.14	18.07	20.14	18.07	20.14	18.07	20.14	18.07	20.14

INDOOR AIR		OUTDOOR COIL ENTERING AIR TEMPERATURES ° F (° C)															
EDB ° F (° C)	CFM	7 (-13.9)		17 (-8.3)		27 (-2.8)		37 (2.8)		47 (8.3)		57 (13.9)		67 (19.4)			
		Capacity MBtuh	Total Sys. Kwft	Capacity MBtuh	Total Sys. Kwft	Capacity MBtuh	Total Sys. Kwft	Capacity MBtuh	Total Sys. Kwft	Capacity MBtuh	Total Sys. Kwft	Capacity MBtuh	Total Sys. Kwft	Capacity MBtuh	Total Sys. Kwft		
		Total	Integ*	Total	Integ*	Total	Integ*	Total	Integ*	Total	Integ*	Total	Integ*	Total	Integ*		
25HPA624A30-LO Outdoor Section With FV4CNF002 Indoor Section																	
65 (18.3)	440	5.87	5.39	8.53	7.77	9.98	9.12	11.25	9.99	10.99	10.99	12.91	12.91	14.81	14.81	16.71	16.71
	490	5.96	5.48	8.77	8.00	9.97	9.12	11.40	10.12	11.06	11.06	12.98	12.98	14.88	14.88	16.78	16.78
	560	6.06	5.57	8.91	8.12	9.95	9.12	11.56	10.27	11.03	11.03	13.09	13.09	14.99	14.99	16.88	16.88
	625	6.14	5.64	9.00	8.21	9.98	9.12	11.69	10.39	11.01	11.01	13.13	13.13	15.03	15.03	16.93	16.93
70 (21.1)	440	5.20	4.78	7.71	7.03	8.11	7.49	9.51	8.51	9.51	9.51	11.43	11.43	13.33	13.33	15.23	15.23
	490	5.31	4.88	7.85	7.16	8.09	7.49	9.62	8.62	9.62	9.62	11.54	11.54	13.44	13.44	15.34	15.34
	560	5.42	4.98	8.00	7.30	8.07	7.49	9.76	8.76	9.76	9.76	11.68	11.68	13.58	13.58	15.48	15.48
	625	5.48	5.04	8.13	7.41	8.06	7.49	9.87	8.87	9.87	9.87	11.79	11.79	13.69	13.69	15.59	15.59
75 (23.9)	440	4.46	4.10	6.95	6.33	7.25	6.63	7.95	7.25	8.16	8.16	9.83	9.83	11.50	11.50	13.17	13.17
	490	4.55	4.18	7.07	6.45	7.33	6.71	8.02	7.33	8.24	8.24	9.91	9.91	11.58	11.58	13.25	13.25
	560	4.65	4.27	7.23	6.59	7.51	6.89	8.20	7.51	8.42	8.42	10.09	10.09	11.76	11.76	13.43	13.43
	625	4.73	4.35	7.34	6.69	7.61	7.00	8.31	7.61	8.52	8.52	10.20	10.20	11.87	11.87	13.54	13.54

See notes on pg. 55

HEAT PUMP HEATING PERFORMANCE CONTINUED

25HPA62A30 Outdoor Section With FV4CNF002 Indoor Section

Heating Indoor Model	High Speed Cap.	Power	Low Speed Cap.	Power	Furnace Model
CNPV*2417A**	1.01	1.01	1.01	0.99	58VLR105-12
CNPV*3017A**	1.02	1.02	1.00	0.98	58VLR105-12
CNPV*3117A**	1.01	0.98	1.01	0.96	58VLR105-12
CNPV*3617A**	1.00	1.02	1.00	0.98	58VLR105-12
CNPV*3621A**	1.00	1.02	1.00	0.98	58VLR105-12
CNPV*3717A**	1.02	0.97	1.02	0.95	58VLR105-12
CAP**2414A**	0.99	1.03	0.99	1.03	58VMR105-12
CAP**2417A**	0.99	1.03	0.99	1.03	58VMR105-12
CAP**3014A**	0.99	1.04	0.99	1.02	58VMR105-12
CAP**3017A**	0.99	1.03	0.99	1.02	58VMR105-12
CAP**3617A**	0.99	1.02	0.99	1.01	58VMR105-12
CAP**3621A**	0.99	1.02	0.99	1.01	58VMR105-12
CNPH*2417A**	1.00	1.02	0.99	1.02	58VMR105-12
CNPH*3017A**	0.99	1.03	0.99	1.02	58VMR105-12
CNPH*3617A**	0.99	1.03	0.99	1.02	58VMR105-12
CNPV*2417A**	1.00	1.02	0.99	1.02	58VMR105-12
CNPV*3017A**	0.99	1.03	0.99	1.02	58VMR105-12
CNPV*3117A**	1.01	0.99	1.00	1.00	58VMR105-12
CNPV*3617A**	0.99	1.03	0.99	1.02	58VMR105-12
CNPV*3621A**	0.99	1.03	0.99	1.02	58VMR105-12
CNPV*3717A**	1.01	0.97	1.00	0.98	58VMR105-12
CSPH*2412A**	1.00	1.03	0.99	1.03	58VMR105-12
CSPH*3012A**	0.99	1.03	0.99	1.02	58VMR105-12
CSPH*3612A**	1.00	1.00	0.99	1.01	58VMR105-12

See notes on pg. 55

HEAT PUMP HEATING PERFORMANCE CONTINUED

INDOOR AIR		OUTDOOR COIL ENTERING AIR TEMPERATURES ° F (° C)																				
EDB ° F (° C)	CFM	-3 (-19.4)		7 (-13.9)		17 (-8.3)		27 (-2.8)		37 (2.8)		47 (8.3)		57 (13.9)		67 (19.4)						
		Capacity MBtuh	Total Sys. KWt	Capacity MBtuh	Total Sys. KWt	Capacity MBtuh	Total Sys. KWt	Capacity MBtuh	Total Sys. KWt	Capacity MBtuh	Total Sys. KWt	Capacity MBtuh	Total Sys. KWt	Capacity MBtuh	Total Sys. KWt	Capacity MBtuh	Total Sys. KWt					
65 (18.3)	900	11.38	10.47	15.68	14.41	2.03	20.39	18.59	23.00	2.38	30.93	28.14	2.57	36.58	36.58	2.79	42.90	42.90	3.06	49.91	49.91	3.39
	1050	11.65	10.71	1.89	16.02	14.72	2.02	20.84	19.00	2.16	26.33	23.39	2.33	31.50	28.66	2.50	37.31	43.83	2.95	51.08	51.08	3.25
	1100	11.72	10.78	1.89	16.12	14.81	2.02	20.98	19.12	2.15	26.44	23.48	2.32	31.66	28.81	2.49	37.52	44.09	2.92	51.40	51.40	3.22
	1200	11.88	10.93	1.90	16.30	14.98	2.02	21.23	19.36	2.15	26.67	23.69	2.30	31.94	29.07	2.46	37.89	44.56	2.88	51.97	51.97	3.16
70 (21.1)	900	10.72	9.86	1.98	14.98	13.76	2.13	19.64	17.91	2.28	25.35	22.52	2.49	30.31	27.59	2.68	35.89	35.89	2.91	42.10	42.10	3.19
	1050	10.97	10.10	1.98	15.33	14.08	2.12	20.10	18.32	2.26	25.80	22.91	2.44	30.87	28.09	2.61	36.60	36.60	2.82	43.02	43.02	3.07
	1100	11.06	10.17	1.98	15.43	14.18	2.11	20.23	18.44	2.25	25.93	23.03	2.43	31.04	28.24	2.60	36.80	36.80	2.80	43.28	43.28	3.05
	1200	11.20	10.30	1.99	15.61	14.34	2.11	20.46	18.66	2.24	26.13	23.20	2.41	31.31	28.50	2.57	37.16	37.16	2.76	43.73	43.73	3.00
75 (23.9)	900	10.00	9.20	2.07	14.24	13.09	2.22	18.86	17.20	2.38	24.27	21.56	2.57	29.71	27.04	2.80	35.19	35.19	3.04	41.32	41.32	3.33
	1050	10.25	9.43	2.07	14.59	13.41	2.21	19.31	17.61	2.36	25.21	22.39	2.55	30.25	27.53	2.73	35.90	35.90	2.95	42.21	42.21	3.20
	1100	10.36	9.53	2.07	14.69	13.50	2.21	19.44	17.73	2.35	25.35	22.51	2.54	30.41	27.67	2.72	36.08	36.08	2.92	42.46	42.46	3.17
	1200	10.48	9.64	2.08	14.88	13.67	2.21	19.68	17.94	2.34	25.58	22.72	2.52	30.68	27.92	2.69	36.45	36.45	2.89	42.91	42.91	3.13

INDOOR AIR		OUTDOOR COIL ENTERING AIR TEMPERATURES ° F (° C)																				
EDB ° F (° C)	CFM	7 (-13.9)		17 (-8.3)		27 (-2.8)		37 (2.8)		47 (8.3)		57 (13.9)		67 (19.4)								
		Capacity MBtuh	Total Sys. KWt	Capacity MBtuh	Total Sys. KWt	Capacity MBtuh	Total Sys. KWt	Capacity MBtuh	Total Sys. KWt	Capacity MBtuh	Total Sys. KWt	Capacity MBtuh	Total Sys. KWt	Capacity MBtuh	Total Sys. KWt							
65 (18.3)	660	7.38	6.78	1.56	10.86	9.90	1.62	14.67	13.03	1.69	18.77	17.09	1.76	23.74	23.74	1.88	28.03	28.03	1.97	32.66	32.66	2.07
	735	7.52	6.92	1.55	11.08	10.10	1.61	14.97	13.30	1.67	19.19	17.46	1.73	24.17	24.17	1.83	28.55	28.55	1.91	33.36	33.36	2.01
	840	7.69	7.07	1.55	11.34	10.34	1.60	15.32	13.61	1.64	19.67	17.90	1.70	24.62	24.62	1.79	29.15	29.15	1.86	34.15	34.15	1.94
	930	7.83	7.19	1.55	11.52	10.50	1.59	15.54	13.80	1.63	20.01	18.21	1.68	24.94	24.94	1.76	29.60	29.60	1.82	34.72	34.72	1.90
70 (21.1)	660	6.71	6.17	1.63	10.17	9.27	1.70	13.92	12.36	1.76	18.00	16.38	1.84	22.62	22.62	1.93	27.35	27.35	2.05	31.91	31.91	2.17
	735	6.86	6.30	1.63	10.38	9.47	1.69	14.24	12.65	1.74	18.40	16.74	1.81	23.51	23.51	1.92	27.87	27.87	2.00	32.57	32.57	2.10
	840	7.03	6.46	1.63	10.64	9.70	1.67	14.56	12.93	1.72	18.86	17.16	1.78	24.00	24.00	1.87	28.45	28.45	1.94	33.34	33.34	2.03
	930	7.15	6.57	1.62	10.81	9.85	1.67	14.82	13.17	1.71	19.19	17.46	1.76	24.33	24.33	1.84	28.88	28.88	1.90	33.89	33.89	1.98
75 (23.9)	660	5.98	5.49	1.71	9.43	8.60	1.78	13.15	11.68	1.84	17.20	15.66	1.92	21.61	21.61	2.01	26.68	26.68	2.15	31.15	31.15	2.26
	735	6.14	5.64	1.71	9.64	8.79	1.76	13.45	11.95	1.82	17.60	16.01	1.89	22.23	22.23	1.97	27.20	27.20	2.09	31.76	31.76	2.19
	840	6.31	5.79	1.71	9.89	9.02	1.75	13.79	12.25	1.80	18.02	16.40	1.86	22.94	22.94	1.93	27.74	27.74	2.03	32.55	32.55	2.12
	930	6.44	5.91	1.70	10.07	9.18	1.75	14.05	12.48	1.79	18.34	16.69	1.84	23.66	23.66	1.93	28.15	28.15	1.99	33.06	33.06	2.07

See notes on pg. 55



HEAT PUMP HEATING PERFORMANCE CONTINUED

25-HPA636A30 Outdoor Section With FV4C-NF003 Indoor Section

Cooling Indoor Model	High Speed Cap.	Power	Low Speed Cap.	Power	High Speed Cap.	Power	Low Speed Cap.	Power	Furnace Model
CSPH*4212A**	1.01	1.01	1.02	0.99	1.01	1.01	1.02	0.99	58VMR105-12
CSPH*4812A**	1.02	1.00	1.03	0.98	1.00	1.03	0.98	1.01	58VMR105-12
CAP**3617A**	1.00	1.03	1.00	1.02	1.00	1.02	0.98	1.01	58VMR120-20
CAP**3621A**	1.00	1.02	1.00	0.98	1.00	1.02	0.98	1.01	58VMR120-20
CAP**4221A**	1.00	1.01	1.00	0.98	1.00	1.01	0.98	1.00	58VMR120-20
CAP**4224A**	1.00	1.01	1.00	0.98	1.00	1.01	0.98	1.00	58VMR120-20
CAP**4817A**	1.02	0.99	1.00	0.99	1.00	0.99	1.00	1.00	58VMR120-20
CAP**4821A**	1.01	1.00	0.99	1.00	1.00	0.99	1.00	1.00	58VMR120-20
CAP**4824A**	1.01	0.99	1.00	0.99	1.00	0.99	1.00	1.00	58VMR120-20
CNPH*3617A**	1.00	1.03	1.00	1.02	1.00	1.03	0.98	1.02	58VMR120-20
CNPH*3617A**	1.00	1.03	1.00	1.02	1.00	1.03	0.98	1.02	58VMR120-20
CNPH*4221A**	1.01	1.01	1.00	0.99	1.01	1.01	0.99	1.00	58VMR120-20
CNPH*4221A**	1.01	1.02	1.00	0.99	1.01	1.02	0.99	1.01	58VMR120-20
CNPH*4821A**	1.02	0.98	1.00	0.99	1.02	0.98	1.00	0.99	58VMR120-20
CNPH*4821A**	1.01	0.99	1.00	0.99	1.01	0.99	0.99	0.99	58VMR120-20
CNPH*4824A**	1.01	0.99	1.00	0.99	1.01	0.99	0.99	0.99	58VMR120-20
CSPH*3612A**	1.01	1.00	0.99	1.00	1.01	1.00	0.99	1.00	58VMR120-20
CSPH*4212A**	1.01	1.01	1.00	0.99	1.01	1.01	0.99	1.00	58VMR120-20

Cooling Indoor Model	High Speed Cap.	Power	Low Speed Cap.	Power	Furnace Model
CNVP*3717A**	1.03	0.97	1.04	0.97	58PH*090-16
CNVP*4217A**	1.02	0.99	1.03	0.99	58PH*090-16
CNVP*4221A**	1.01	1.00	1.00	1.00	58PH*090-16
CNVP*4321A**	1.03	0.96	1.05	0.97	58PH*090-16
CNVP*4821A**	1.02	0.98	1.04	0.97	58PH*090-16
CNVP*4824A**	1.02	0.98	1.04	0.97	58PH*090-16
CSPH*3612A**	1.02	0.99	1.03	0.98	58PH*090-16
CSPH*4212A**	1.02	0.98	1.04	0.98	58PH*090-16
CAP**3617A**	1.01	1.00	1.00	1.03	58PH*110-20
CAP**3621A**	1.01	1.00	1.08	1.02	58PH*110-20
CAP**4221A**	1.01	0.99	1.09	1.02	58PH*110-20
CAP**4817A**	1.01	1.03	1.02	1.00	58VLR105-12
CAP**4821A**	1.01	1.03	1.02	1.00	58VLR105-12
CAP**4221A**	1.01	1.01	1.02	1.00	58VLR105-12
CAP**4817A**	1.03	0.99	1.03	0.98	58VLR105-12
CAP**4821A**	1.02	1.00	1.02	0.98	58VLR105-12
CNVP*3617A**	1.01	1.04	1.02	1.01	58VLR105-12
CNVP*3621A**	1.01	1.04	1.02	1.01	58VLR105-12
CNVP*3717A**	1.03	0.99	1.03	0.97	58VLR105-12
CNVP*4217A**	1.02	1.01	1.02	0.99	58VLR105-12
CNVP*4221A**	1.02	1.02	1.02	1.00	58VLR105-12
CNVP*4321A**	1.03	0.98	1.03	0.97	58VLR105-12
CNVP*4821A**	1.02	0.99	1.02	0.98	58VLR105-12
CAP**3617A**	1.00	1.02	0.99	1.00	58VLR120-20
CAP**3621A**	0.99	1.01	0.99	1.00	58VLR120-20
CAP**4221A**	1.00	1.00	0.99	0.99	58VLR120-20
CAP**4224A**	1.00	1.00	0.99	0.99	58VLR120-20
CAP**4817A**	1.02	0.98	1.01	0.98	58VLR120-20
CAP**4821A**	1.01	0.99	1.00	0.98	58VLR120-20
CAP**4824A**	1.01	0.98	1.00	0.98	58VLR120-20
CNVP*3617A**	1.00	1.02	0.99	1.00	58VLR120-20
CNVP*3621A**	1.00	1.02	0.99	1.00	58VLR120-20
CNVP*3717A**	1.02	0.97	1.01	0.97	58VLR120-20
CNVP*4217A**	1.01	0.99	1.00	0.99	58VLR120-20
CNVP*4221A**	1.01	1.01	1.00	0.99	58VLR120-20
CNVP*4321A**	1.02	0.97	1.01	0.97	58VLR120-20
CNVP*4821A**	1.01	0.98	1.00	0.97	58VLR120-20
CNVP*4824A**	1.01	0.98	1.00	0.97	58VLR120-20
CAP**3617A**	1.00	1.04	1.00	1.00	58VMR105-12
CAP**3621A**	1.00	1.03	1.00	1.00	58VMR105-12
CAP**4221A**	1.00	1.02	1.01	1.00	58VMR105-12
CAP**4221A**	1.00	1.02	1.01	1.00	58VMR105-12
CAP**4817A**	1.01	1.01	1.01	0.98	58VMR105-12
CAP**4821A**	1.01	1.01	1.01	0.98	58VMR105-12
CNPH*3617A**	1.01	1.05	1.00	1.01	58VMR105-12
CNPH*4221A**	1.01	1.03	1.01	1.00	58VMR105-12
CNVP*3617A**	1.00	1.05	1.00	1.01	58VMR105-12
CNVP*3621A**	1.00	1.05	1.00	1.01	58VMR105-12
CNVP*3717A**	1.02	0.99	1.02	0.98	58VMR105-12
CNVP*4217A**	1.01	1.02	1.01	0.99	58VMR105-12
CNVP*4221A**	1.01	1.02	1.01	0.99	58VMR105-12
CNVP*4321A**	1.01	1.03	1.01	1.00	58VMR105-12
CNVP*4821A**	1.01	1.00	1.02	0.99	58VMR105-12
CNVP*4824A**	1.01	1.00	1.01	0.98	58VMR105-12
CSPH*3612A**	1.01	1.02	1.01	0.99	58VMR105-12

See notes on pg. 55

HEAT PUMP HEATING PERFORMANCE CONTINUED

INDOOR AIR		OUTDOOR COIL ENTERING AIR TEMPERATURES ° F (° C)															
EDB ° F (° C)	CFM	-3 (-19.4)		7 (-13.9)		17 (-8.3)		27 (-2.8)		37 (2.8)		47 (8.3)		57 (13.9)		67 (19.4)	
		Capacity MBtuh	Total Sys. KWt	Capacity MBtuh	Total Sys. KWt	Capacity MBtuh	Total Sys. KWt	Capacity MBtuh	Total Sys. KWt	Capacity MBtuh	Total Sys. KWt	Capacity MBtuh	Total Sys. KWt	Capacity MBtuh	Total Sys. KWt	Capacity MBtuh	Total Sys. KWt
65 (18.3)	1200	16.58	2.68	21.92	2.85	28.56	3.06	34.31	3.26	40.74	3.48	47.96	3.74	56.03	3.95	65.46	4.45
	1400	16.93	2.69	22.35	2.85	28.99	3.04	34.81	3.22	41.41	3.42	48.82	3.66	57.15	3.95	67.00	4.33
	1470	17.04	2.70	22.48	2.85	29.11	3.04	34.96	3.21	41.61	3.41	49.07	3.64	57.48	3.93	67.43	4.30
	1600	17.22	2.71	22.70	2.86	29.32	3.04	35.22	3.20	41.94	3.39	49.49	3.62	58.01	3.89	68.14	4.26
70 (21.1)	1200	15.85	2.80	21.21	2.98	27.18	3.16	33.75	3.40	40.05	3.62	47.15	3.89	55.09	4.20	64.24	4.61
	1400	16.22	2.81	21.65	2.97	27.97	3.15	34.26	3.36	40.72	3.56	48.00	3.80	56.18	4.10	65.77	4.48
	1470	16.35	2.82	21.78	2.97	28.59	3.16	34.42	3.35	40.92	3.55	48.25	3.78	56.48	4.07	66.20	4.45
	1600	16.54	2.83	21.99	2.98	28.82	3.16	34.68	3.34	41.26	3.53	48.67	3.76	57.01	4.04	66.90	4.40
75 (23.9)	1200	15.08	2.91	20.43	3.10	26.30	3.29	33.18	3.54	39.37	3.77	46.32	4.04	54.15	4.36	63.03	4.77
	1400	15.45	2.93	20.89	3.10	26.88	3.27	33.67	3.50	40.02	3.70	47.18	3.95	55.23	4.25	64.53	4.64
	1470	15.57	2.93	21.03	3.10	27.06	3.27	33.84	3.49	40.22	3.69	47.43	3.93	55.53	4.22	64.96	4.60
	1600	15.77	2.95	21.26	3.11	27.37	3.27	34.11	3.48	40.56	3.67	47.85	3.90	56.04	4.18	65.66	4.56

INDOOR AIR		OUTDOOR COIL ENTERING AIR TEMPERATURES ° F (° C)													
EDB ° F (° C)	CFM	7 (-13.9)		17 (-8.3)		27 (-2.8)		37 (2.8)		47 (8.3)		57 (13.9)		67 (19.4)	
		Capacity MBtuh	Total Sys. KWt	Capacity MBtuh	Total Sys. KWt	Capacity MBtuh	Total Sys. KWt	Capacity MBtuh	Total Sys. KWt	Capacity MBtuh	Total Sys. KWt	Capacity MBtuh	Total Sys. KWt	Capacity MBtuh	Total Sys. KWt
65 (18.3)	880	11.70	10.75	16.24	14.81	21.24	19.87	27.12	24.68	32.78	29.78	38.59	35.99	45.05	42.92
	1000	11.94	10.97	16.56	15.10	21.61	19.20	27.86	25.36	33.27	30.29	39.29	36.49	45.99	43.86
	1120	12.14	11.15	16.84	15.35	21.98	19.52	28.19	25.65	33.68	30.68	39.85	37.05	46.73	44.60
	1200	12.25	11.26	16.99	15.49	22.17	19.69	28.37	25.81	33.93	30.93	40.17	37.37	47.15	45.02
70 (21.1)	880	11.03	10.14	15.57	14.19	20.53	18.24	26.03	23.68	32.19	29.79	37.89	35.49	44.24	41.84
	1000	11.27	10.36	15.89	14.49	20.95	18.60	26.75	24.35	32.71	30.31	38.58	36.18	45.15	42.75
	1120	11.46	10.53	16.15	14.73	21.28	18.90	27.42	24.95	33.10	30.70	39.14	36.74	45.88	43.48
	1200	11.58	10.64	16.30	14.86	21.47	19.07	27.85	25.34	33.34	30.94	39.45	37.04	46.29	43.89
75 (23.9)	880	10.31	9.47	14.82	13.52	19.79	17.57	25.19	22.92	31.63	29.41	37.21	35.00	43.42	41.01
	1000	10.55	9.70	15.15	13.81	20.20	17.94	25.76	23.44	32.10	29.88	37.86	35.65	44.32	41.92
	1120	10.75	9.88	15.43	14.07	20.52	18.23	26.24	23.88	32.51	30.21	38.41	36.04	45.03	42.42
	1200	10.87	9.99	15.58	14.21	20.74	18.42	26.56	24.17	32.76	30.43	38.73	36.26	45.43	42.64

See notes on pg. 55



25HPA6

HEAT PUMP HEATING PERFORMANCE CONTINUED

INDOOR AIR		OUTDOOR COIL ENTERING AIR TEMPERATURES ° F (° C)																				
EDB ° F (° C)	CFM	7 (-13.9)			17 (-8.3)			27 (-2.8)			37 (2.8)			47 (8.3)			57 (13.9)			67 (19.4)		
		Capacity MBtuh	Total System KWt	Integ†	Capacity MBtuh	Total System KWt	Integ*	Capacity MBtuh	Total System KWt	Integ*	Capacity MBtuh	Total System KWt	Integ*	Capacity MBtuh	Total System KWt	Integ*	Capacity MBtuh	Total System KWt	Integ*	Capacity MBtuh	Total System KWt	Integ*
25HPA660A30 Outdoor Section With FV4CNB008 Indoor Section																						
65 (18.3)	1500	27.62	25.38	3.41	35.52	32.39	3.67	42.40	37.65	3.95	50.18	45.66	4.24	58.90	56.90	4.57	68.78	68.78	4.94	79.32	79.32	5.39
	1750	28.16	25.88	3.41	36.00	32.83	3.67	42.99	38.18	3.90	50.94	46.35	4.16	59.87	59.87	4.47	69.84	69.84	4.79	80.44	80.44	5.19
	2000	28.32	26.03	3.41	36.16	32.87	3.66	43.18	38.35	3.89	51.16	46.55	4.15	60.13	60.13	4.43	70.13	70.13	4.75	80.72	80.72	5.15
70 (21.1)	1500	28.61	26.29	3.42	36.38	33.17	3.66	43.49	38.62	3.88	51.54	46.91	4.12	60.65	60.65	4.40	70.59	70.59	4.70	81.13	81.13	5.08
	1750	28.89	24.71	3.58	34.08	31.07	3.84	41.83	37.15	4.14	49.47	45.02	4.44	58.04	58.04	4.78	67.81	67.81	5.15	78.25	78.25	5.61
	2000	27.41	25.19	3.58	35.49	32.35	3.85	42.40	37.66	4.09	50.22	45.70	4.36	59.00	59.00	4.67	68.90	68.90	4.99	79.40	79.40	5.41
75 (23.9)	1500	27.57	25.33	3.58	35.64	32.50	3.84	42.58	37.82	4.08	50.44	45.90	4.34	59.28	59.28	4.65	69.20	69.20	4.96	79.70	79.70	5.36
	1750	27.86	25.80	3.59	35.93	32.76	3.84	42.91	38.11	4.07	50.83	46.26	4.32	59.76	59.76	4.60	69.68	69.68	4.90	80.16	80.16	5.29
	2000	26.10	23.98	3.76	33.08	30.16	4.01	41.23	36.62	4.34	48.76	44.37	4.65	57.17	57.17	5.00	66.82	66.82	5.37	77.15	77.15	5.84
80 (26.7)	1500	26.60	24.45	3.75	33.72	30.74	3.99	41.85	37.17	4.28	49.50	45.05	4.56	58.12	58.12	4.88	67.98	67.98	5.21	78.39	78.39	5.64
	1750	26.78	24.61	3.76	33.94	30.94	3.98	42.00	37.30	4.27	49.74	45.27	4.55	58.40	58.40	4.86	68.25	68.25	5.17	78.70	78.70	5.59
	2000	27.07	24.88	3.77	34.30	31.27	3.98	42.34	37.61	4.26	50.12	45.61	4.52	58.88	58.88	4.82	68.75	68.75	5.11	79.17	79.17	5.51

INDOOR AIR		OUTDOOR COIL ENTERING AIR TEMPERATURES ° F (° C)																				
EDB ° F (° C)	CFM	7 (-13.9)			17 (-8.3)			27 (-2.8)			37 (2.8)			47 (8.3)			57 (13.9)			67 (19.4)		
		Capacity MBtuh	Total System KWt	Integ*	Capacity MBtuh	Total System KWt	Integ*	Capacity MBtuh	Total System KWt	Integ*	Capacity MBtuh	Total System KWt	Integ*	Capacity MBtuh	Total System KWt	Integ*	Capacity MBtuh	Total System KWt	Integ*	Capacity MBtuh	Total System KWt	Integ*
25HPA660A30-LO Outdoor Section With FV4CNB008 Indoor Section																						
65 (18.3)	1100	15.94	14.85	2.88	21.40	19.51	2.78	27.36	24.30	2.88	34.24	31.16	3.01	41.42	41.42	3.19	48.46	48.46	3.34	56.24	56.24	3.52
	1250	16.20	14.89	2.86	21.73	19.81	2.74	27.81	24.70	2.83	35.44	32.25	2.98	41.99	41.99	3.09	49.25	49.25	3.22	57.16	57.16	3.36
	1400	16.48	15.14	2.85	22.08	20.13	2.72	28.22	25.07	2.80	35.83	32.60	2.93	42.46	42.46	3.02	49.89	49.89	3.13	57.88	57.88	3.26
70 (21.1)	1500	16.63	15.28	2.85	22.23	20.27	2.71	28.43	25.25	2.78	36.04	32.80	2.90	42.73	42.73	2.99	50.28	50.28	3.09	58.28	58.28	3.20
	1100	15.20	13.96	2.83	20.60	18.79	2.93	26.53	23.56	3.04	33.12	30.14	3.17	40.76	40.76	3.37	47.67	47.67	3.52	55.36	55.36	3.70
	1250	15.50	14.24	2.81	21.02	19.17	2.80	27.02	23.99	2.99	33.81	30.76	3.09	41.36	41.36	3.26	48.43	48.43	3.39	56.29	56.29	3.54
80 (26.7)	1400	15.73	14.45	2.80	21.30	19.42	2.88	27.38	24.32	2.95	34.56	31.45	3.05	41.80	41.80	3.19	49.05	49.05	3.30	57.01	57.01	3.42
	1500	15.90	14.61	2.80	21.50	19.60	2.87	27.65	24.56	2.94	34.98	31.83	3.03	42.07	42.07	3.15	49.43	49.43	3.25	57.43	57.43	3.37
	1100	13.54	12.44	3.13	18.92	17.25	3.24	24.81	22.04	3.36	31.21	28.40	3.50	39.01	39.01	3.72	46.10	46.10	3.91	53.60	53.60	4.09
1500	1250	13.83	12.70	3.12	19.31	17.61	3.21	25.31	22.48	3.31	31.65	28.98	3.43	40.00	40.00	3.63	46.85	46.85	3.77	54.59	54.59	3.92
	1400	14.07	12.93	3.11	19.63	17.90	3.19	25.68	22.80	3.28	32.33	29.42	3.37	40.48	40.48	3.55	47.45	47.45	3.66	55.31	55.31	3.79
	1500	14.22	13.07	3.11	19.82	18.08	3.19	25.92	23.02	3.26	32.69	29.75	3.35	40.77	40.77	3.51	47.79	47.79	3.61	55.71	55.71	3.72

See notes on pg. 55

HEAT PUMP HEATING PERFORMANCE CONTINUED

25HPA660A30 Outdoor Section With FV4CNB008 Indoor Section

Heating Indoor Model	High Speed Cap.	Power	Low Speed Cap.	Furnace Model	Heating Indoor Model	High Speed Cap.	Power	Low Speed Cap.	Furnace Model	Heating Indoor Model	High Speed Cap.	Power	Low Speed Cap.	Furnace Model
FV4CNB006	1.00	1.00	1.00		CAP**6021A**	1.00	1.07	0.98	58MEB080-16	CAP**6021A**	1.01	1.07	0.98	58MV(B,C)120-20
CAP**6021A**	1.01	1.06	1.01		CNPH*6024A**	1.00	1.07	0.98	58MEB080-16	CNPH*6024A**	1.01	1.07	0.98	58MV(B,C)120-20
CAP**6024A**	1.01	1.06	1.01		CNPH*6124A**	1.00	1.06	0.98	58MEB080-16	CNPH*6124A**	1.00	1.06	0.98	58MV(B,C)120-20
CNPH*6024A**	1.01	1.07	1.01		CSPH*6012A**	1.00	1.05	0.98	58MEB080-16	CNPH*6124A**	1.01	1.06	0.98	58MV(B,C)120-20
CNPH*6124A**	1.02	1.07	1.02		CAP**6021A**	0.99	1.04	1.00	58MEB100-20	CNPH*6024A**	1.00	1.06	0.98	58MV(B,C)120-20
CNPH*6024A**	1.02	1.06	1.04		CAP**6024A**	0.99	1.04	1.00	58MEB100-20	CNPH*6024A**	1.01	1.04	0.99	58MV(B,C)120-20
CSPH*6012A**	1.01	1.05	1.02		CNPH*6124A**	1.00	1.04	1.00	58MEB100-20	CSPH*6012A**	1.01	1.05	0.98	58MV(B,C)120-20
CAP**6021A**	1.01	1.05	0.98	58CV(A,X)110-20	CNPH*6024A**	0.99	1.03	1.01	58MEB100-20	CAP**6021A**	1.00	1.04	1.00	58PH*110-20
CAP**6024A**	1.00	1.05	0.98	58CV(A,X)110-20	CNPH*6024A**	1.00	1.04	1.01	58MEB100-20	CAP**6024A**	1.00	1.04	1.00	58PH*110-20
CNPH*6024A**	1.00	1.05	0.98	58CV(A,X)110-20	CSPH*6012A**	1.00	1.03	1.01	58MEB100-20	CNPH*6024A**	1.00	1.03	1.00	58PH*110-20
CNPH*6124A**	1.01	1.05	0.98	58CV(A,X)110-20	CAP**6021A**	0.99	1.03	0.99	58MEB100-20	CNPH*6124A**	1.00	1.04	1.00	58PH*110-20
CNPH*6024A**	1.00	1.05	0.98	58CV(A,X)110-20	CAP**6024A**	0.99	1.03	0.99	58MEB100-20	CNPH*6024A**	1.01	1.02	1.00	58PH*110-20
CSPH*6012A**	1.00	1.03	0.98	58CV(A,X)135-22	CNPH*6124A**	1.00	1.03	0.99	58MEB120-20	CSPH*6012A**	1.00	1.02	1.00	58PH*110-20
CAP**6021A**	1.00	1.03	0.98	58CV(A,X)135-22	CNPH*6024A**	1.00	1.03	0.99	58MEB120-20	CAP**6021A**	1.00	1.05	1.00	58PH*135-20
CAP**6024A**	1.00	1.04	0.98	58CV(A,X)135-22	CNPH*6024A**	0.99	1.03	0.99	58MEB120-20	CAP**6024A**	1.00	1.05	1.00	58PH*135-20
CNPH*6024A**	0.99	1.03	0.98	58CV(A,X)135-22	CSPH*6012A**	1.00	1.01	0.99	58MEB120-20	CNPH*6024A**	1.00	1.05	0.99	58PH*135-20
CNPH*6124A**	1.00	1.03	0.98	58CV(A,X)135-22	CAP**6021A**	1.02	1.10	0.99	58MEB120-20	CNPH*6124A**	1.00	1.04	0.99	58PH*135-20
CNPH*6024A**	0.99	1.03	0.98	58CV(A,X)135-22	CAP**6024A**	1.02	1.10	0.99	58MEB120-20	CNPH*6024A**	1.01	1.03	0.99	58PH*135-20
CSPH*6012A**	1.00	1.01	0.98	58CV(A,X)135-22	CNPH*6024A**	1.02	1.10	0.99	58MEB120-20	CSPH*6012A**	1.00	1.03	0.99	58PH*135-20
CAP**6021A**	1.00	1.02	0.98	58CV(A,X)135-22	CNPH*6124A**	1.03	1.09	0.99	58MEB120-20	CAP**6021A**	1.01	1.06	1.00	58VLR120-20
CAP**6024A**	1.00	1.03	0.98	58CV(A,X)155-22	CNPH*6024A**	1.02	1.10	0.99	58MEB120-20	CAP**6024A**	1.01	1.06	1.00	58VLR120-20
CNPH*6024A**	0.99	1.03	0.98	58CV(A,X)155-22	CSPH*6012A**	1.02	1.07	0.99	58MEB120-20	CNPH*6024A**	1.00	1.05	1.00	58VLR120-20
CNPH*6124A**	1.00	1.03	0.98	58CV(A,X)155-22	CAP**6021A**	1.01	1.09	0.98	58MEB120-20	CNPH*6124A**	1.00	1.05	1.00	58VLR120-20
CNPH*6024A**	0.99	1.03	0.98	58CV(A,X)155-22	CAP**6024A**	1.01	1.09	0.98	58MEB120-20	CNPH*6024A**	1.02	1.09	1.00	58VLR120-20
CSPH*6012A**	1.00	1.02	0.98	58CV(A,X)155-22	CNPH*6024A**	1.01	1.09	0.98	58MEB120-20	CSPH*6012A**	1.01	1.08	1.00	58VLR120-20
CAP**6021A**	1.00	1.02	0.98	58CV(A,X)155-22	CNPH*6124A**	1.02	1.08	0.99	58MEB120-20	CNPH*6124A**	1.02	1.07	1.00	58VLR120-20
CAP**6024A**	1.02	1.08	1.01	58HDV080-20	CNPH*6024A**	1.01	1.09	0.98	58MEB120-20	CNPH*6024A**	1.01	1.08	1.00	58VLR120-20
CNPH*6025A**	1.02	1.08	1.00	58HDV100-20	CSPH*6012A**	1.02	1.07	0.99	58MEB120-20	CSPH*6012A**	1.02	1.06	1.00	58VLR120-20
					CAP**6025A**	1.01	1.07	0.98	58MEB120-20	CAP**6025A**	1.02	1.07	1.00	58VLR120-20

NOTE: When the required data falls between the published data, interpolation may be performed. Extrapolation is not an acceptable practice.

* Tested Combination

† The Btuh heating capacity values shown are net integrated values from which the defrost effect has been subtracted. The Btuh heating from supplement heaters should be added to those values to obtain total system capacity.

‡ The kW values include the compressor, outdoor fan motor, and indoor blower motor. The kW from supplement heaters should be added to these values to obtain total system kilowatts.

EDB — Entering Dry Bulb

GUIDE SPECIFICATIONS

GENERAL

System Description

Outdoor-mounted, air-cooled, split-system heat pump unit suitable for ground or rooftop installation. Unit consists of a hermetic compressor, an air-cooled coil, forward-swept blade propeller-type condenser fan, and a control box. Unit will discharge supply air upward as shown on contract drawings. Unit will be used in a refrigeration circuit to match up to a packaged fan coil or coil unit.

Quality Assurance

- Unit will be rated in accordance with the latest edition of AHRI Standard 240.
- Unit will be certified for capacity and efficiency, and listed in the latest ARI directory.
- Unit construction will comply with latest edition of ASHRAE and with NEC.
- Unit will be constructed in accordance with UL standards and will carry the UL label of approval. Unit will have C-UL approval.
- Unit cabinet will be capable of withstanding Federal Test Method Standard No. 141 (Method 6061) 500-hr salt spray test.
- Air-cooled condenser coils are pressure tested and the outdoor units are leak tested.
- Unit constructed in ISO9001 approved facility.

Delivery, Storage, and Handling

- Unit will be shipped as single package only and is stored and handled per unit manufacturer's recommendations.

Warranty (for inclusion by specifying engineer)

- U.S. and Canada only.

PRODUCTS

Equipment

- Factory-assembled, single-piece, air-cooled heat pump unit. Contained within the unit enclosure is all factory wiring, piping, controls, compressor, refrigerant charge Puron® (R-410A) refrigerant, and special features required prior to field start-up.

Unit Cabinet

- Unit cabinet will be constructed of galvanized steel, bonderized, and coated with a powder coat paint.

Fans

- Condenser fan will be direct-drive propeller type, forward swept blade, discharging air upward.

AIR-COOLED, SPLIT-SYSTEM HEAT PUMP

25HPA6

2 TO 5 NOMINAL TONS

- Condenser fan motors will be totally enclosed, 1-phase type with class B insulation and permanently lubricated.
- Shafts will be corrosion resistant.
- Fan blades will be statically and dynamically balanced.
- Condenser fan openings will be equipped with coated steel wire safety guards.

Compressor

- Compressor will be hermetically sealed.
- Compressor will be mounted on rubber vibration isolators.
- Compressor will be covered with a sound absorbing blanket.

Condenser Coil

- Condenser coil will be air cooled.
- Coil will be constructed of aluminum fins mechanically bonded to copper tubes which are then cleaned, dehydrated, and sealed.

Refrigeration Components

- Refrigeration circuit components will include liquid-line back-seating shutoff valve with sweat connections, vapor-line back-seating shutoff valve with sweat connections, system charge of Puron® (R-410A) refrigerant, POE compressor oil, accumulator, and reversing valve.
- Unit will be equipped with high-pressure switch, loss-of-charge switch, and filter drier for Puron® refrigerant.

Operating Characteristics

- The capacity of the unit will meet or exceed _____ Btuh at a suction temperature of _____ °F (°C). The power consumption at full load will not exceed _____ kW.
- Combination of the unit and the evaporator or fan coil unit will have a total net cooling capacity of _____ Btuh or greater at conditions of _____ CFM entering air temperature at the evaporator at _____ °F (°C) wet bulb and _____ °F (°C) dry bulb, and air entering the unit at _____ °F (°C).
- The system will have a SEER of _____ Btuh/watt or greater at DOE conditions.

Electrical Requirements

- Nominal unit electrical characteristics will be _____ v, single phase, 60 hz. The unit will be capable of satisfactory operation within voltage limits of _____ v to _____ v.
- Unit electrical power will be single point connection.
- Control circuit will be 24v.

Special Features

- Refer to section of this literature identifying accessories and descriptions for specific features and available enhancements.

SYSTEM DESIGN SUMMARY

1. Intended for outdoor installation with free air inlet and outlet. Outdoor fan external static pressure available is less than 0.01-in. wc.
2. This product is qualified for low ambient cooling operation (below 55°F / 12.8°C) with an Infinity User Interface **ONLY**.
3. The maximum outdoor operating ambient in cooling mode is 125°F (51.67°C).
4. Minimum outdoor operating air temperature for heating mode is -30°F (-34.4°C).
5. Maximum outdoor operating air temperature for heating mode is 66°F (18.9°C).
6. For reliable operation, unit should be level in all horizontal planes.
7. For interconnecting refrigerant tube lengths greater than 80 ft (23.4 m) and/or elevation differences between indoor and outdoor units greater than 20 ft (6.1 m), consult Residential Piping and Longline Guideline and Service Manual available from equipment distributor.
8. If any refrigerant tubing is buried, provide a 6 in. (152.4 mm) vertical rise to the valve connections at the unit. Refrigerant tubing lengths up to 36 in. (914.4 mm) may be buried without further consideration. Do not bury refrigerant lines longer than 36 in. (914.4 mm).
9. Use only copper wire for electric connection at unit. Aluminum and clad aluminum are not acceptable for the type of connector provided.
10. Do not apply capillary tube indoor coils to these units.
11. Factory-supplied filter drier must be installed.

