

24ABB3C Base™ 13 Air Conditioner for Coastal Applications with Puron® Refrigerant



Turn to the Experts™

Product Data



Carrier's Air Conditioners with Puron® refrigerant provide a collection of features unmatched by any other family of equipment. The 24ABB has been designed utilizing Carrier's Puron refrigerant. The environmentally sound refrigerant allows you to make a responsible decision in the protection of the earth's ozone layer.

As an Energy Star® Partner, Carrier Corporation has determined that this product meets the Energy Star® guidelines for energy efficiency. Refer to AHRI ratings for system combinations that meet Energy Star® guidelines.

NOTE: Ratings contained in this document are subject to change at any time. Always refer to the AHRI directory (www.ahridirectory.org) for the most up-to-date ratings information.

INDUSTRY LEADING FEATURES / BENEFITS

Efficiency

- 13.0 - 15.0 SEER/10.5 - 12.2 EER
- Microtube Technology™ refrigeration system
- Indoor air quality accessories available

Sound

- Sound level as low as 75 dBA

Comfort

- System supports Thermidistat™ or standard thermostat controls

Reliability

- Puron® refrigerant - environmentally sound, won't deplete the ozone layer and low lifetime service cost.
- Front-seating service valves
- Scroll compressor
- Internal pressure relief valve
- Internal thermal overload
- Filter drier
- Balanced refrigeration system for maximum reliability

Durability

WeatherArmor™ protection package:

- Solid, durable sheet metal construction
- Dense wire coil guard
- Baked-on powder paint on all sides

ArmorPlate Condenser Coil

- Aluminum fin material is pre-coated on both sides with a corrosion protective epoxy phenolic coating.

Applications

- Long-line - up to 250 feet (76.20 m) total equivalent length, up to 200 feet (60.96 m) condenser above evaporator, or up to 80 ft. (24.38 m) evaporator above condenser (See Longline Guide for more information.)
- Low ambient (down to -20°F/-28.9°C)) with accessory kit

Warranty

- 5 year limited compressor warranty
- 5 year limited parts warranty

MODEL NUMBER NOMENCLATURE

1	2	3	4	5	6	7	8	9	10	11	12	13
N	N	A	A	A/N	N	N	N	A/N	A/N	A/N	N	N
2	4	A	B	B	3	3	6	C	0	0	3	0
Product Series	Product Family	Tier	Major Series	SEER	Cooling Capacity	Variations	Open	Open	Voltage	Series		
24=AC	A=RES AC	B=Base	B=Puron	3=13 SEER		C=Coastal	0=Not Defined	0=Not Defined	3=208/230-1	0 = Original Series		



This product has been designed and manufactured to meet Energy Star® criteria for energy efficiency when matched with appropriate coil components. However, proper refrigerant charge and proper air flow are critical to achieve rated capacity and efficiency. Installation of this product should follow all manufacturing refrigerant charging and air flow instructions. **Failure to confirm proper charge and air flow may reduce energy efficiency and shorten equipment life.**

STANDARD FEATURES

Feature	18	24	30	36	42	48	60
Puron Refrigerant	X	X	X	X	X	X	X
Maximum SEER Rating	14.5	14.5	14.5	15	14.5	14.5	13.5
Scroll Compressor	X	X	X	X	X	X	X
Dense Wire Coil Guard	X	X	X	X	X	X	X
Field Installed Filter Drier	X	X	X	X	X	X	X
Front Seating Service Valves	X	X	X	X	X	X	X
Internal Pressure Relief Valve	X	X	X	X	X	X	X
Internal Thermal Overload	X	X	X	X	X	X	X
Long Line capability	X	X	X	X	X	X	X
Low Ambient capability with Kit	X	X	X	X	X	X	X

X = Standard

24ABB3C

PHYSICAL DATA

UNIT SIZE SERIES	18-30	24-30	30-30	36-30	42-30	48-30	60-30
Operating Weight lb (kg)	128 (58.1)	133 (60.3)	155 (70.3)	166.5 (75.7)	188 (85.3)	197 (89.4)	226.5 (102.7)
Shipping Weight lb (kg)	159 (72.1)	167 (75.7)	192.5 (87.3)	204.5 (92.8)	225 (102.1)	235 (106.6)	266.5 (120.9)
Compressor Type	Scroll						
REFRIGERANT	Puron® (R-410A)						
Control	TXV (Puron® Hard Shutoff)						
Charge lb (kg)	4.1 (1.9)	5.1 (2.3)	5.8 (2.6)	6.8 (3.1)	6.2 (2.8)	7.3 (3.3)	9.9 (4.5)
COND FAN	Propeller Type, Direct Drive						
Air Discharge	Vertical						
Air Qty (CFM)	1881	2196	3167	3167	3810	3810	4046
Motor HP	1/12	1/10	1/5	1/5	1/5	1/5	1/4
Motor RPM	1100	1100	1100	1100	800	800	800
COND COIL							
Face Area (Sq ft)	13.13	14.77	17.25	21.56	17.60	20.12	17.60
Fins per In.	20	20	20	20	20	20	20
Rows	1	1	1	1	1	1	2
Circuits	3	3	3	5	4	5	8
VALVE CONNECT. (In. ID)							
Vapor	5/8	5/8	3/4	3/4	7/8	7/8	7/8
Liquid	3/8	3/8	3/8	3/8	3/8	3/8	3/8
REFRIGERANT TUBES (In. OD)							
Rated Vapor*	5/8		3/4		7/8		1-1/8
Vapor	3/4		7/8		1-1/8		1-1/8
Liquid (0-50 ft / 0 - 15.2 m) Tube Length)	3/8"						
Liquid (For Long-Line applications)	3/8"						

* Units are rated with 25 ft (7.6 m) of lineset length. See Vapor Line Sizing and Cooling Capacity Loss table when using other sizes and lengths of lineset

Note: See unit Installation Instruction for proper installation.

VAPOR LINE SIZING AND COOLING CAPACITY LOSS

LONG LINE APPLICATION: An application is considered "Long line" when the total equivalent tubing length exceeds 80 ft. (24.38 m) or when there is more than 20 ft. (6.09 m) vertical separation between indoor and outdoor units. These applications require additional accessories and system modifications for reliable system operation. The maximum allowable total equivalent length is up to 250 ft. (76.2 m). The maximum

vertical separation is 200 ft. (60.96 m) when outdoor unit is above indoor unit, and up to 80 ft. (24.38 m) when the outdoor unit is below the indoor unit. Refer to Accessory Usage Guideline below for required accessories. See Longline Application Guideline for required piping and system modifications. Also, refer to the table below for the vapor tube diameters based on the total length to minimize the cooling capacity loss.

Unit Nominal Size (Btuh)	Maximum Liquid Line Diameters (In. OD)	Vapor Line Diameters (In. OD)	Cooling Capacity Loss (%)										
			Total Equivalent Line Length ft. (m)										
			Standard Application		Long Line Application Requires Accessories								
26-50 (7.9-15.2)	51-80 (15.5-24.4)	81-100 (24.7-30.5)	101-125 (30.8-38.1)	126-150 (38.4-45.7)	151-175 (46.0-53.3)	176-200 (53.6-61.0)	201-225 (61.3-68.6)	226-250 (68.9-76.2)					
18000 1 Stage Puron AC	3/8	1/2	1	2	3	4	6	7	8	9	10		
		5/8	0	0	1	1	1	2	2	3	3		
24000 1 Stage Puron AC	3/8	5/8	0	1	1	2	3	3	4	4	5		
		3/4	0	0	0	0	1	1	1	1	1		
30000 1 Stage Puron AC	3/8	7/8	0	0	0	0	0	0	0	0	0		
		5/8	1	2	3	3	4	5	6	7	8		
36000 1 Stage Puron AC	3/8	3/4	0	0	1	1	1	2	2	2	3		
		7/8	0	0	0	0	1	1	1	1	1		
42000 1 Stage Puron AC	3/8	5/8	1	2	4	5	6	8	9	10	12		
		3/4	0	1	1	2	2	3	3	4	4		
48000 1 Stage Puron AC	3/8	7/8	0	0	0	0	1	1	1	2	2		
		3/4	0	1	2	2	3	4	4	5	6		
60000 1 Stage Puron AC	3/8	7/8	0	0	0	0	0	0	0	0	0		
		1 1/8	0	0	0	0	0	0	0	0	0		
60000 1 Stage Puron AC	3/8	3/4	0	1	2	3	4	5	5	6	7		
		7/8	0	0	1	1	2	2	2	3	3		
60000 1 Stage Puron AC	3/8	1 1/8	0	0	0	0	0	0	0	1	1		
		3/4	1	2	4	5	6	7	9	10	11		
60000 1 Stage Puron AC	3/8	7/8	0	1	2	2	3	4	4	5	5		
		1 1/8	0	0	0	1	1	1	1	1	1		

Applications in this area are long line. Accessories are required as shown recommended on Long Line Application Guidelines

Applications in this area may have height restrictions that limit allowable total equivalent length, when outdoor unit is below indoor unit See Long Line Application Guidelines

24AB3C

ACCESSORY THERMOSTATS

THERMOSTAT / SUBBASE PKG.	DESCRIPTION
TP-PRH-01	Programmable Thermidistat
TP-NRH-01	Non-programmable Thermidistat
TB-PAC-01	Base Series Programmable AC Stat
TB-NAC-01	Base Series Non-programmable AC Stat
TSTATCCPRH01-B	Thermidistat Control – Programmable / Non-Programmable Thermostat with Humidity control
TSTATCCPAC01-B	Thermostat – Auto Changeover, 7-Day Programmable, °F/°C, 1-Stage Heat, 1-Stage Cool
TSTATCCNAC01-C	Thermostat – Auto Changeover, Non-Programmable, °F/°C, 1-Stage Heat, 1-Stage Cool
TSTATCCBAC01-B	Builder's Thermostat – Manual Changeover, Non-Programmable, °F/°C, 1-Stage Heat, 1-Stage Cool
TSTATCCSEN01-B	Outdoor Air Temperature Sensor
TSTATXXBBP01	Backplate for Builder's Thermostat
TSTATXXNBP01	Backplate for Non-Programmable Thermostat
TSTATXXBP01	Backplate for Programmable Thermostat
TSTATXCNV10	Thermostat Conversion Kit (4 to 5 wires) – 10 Pack

24ABB3C

ACCESSORIES

ORDER NUMBER	DESCRIPTION	Size – Voltage & Series						
		18-30	24-30	30-30	36-30	42-30	48-30	60-30
KAFT0101AAA	FREEZE THERMOSTAT	X	X	X	X	X	X	X
KAATD0101TDR	TIME DELAY RELAY	X	X	X	X	X	X	X
KAWS0101AAA	WINTER START	X	X	X	X	X	X	X
KSALA0301410	LOW AMBIENT PSW	X	X	X	X	X	X	X
KSALA0601AAA†	MOTORMASTER 230V	X	X	X	X	X	X	X
HC32GE234	MOTOR FAN BALL BEARING	X						
HC34GE239	MOTOR FAN BALL BEARING		X					
HC38GE219	MOTOR FAN BALL BEARING			X	X			
HC40GE228	MOTOR FAN BALL BEARING					X	X	X
KAHS1701AAA	HARD START (CAP / RELAY)	X	X	X	X	X	X	X
KSACY0101AAA	CYCLE PROTECTOR	X	X	X	X	X	X	X
KSASF0101AAA	SUPPORT FEET	X	X	X	X	X	X	X
KAACS0201PTC	START ASSIST PTC	X	X	X	X	X	X	X
KAACH1201AAA	CRANKCASE HTR					X	X	X
KAACH1401AAA	CRANKCASE HTR	X	X	X	X			
KSATX0201PUR	TXV PURON HSO	X	X	X				
KSATX0301PUR	TXV PURON HSO				X	X		
KSATX0401PUR	TXV PURON HSO						X	
KSATX0501PUR	TXV PURON HSO							X
KSASH0601COP	SOUND HOOD	X	X	X	X	X	X	
KSASH2101COP	SOUND HOOD							X
KAALP0301PUR	LOW PRESSURE SWITCH	X	X	X	X	X	X	X
KAHI0501PUR	HIGH PRESSURE SWITCH	X	X	X	X	X	X	X
KAALS0201LLS	LIQUID LINE SOLENOID	X	X	X	X	X	X	X
KHASS0606MPK*	SNOW STAND RACK	X	X	X	X	X	X	X

† Required accessories include ball bearing fan motor, compressor start assist (CAP / Relay), crankcase heater, evaporator freeze stat, hard shut-off TXV.

X Available accessory

* Available for order through RCD

ACCESSORY USAGE GUIDELINE

ACCESSORY	REQUIRED FOR LOW-AMBIENT COOLING APPLICATIONS (Below 55°F/12.8°C)	REQUIRED FOR LONG LINE APPLICATIONS* (Over 80 ft./24.38 m)	REQUIRED FOR SEA COAST APPLICATIONS (Within 2 miles/3.22 km)
Ball Bearing Fan Motor	Yes†	No	No
Compressor Start Assist Capacitor and Relay	Yes	Yes	No
Crankcase Heater	Yes	Yes	No
Evaporator Freeze Thermostat	Yes	No	No
Hard Shut-Off TXV	Yes	Yes	Yes
Liquid Line Solenoid Valve	No	No	No
Motor Master® or Low-ambient Pressure Switch	Yes	No	No
Support Feet	Recommended	No	Recommended
Winter Start Control	Yes	No	No

* For tubing line sets between 80 and 200 ft. (24.38 and 60.96 m) and/or 20 ft. (6.09 m) vertical differential, refer to Residential Split-System Longline Application Guideline.

† Additional requirement for Low-Ambient Controller (full modulation feature) MotorMaster® Control.

Accessory Description and Usage (Listed Alphabetically)

1. Ball-Bearing Fan Motor

A fan motor with ball bearings which permits speed reduction while maintaining bearing lubrication.

Usage Guideline:

Required on all units when MotorMaster® —

2. Compressor Start Assist - Capacitor and Relay

Start capacitor and relay gives a "hard" boost to compressor motor at each start up.

Usage Guideline:

Required for reciprocating compressors in the following applications:

- Long line
- Low ambient cooling
- Hard shut off expansion valve on indoor coil
- Liquid line solenoid on indoor coil

Required for single-phase scroll compressors in the following applications:

- Long line
- Low ambient cooling

Suggested for all compressors in areas with a history of low voltage problems.

3. Compressor Start Assist — PTC Type

Solid state electrical device which gives a "soft" boost to the compressor at each start-up.

Usage Guideline:

Suggested in installations with marginal power supply.

4. Crankcase Heater

An electric resistance heater which mounts to the base of the compressor to keep the lubricant warm during off cycles. Improves compressor lubrication on restart and minimizes the chance of liquid slugging.

Usage Guideline:

- Required in low ambient cooling applications.
- Required in long line applications.
- Suggested in all commercial applications.

5. Cycle Protector

The cycle protector is designed to prevent compressor short cycling. This control provides an approximate 5-minute delay after power to the compressor has been interrupted for any reason, including power outage, protector control trip, thermostat jiggling, or normal cycling.

6. Evaporator Freeze Thermostat

An SPST temperature-actuated switch that stops unit operation when evaporator reaches freeze-up conditions.

Usage Guideline:

7. Liquid-Line Solenoid Valve (LLS)

An electrically operated shutoff valve which stops and starts refrigerant liquid flow in response to compressor operation. It is to be installed at the outdoor unit to control refrigerant off cycle migration in the heating mode.

Usage Guideline:

An LLS is required in all long line heat pump applications to control refrigerant off cycle migration in the heating mode. See Long Line Guideline.

Required when low ambient kit has been added.

8. Low-Ambient Pressure Switch Kit

A long life pressure switch which is mounted to outdoor unit service valve. It is designed to cycle the outdoor fan motor in order to maintain head pressure within normal operating limits (approximately 100 psig to 225 psig). The control will maintain working head pressure at low-ambient temperatures down to 0°F when properly installed.

Usage Guideline:

A Low-Ambient Pressure Switch or MotorMaster® Low-Ambient Controller must be used when cooling operation is used at outdoor temperatures below 55°F (12.8°C).

9. MotorMaster® Low-Ambient Controller

A fan-speed control device activated by a temperature sensor, designed to control condenser fan motor speed in response to the saturated, condensing temperature during operation in cooling mode only. For outdoor temperatures down to -20°F (-28.9°C), it maintains condensing temperature at 100°F ±10°F (37.8°C ± -5.5°C).

Usage Guideline:

A MotorMaster® Low Ambient Controller or Low-Ambient Pressure Switch must be used when cooling operation is used at outdoor temperatures below 55°F (12.8°C).

Suggested for all commercial applications.

24AB3C

Accessory Description and Usage (Listed Alphabetically) (Continued)

10. Outdoor Air Temperature Sensor

Designed for use with Carrier Thermostats listed in this publication. This device enables the thermostat to display the outdoor temperature. This device also

is required to enable special thermostat features such as auxiliary heat lock out.

Usage Guideline:

Suggested for all Carrier thermostats listed in this publication.

11. Sound Hood

Wraparound sound reducing cover for the compressor. Reduces the sound level by about 2 dBA.

Usage Guideline:

Suggested when unit is installed closer than 15 ft (4.6 m) to quiet areas, bedrooms, etc.

Suggested when unit is installed between two houses less than 10 ft (3.0 m) apart.

12. Support Feet

Four stick-on plastic feet that raise the unit 4 in. above the mounting pad. This allows sand, dirt, and other debris to be flushed from the unit base, minimizing corrosion.

Usage Guideline:

Suggested in the following applications:

Coastal installations.

Windy areas or where debris is normally circulating.

Rooftop installations.

For improved sound ratings.

13. Thermostatic Expansion Valve (TXV)

A modulating flow-control valve which meters refrigerant liquid flow rate into the evaporator in response to the superheat of the refrigerant gas leaving the evaporator.

Kit includes valve, adapter tubes, and external equalizer tube. Hard shut off types are available.

NOTE: When using a hard shut off TXV with single phase reciprocating compressors, a Compressor Start Assist Capacitor and Relay is required.

Usage Guideline:

Required to achieve ARI ratings in certain equipment combinations. Refer to combination ratings.

Hard shut off TXV or LLS required in air conditioner long line applications.

Required for use on all zoning systems.

14. Time-Delay Relay

An SPST delay relay which briefly continues operation of indoor blower motor to provide additional cooling after the compressor cycles off.

NOTE: Most indoor unit controls include this feature. For those that do not, use the guideline below.

Usage Guideline:

For improved efficiency ratings for certain combinations of indoor and outdoor units. Refer to ARI Unitary Directory.

15. Winter Start Control

This control is designed to alleviate nuisance opening of the low-pressure switch by bypassing it for the first 3 minutes of operation.

ELECTRICAL DATA

UNIT SIZE – VOLTAGE, SERIES	V/PH	OPER VOLTS*		COMPR		FAN	MCA	MIN WIRE SIZE†	MIN WIRE SIZE†	MAX LENGTH ft. (m)‡	MAX LENGTH ft. (m)‡	MAX FUSE** or CKT BRK AMPS
		MAX	MIN	LRA	RLA	FLA		60° C	75° C	60° C	75° C	
								60° C	75° C	60° C	75° C	
18–30	208/230/1	253	197	48.0	9.0	0.5	11.7	14	14	67 (20.4)	64 (19.5)	20
24–30				58.3	13.5	0.8	17.6	14	14	44 (13.4)	42 (12.8)	30
30–30				73.0	14.1	1.1	18.7	14	14	42 (12.8)	40 (12.2)	30
36–30				79.0	16.7	1.1	21.9	12	12	57 (17.4)	54 (16.5)	35
42–30				109.0	19.9	1.2	26.0	10	10	76 (23.2)	73 (22.3)	40
48–30				117.0	21.8	1.2	28.4	10	10	70 (21.3)	66 (20.1)	40
60–30				134.0	26.3	1.2	34.1	8	10	91 (27.7)	55 (16.8)	50

* Permissible limits of the voltage range at which the unit will operate satisfactorily

† If wire is applied at ambient greater than 30°C (86°F), consult table 310–16 of the NEC (ANSI/NFPA 70). The ampacity of non-metallic-sheathed cable (NM), trade name ROMEX, shall be that of 60°C (140°F) conditions, per the NEC (ANSI/NFPA 70) Article 336–26. If other than uncoated (no-plated), 60 or 75°C (140 or 167°F) insulation, copper wire (solid wire for 10 AWG or smaller, stranded wire for larger than 10 AWG) is used, consult applicable tables of the NEC (ANSI/NFPA 70).

‡ Length shown is as measured one way along wire path between unit and service panel for voltage drop not to exceed 2%.

** Time-Delay fuse.

FLA – Full Load Amps
LRA – Locked Rotor Amps
MCA – Minimum Circuit Amps
RLA – Rated Load Amps

NOTE: Control circuit is 24–V on all units and requires external power source. Copper wire must be used from service disconnect to unit. All motors/compressors contain internal overload protection.

Complies with 2001 requirements of ASHRAE Standards 90.1

24AB3C

A-WEIGHTED SOUND POWER LEVEL (dBA)

UNIT SIZE – VOLTAGE, SERIES	STANDARD RATING (dBA)	TYPICAL OCTAVE BAND SPECTRUM (dBA, without tone adjustment)							
		125	250	500	1000	2000	4000	8000	
18–30	75	50.0	59.0	65.5	69.5	64.5	61.0	55.0	
24–30	75	53.0	60.0	68.0	69.5	68.0	63.0	58.5	
30–30	77	57.0	66.5	71.0	73.0	69.5	66.5	59.0	
36–30	77	55.0	66.5	71.0	70.5	69.0	67.0	63.5	
42–30	77	57.0	60.0	66.5	69.0	68.0	64.5	58.0	
48–30	80	57.0	60.0	68.0	75.0	69.0	66.5	65.5	
60–30	80	59.5	65.0	71.5	72.0	67.0	65.0	62.0	

NOTE: Tested in accordance with ARI Standard 270–95. (Not listed with ARI).

A-WEIGHTED SOUND POWER LEVEL (dBA) WITH SOUND SHIELD

UNIT SIZE – VOLTAGE, SERIES	STANDARD RATING (dBA)	TYPICAL OCTAVE BAND SPECTRUM (dBA, without tone adjustment)							
		125	250	500	1000	2000	4000	8000	
18–30	73	50.5	60.0	66.0	68.0	64.0	60.5	54.0	
24–30	73	53.5	60.0	67.0	68.5	66.5	61.5	56.0	
30–30	77	57.5	66.0	71.0	72.5	69.0	65.5	57.5	
36–30	76	55.5	66.0	70.0	69.5	68.5	66.0	61.5	
42–30	74	57.0	60.5	66.5	67.5	67.0	62.5	56.5	
48–30	78	57.0	60.5	67.5	74.0	68.0	64.0	62.5	
60–30	77	59.5	65.0	71.0	68.5	66.0	61.5	58.5	

NOTE: Tested in accordance with ARI Standard 270–95. (Not listed with ARI).

CHARGING SUBCOOLING (TXV-TYPE EXPANSION DEVICE)

UNIT SIZE – VOLTAGE, SERIES	REQUIRED SUBCOOLING ° F (° C)
18–30	8 (4.4)
24–30	11 (6.1)
30–30	9 (5.0)
36–30	10 (5.6)
42–30	11 (6.1)
48–30	12 (6.7)
60–30	11 (6.1)

24ABB3C

DIMENSIONS - ENGLISH

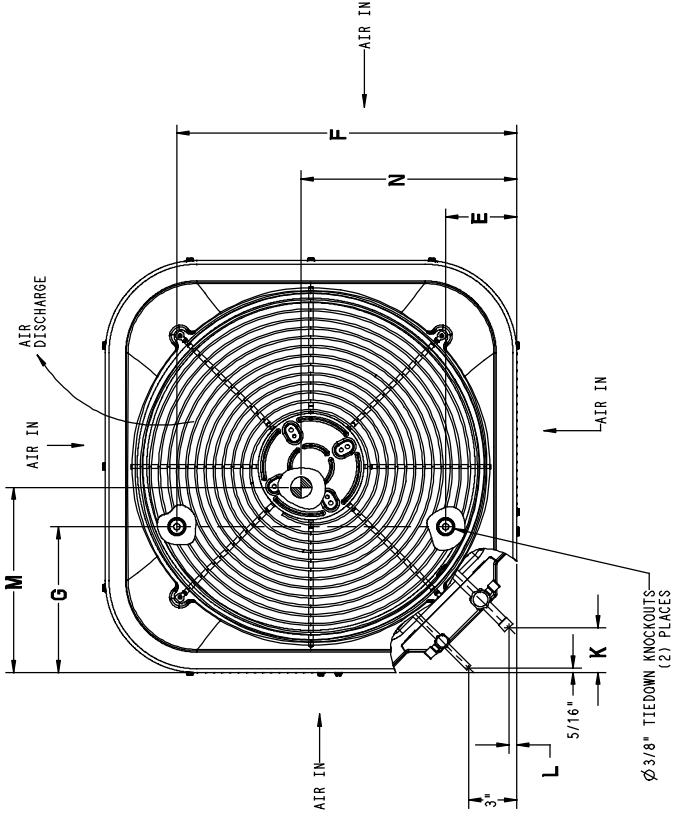
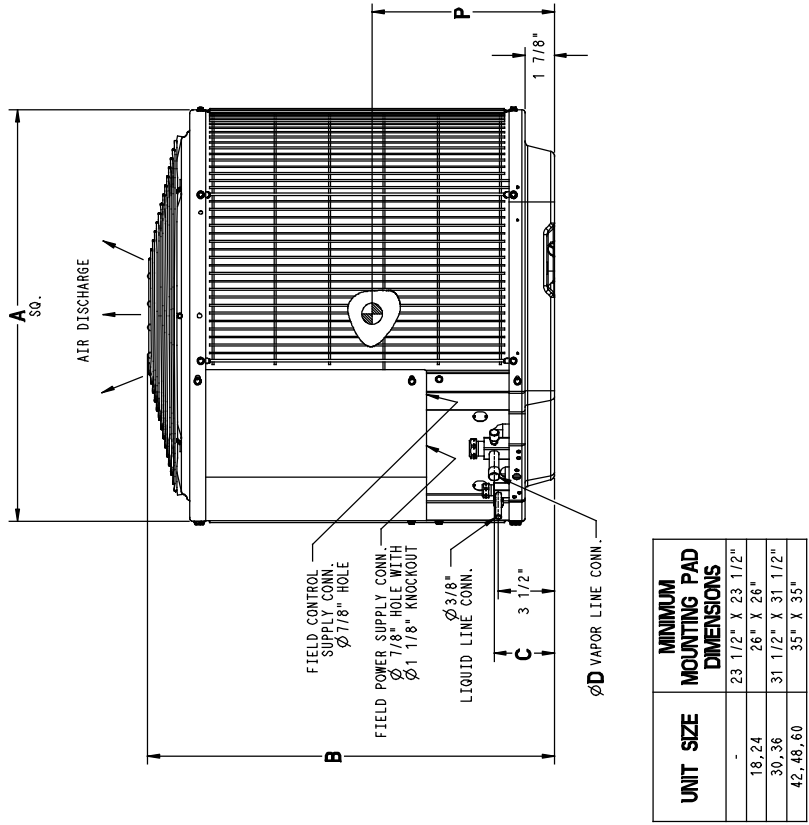
UNIT	SERIES	ELECTRICAL CHARACTERISTICS	A	B	C	D	E	F	G	K	L	M	N	P	OPERATING WEIGHT (lbs)	SHIPPING WEIGHT (lbs)	SHIPPING DIMENSIONS (L x W x H)
24ABB318	0	X 0 0 0	25 3/4"	31 13/16"	3 3/4"	5/8"	4 7/16"	21 1/4"	9 1/8"	2 13/16"	1/2"	15 3/8"	12 1/2"	14 3/4"	128	159	26 7/8" X 30 1/16" X 35 15/16"
24ABB324	0	X 0 0 0	25 3/4"	35 1/4"	3 3/4"	5/8"	4 7/16"	21 1/4"	9 1/8"	2 13/16"	1/2"	13"	14 1/4"	15 7/8"	133	167	26 7/8" X 30 1/16" X 39 3/8"
24ABB330	0	X 0 0 0	31 3/16"	32 5/16"	3 3/4"	3/4"	6 9/16"	24 11/16"	9 1/8"	2 13/16"	1/2"	16 1/8"	15"	15 7/8"	155	193	32 3/8" X 35 1/2" X 35 15/16"
24ABB336	0	X 0 0 0	31 3/16"	39 1/8"	3 3/4"	3/4"	6 9/16"	24 11/16"	9 1/8"	2 13/16"	1/2"	13 5/8"	15 3/4"	18 1/2"	167	205	32 3/8" X 35 1/2" X 42 3/4"
24ABB342	0	X 0 0 0	35"	28 15/16"	3 7/8"	7/8"	6 9/16"	28 7/16"	9 1/8"	2 15/16"	5/8"	15 3/4"	15"	12 3/8"	188	225	36 1/8" X 39 5/16" X 32 9/16"
24ABB348	0	X 0 0 0	35"	32 5/16"	3 7/8"	7/8"	6 9/16"	28 7/16"	9 1/8"	2 15/16"	5/8"	16 1/4"	16 3/8"	14 1/4"	197	235	36 1/8" X 39 5/16" X 35 15/16"
24ABB360	0	X 0 0 0	35"	28 15/16"	3 7/8"	7/8"	6 9/16"	28 7/16"	9 1/8"	2 15/16"	5/8"	16 3/8"	16 5/8"	12 1/4"	227	267	36 1/8" X 39 5/16" X 32 9/16"

208-230-160	230-160	208/230-3-60	460-3-60
-------------	---------	--------------	----------

X = YES
0 = NO

NOTES:

- ALLOW 30" CLEARANCE TO SERVICE SIDE OF UNIT, 48" ABOVE UNIT, 6" ON ONE SIDE, 12" ON REMAINING SIDE, AND 24" BETWEEN UNITS FOR PROPER AIRFLOW.
- MINIMUM OUTDOOR OPERATING AMBIENT IN COOLING MODE IS 55°F, MAX. 125°F.
- SERIES DESIGNATION IS THE 10TH POSITION OF THE UNIT MODEL NUMBER.
- CENTER OF GRAVITY
- ALL DIMENSIONS ARE IN "INCHES" UNLESS NOTED.



UNIT SIZE	MINIMUM MOUNTING PAD DIMENSIONS
-	23 1/2" X 23 1/2"
18, 24	26" X 26"
30, 36	31 1/2" X 31 1/2"
42, 48, 60	35" X 35"

DIMENSIONS - SI

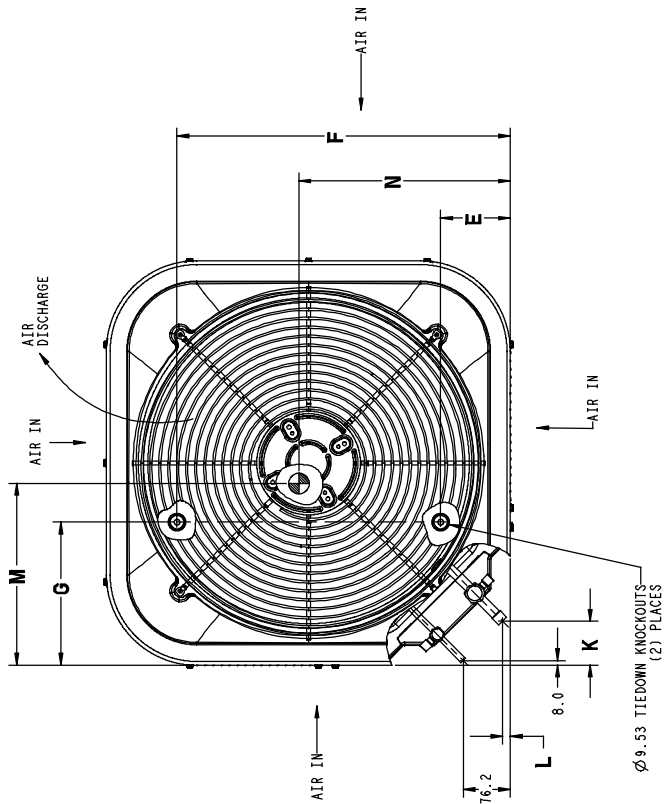
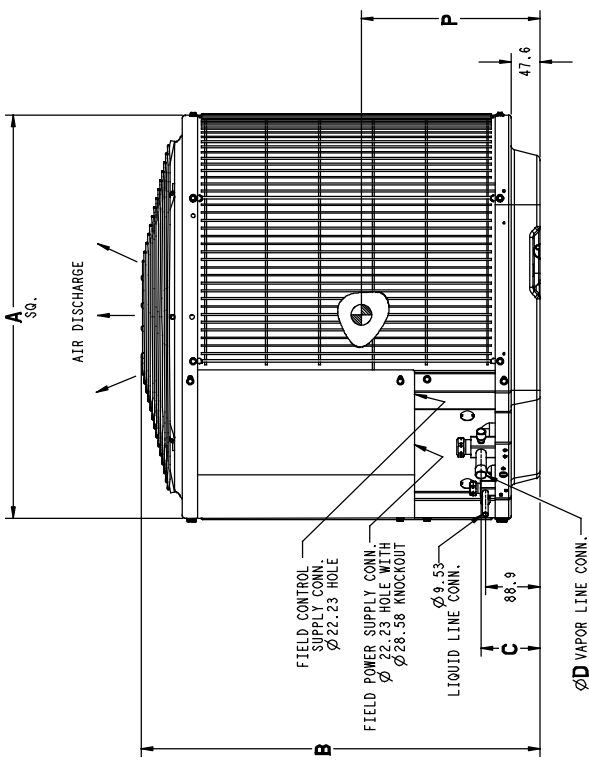
UNIT	SERIES	ELECTRICAL CHARACTERISTICS	A	B	C	D	E	F	G	K	L	M	N	P	OPERATING WEIGHT (Kgs)	SHIPPING WEIGHT (Kgs)	SHIPPING DIMENSIONS (L x W x H)
24ABB318	0	X 0 0 0	654.0	808.5	95.6	15.9	113.0	539.9	231.3	70.9	12.8	390.5	317.5	374.6	58.0	72.1	682.8 X 762.8 X 913.2
24ABB324	0	X 0 0 0	654.0	894.8	95.6	15.9	113.0	539.9	231.3	70.9	12.8	330.2	362.0	403.2	60.3	75.7	682.8 X 762.8 X 999.5
24ABB330	0	X 0 0 0	792.5	821.2	95.6	19.1	166.7	626.3	231.3	70.9	12.8	409.6	381.0	403.2	70.3	81.5	821.2 X 901.2 X 913.2
24ABB336	0	X 0 0 0	792.5	993.9	95.6	19.1	166.7	626.3	231.3	70.9	12.8	348.1	400.0	469.9	75.7	93.0	821.2 X 901.2 X 1085.9
24ABB342	0	X 0 0 0	889.0	734.8	97.9	22.2	166.7	722.8	231.3	74.5	16.3	400.0	381.0	314.3	85.3	102.0	917.7 X 997.7 X 826.8
24ABB348	0	X 0 0 0	889.0	821.2	97.9	22.2	166.7	722.8	231.3	74.5	16.3	412.8	415.9	362.0	89.4	106.6	917.7 X 997.7 X 913.2
24ABB360	0	X 0 0 0	889.0	734.8	97.9	22.2	166.7	722.8	231.3	74.5	16.3	415.9	422.3	311.2	103.0	121.1	917.7 X 997.7 X 826.8

X = YES
0 = NO

208-230-160	230-160	208/230-360	460-360
-------------	---------	-------------	---------

NOTES:

- ALLOW 762.0 CLEARANCE TO SERVICE SIDE OF UNIT, 1219.2 ABOVE UNIT, 152.4 ON ONE SIDE, 304.8 ON REMAINING SIDE, AND 609.6 BETWEEN UNITS FOR PROPER AIRFLOW.
- MINIMUM OUTDOOR OPERATING AMBIENT IN COOLING MODE IS 13°C, MAX. 52°C.
- SERIES DESIGNATION IS THE 10TH POSITION OF THE UNIT MODEL NUMBER.
- CENTER OF GRAVITY
- ALL DIMENSIONS ARE IN "MM" UNLESS NOTED.

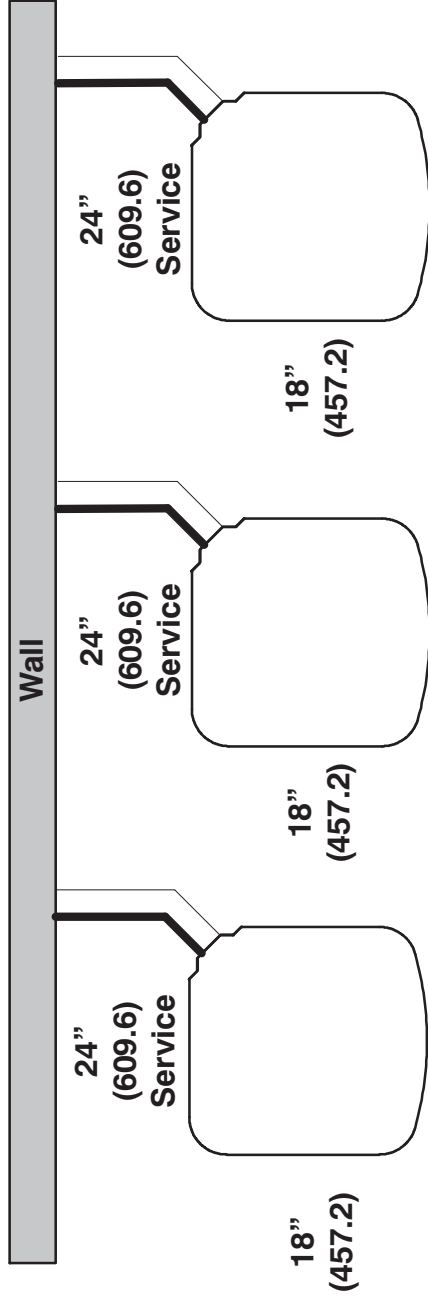
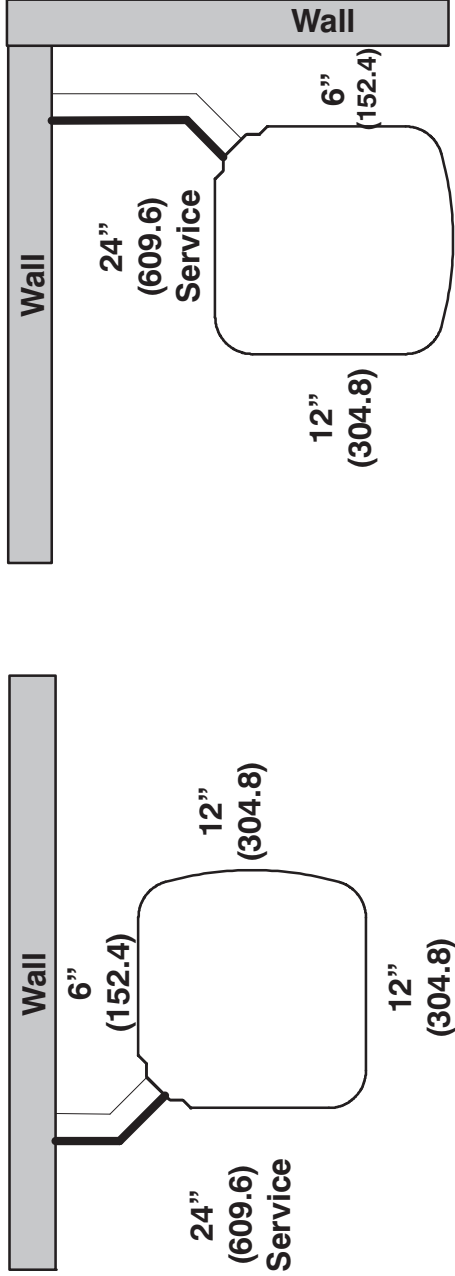


UNIT SIZE	MINIMUM MOUNTING PAD DIMENSIONS
-	596.9 X 596.9
18.24	660.4 X 660.4
30.36	800.1 X 800.1
42.46, 60	889.0 X 889.0

24ABB3C

CLEARANCES

Clearances (various examples)



Note: Numbers in () = mm

COMBINATION RATINGS

ARI Ref. No.	Model Number	Indoor Model	Furnace Model	Capacity	EER	SEER	Phase
3040311	24ABB318C30	†*CAP**1814A**+TDR		17700	11.00	13.00	1
3040312	24ABB318C30	CAP**1814A**	58CV(A,X)070-12	17500	12.00	14.00	1
3040313	24ABB318C30	CAP**1814A**	58PH*045-08	17800	12.20	14.50	1
3040315	24ABB318C30	CAP**2414A**	58CV(A,X)070-12	17800	12.20	14.50	1
3040316	24ABB318C30	CAP**2414A**	58PH*045-08	18000	12.20	14.50	1
3040314	24ABB318C30	CAP**2414A**+TDR		18000	11.20	13.20	1
3040319	24ABB318C30	CAP**2417A**	58CV(A,X)090-16	17900	12.20	14.50	1
3040318	24ABB318C30	CAP**2417A**	58MV(B,C)060-14	17800	12.20	14.50	1
3040317	24ABB318C30	CAP**2417A**+TDR		18000	11.20	13.20	1
3040336	24ABB318C30	CNPF*2418A**+TDR		18000	11.20	13.20	1
3040333	24ABB318C30	CNPH*2417A**	58CV(A,X)070-12	17800	12.20	14.50	1
3040334	24ABB318C30	CNPH*2417A**	58CV(A,X)090-16	17900	12.20	14.50	1
3040330	24ABB318C30	CNPH*2417A**	58MV(B,C)040-14	17800	12.20	14.50	1
3040331	24ABB318C30	CNPH*2417A**	58MV(B,C)060-14	17800	12.20	14.50	1
3040332	24ABB318C30	CNPH*2417A**	58MV(B,C)080-14	17800	12.20	14.50	1
3040335	24ABB318C30	CNPH*2417A**	58PH*045-08	18000	12.20	14.50	1
3040329	24ABB318C30	CNPH*2417A**+TDR		18000	11.20	13.20	1
3040321	24ABB318C30	CNPV*1814A**	58CV(A,X)070-12	17500	12.00	14.00	1
3040322	24ABB318C30	CNPV*1814A**	58PH*045-08	17900	12.20	14.50	1
3040320	24ABB318C30	CNPV*1814A**+TDR		17700	11.00	13.00	1
3040324	24ABB318C30	CNPV*2414A**	58CV(A,X)070-12	17800	12.20	14.50	1
3040325	24ABB318C30	CNPV*2414A**	58PH*045-08	18000	12.20	14.50	1
3040323	24ABB318C30	CNPV*2414A**+TDR		18000	11.20	13.20	1
3040328	24ABB318C30	CNPV*2417A**	58CV(A,X)090-16	17900	12.20	14.50	1
3040327	24ABB318C30	CNPV*2417A**	58MV(B,C)060-14	17800	12.20	14.50	1
3040326	24ABB318C30	CNPV*2417A**+TDR		18000	11.20	13.20	1
3040341	24ABB318C30	CSPH*2412A**	58CV(A,X)070-12	17800	12.20	14.50	1
3040342	24ABB318C30	CSPH*2412A**	58CV(A,X)090-16	18000	12.20	14.50	1
3040338	24ABB318C30	CSPH*2412A**	58MV(B,C)040-14	18000	12.20	14.50	1
3040339	24ABB318C30	CSPH*2412A**	58MV(B,C)060-14	18000	12.20	14.50	1
3040340	24ABB318C30	CSPH*2412A**	58MV(B,C)080-14	17900	12.20	14.50	1
3040343	24ABB318C30	CSPH*2412A**	58PH*045-08	18000	12.20	14.50	1
3040337	24ABB318C30	CSPH*2412A**+TDR		18000	11.20	13.20	1
3040348	24ABB318C30	FE4ANF002+UI		17300	12.20	14.50	1
3040349	24ABB318C30	FF1ENP018		17700	11.00	13.00	1
3040350	24ABB318C30	FF1ENP024		17900	11.00	13.00	1
3040351	24ABB318C30	FV4BNF002		17300	12.20	14.50	1
3040346	24ABB318C30	FX4CNF018		18000	12.20	14.50	1
3040347	24ABB318C30	FX4CNF024		18000	12.20	14.50	1
3040344	24ABB318C30	FY4ANF018		17700	11.00	13.00	1
3040345	24ABB318C30	FY4ANF024		18000	11.00	13.00	1
3040352	24ABB324C30	†*CAP**2414A**+TDR		22600	10.70	13.00	1
3040353	24ABB324C30	CAP**2414A**	58CV(A,X)070-12	22400	11.70	14.00	1
3040354	24ABB324C30	CAP**2414A**	58PH*045-08	22600	11.70	14.00	1
3040357	24ABB324C30	CAP**2417A**	58CV(A,X)090-16	22600	12.00	14.00	1
3040356	24ABB324C30	CAP**2417A**	58MV(B,C)060-14	22800	12.00	14.00	1
3040355	24ABB324C30	CAP**2417A**+TDR		22600	10.70	13.00	1
3040359	24ABB324C30	CAP**3014A**	58CV(A,X)070-12	22600	12.00	14.00	1
3040360	24ABB324C30	CAP**3014A**	58PH*045-08	23000	12.00	14.00	1
3040358	24ABB324C30	CAP**3014A**+TDR		23000	10.70	13.00	1
3040363	24ABB324C30	CAP**3017A**	58CV(A,X)090-16	22800	12.00	14.50	1
3040362	24ABB324C30	CAP**3017A**	58MV(B,C)060-14	23000	12.20	14.50	1
3040361	24ABB324C30	CAP**3017A**+TDR		23000	10.70	13.00	1
3040402	24ABB324C30	CNPF*2418A**+TDR		22600	10.70	13.00	1
3040383	24ABB324C30	CNPH*2417A**	58CV(A,X)070-12	22400	11.70	14.00	1
3040384	24ABB324C30	CNPH*2417A**	58CV(A,X)090-16	22600	12.00	14.00	1
3040385	24ABB324C30	CNPH*2417A**	58CV(A,X)110-20	22600	11.70	14.00	1
3040386	24ABB324C30	CNPH*2417A**	58CV(A,X)135-22	22600	11.70	14.00	1
3040387	24ABB324C30	CNPH*2417A**	58CV(A,X)155-22	22600	11.70	14.00	1
3040377	24ABB324C30	CNPH*2417A**	58MV(B,C)040-14	22600	11.70	14.00	1
3040378	24ABB324C30	CNPH*2417A**	58MV(B,C)060-14	22800	11.70	14.00	1
3040379	24ABB324C30	CNPH*2417A**	58MV(B,C)080-14	22400	11.70	14.00	1
3040380	24ABB324C30	CNPH*2417A**	58MV(B,C)080-20	22200	11.70	14.00	1
3040381	24ABB324C30	CNPH*2417A**	58MV(B,C)100-20	22600	11.70	14.00	1
3040382	24ABB324C30	CNPH*2417A**	58MV(B,C)120-20	22600	12.00	14.00	1
3040388	24ABB324C30	CNPH*2417A**	58PH*045-08	22600	11.70	14.00	1
3040376	24ABB324C30	CNPH*2417A**+TDR		22600	10.70	13.00	1
3040396	24ABB324C30	CNPH*3017A**	58CV(A,X)070-12	22800	12.00	14.00	1
3040397	24ABB324C30	CNPH*3017A**	58CV(A,X)090-16	22800	12.00	14.50	1
3040398	24ABB324C30	CNPH*3017A**	58CV(A,X)110-20	22800	12.00	14.50	1
3040399	24ABB324C30	CNPH*3017A**	58CV(A,X)135-22	22800	12.20	14.50	1
3040400	24ABB324C30	CNPH*3017A**	58CV(A,X)155-22	22800	12.00	14.50	1
3040390	24ABB324C30	CNPH*3017A**	58MV(B,C)040-14	22800	12.00	14.00	1
3040391	24ABB324C30	CNPH*3017A**	58MV(B,C)060-14	23000	12.20	14.50	1
3040392	24ABB324C30	CNPH*3017A**	58MV(B,C)080-14	22800	12.00	14.50	1
3040393	24ABB324C30	CNPH*3017A**	58MV(B,C)080-20	22600	12.00	14.00	1
3040394	24ABB324C30	CNPH*3017A**	58MV(B,C)100-20	22800	12.00	14.50	1
3040395	24ABB324C30	CNPH*3017A**	58MV(B,C)120-20	23000	12.20	14.50	1
3040401	24ABB324C30	CNPH*3017A**	58PH*045-08	23000	12.00	14.00	1
3040389	24ABB324C30	CNPH*3017A**+TDR		23000	10.70	13.00	1
3040365	24ABB324C30	CNPV*2414A**	58CV(A,X)070-12	22400	11.70	14.00	1
3040366	24ABB324C30	CNPV*2414A**	58PH*045-08	22600	11.70	14.00	1
3040364	24ABB324C30	CNPV*2414A**+TDR		22600	10.70	13.00	1
3040369	24ABB324C30	CNPV*2417A**	58CV(A,X)090-16	22600	12.00	14.00	1
3040368	24ABB324C30	CNPV*2417A**	58MV(B,C)060-14	22800	11.70	14.00	1
3040367	24ABB324C30	CNPV*2417A**+TDR		22600	10.70	13.00	1
3040371	24ABB324C30	CNPV*3014A**	58CV(A,X)070-12	22800	12.00	14.00	1
3040372	24ABB324C30	CNPV*3014A**	58PH*045-08	23000	12.00	14.00	1

24ABB3C

See notes on page 16

COMBINATION RATINGS (CONT.)

ARI Ref. No.	Model Number	Indoor Model	Furnace Model	Capacity	EER	SEER	Phase
3040370	24ABB324C30	CNPV*3014A**+TDR		23000	10.70	13.00	1
3040375	24ABB324C30	CNPV*3017A**	58CV(A,X)090-16	22800	12.00	14.50	1
3040374	24ABB324C30	CNPV*3017A**	58MV(B,C)060-14	23000	12.20	14.50	1
3040373	24ABB324C30	CNPV*3017A**+TDR		23000	10.70	13.00	1
3040410	24ABB324C30	CSPH*2412A**	58CV(A,X)070-12	22400	11.70	14.00	1
3040411	24ABB324C30	CSPH*2412A**	58CV(A,X)090-16	22800	12.00	14.00	1
3040412	24ABB324C30	CSPH*2412A**	58CV(A,X)110-20	22800	11.70	14.00	1
3040413	24ABB324C30	CSPH*2412A**	58CV(A,X)135-22	22800	12.00	14.00	1
3040414	24ABB324C30	CSPH*2412A**	58CV(A,X)155-22	22800	12.00	14.00	1
3040404	24ABB324C30	CSPH*2412A**	58MV(B,C)040-14	22800	11.70	14.00	1
3040405	24ABB324C30	CSPH*2412A**	58MV(B,C)060-14	23000	12.00	14.00	1
3040406	24ABB324C30	CSPH*2412A**	58MV(B,C)080-14	22800	12.00	14.00	1
3040407	24ABB324C30	CSPH*2412A**	58MV(B,C)080-20	22600	11.70	14.00	1
3040408	24ABB324C30	CSPH*2412A**	58MV(B,C)100-20	22800	12.00	14.00	1
3040409	24ABB324C30	CSPH*2412A**	58MV(B,C)120-20	22800	12.00	14.00	1
3040415	24ABB324C30	CSPH*2412A**	58PH*045-08	22800	11.70	14.00	1
3040403	24ABB324C30	CSPH*2412A**+TDR		22600	10.70	13.00	1
3040423	24ABB324C30	CSPH*3012A**	58CV(A,X)070-12	22800	12.00	14.00	1
3040424	24ABB324C30	CSPH*3012A**	58CV(A,X)090-16	22800	12.00	14.50	1
3040425	24ABB324C30	CSPH*3012A**	58CV(A,X)110-20	22800	12.00	14.00	1
3040426	24ABB324C30	CSPH*3012A**	58CV(A,X)135-22	23000	12.00	14.50	1
3040427	24ABB324C30	CSPH*3012A**	58CV(A,X)155-22	23000	12.00	14.50	1
3040417	24ABB324C30	CSPH*3012A**	58MV(B,C)040-14	22800	12.00	14.00	1
3040418	24ABB324C30	CSPH*3012A**	58MV(B,C)060-14	23200	12.00	14.50	1
3040419	24ABB324C30	CSPH*3012A**	58MV(B,C)080-14	22800	12.00	14.00	1
3040420	24ABB324C30	CSPH*3012A**	58MV(B,C)080-20	22600	12.00	14.00	1
3040421	24ABB324C30	CSPH*3012A**	58MV(B,C)100-20	22800	12.00	14.50	1
3040422	24ABB324C30	CSPH*3012A**	58MV(B,C)120-20	23000	12.00	14.50	1
3040428	24ABB324C30	CSPH*3012A**	58PH*045-08	23000	12.00	14.00	1
3040416	24ABB324C30	CSPH*3012A**+TDR		23000	10.70	13.00	1
3040433	24ABB324C30	FE4AN(B,F)003+UI		23000	12.20	14.50	1
3040432	24ABB324C30	FE4ANF002+UI		22000	12.00	14.00	1
3040434	24ABB324C30	FE5ANB004+UI		23600	12.50	15.00	1
3040435	24ABB324C30	FF1ENP024		22400	10.70	13.00	1
3040437	24ABB324C30	FV4BN(B,F)003		23000	12.20	14.50	1
3040436	24ABB324C30	FV4BNF002		22000	12.00	14.00	1
3040430	24ABB324C30	FX4CNF024		22800	11.70	13.50	1
3040431	24ABB324C30	FX4CNF030		23200	12.00	14.00	1
3040429	24ABB324C30	FY4ANF030		22800	11.00	13.00	1
3040438	24ABB330C30	†*CAP**3014A**+TDR		29000	11.00	13.00	1
3040439	24ABB330C30	CAP**3014A**	58CV(A,X)070-12	28800	12.00	14.00	1
3040442	24ABB330C30	CAP**3017A**	58CV(A,X)090-16	28800	12.20	14.50	1
3040441	24ABB330C30	CAP**3017A**	58MV(B,C)060-14	29000	12.00	14.00	1
3040443	24ABB330C30	CAP**3017A**	58PH*070-16	29000	12.00	14.00	1
3040440	24ABB330C30	CAP**3017A**+TDR		29000	11.00	13.00	1
3040445	24ABB330C30	CAP**3614A**	58CV(A,X)070-12	28800	12.00	14.00	1
3040444	24ABB330C30	CAP**3614A**+TDR		29200	11.20	13.20	1
3040448	24ABB330C30	CAP**3617A**	58CV(A,X)090-16	29000	12.20	14.50	1
3040447	24ABB330C30	CAP**3617A**	58MV(B,C)060-14	29000	12.20	14.50	1
3040449	24ABB330C30	CAP**3617A**	58PH*070-16	29200	12.00	14.00	1
3040446	24ABB330C30	CAP**3617A**+TDR		29200	11.20	13.20	1
3040454	24ABB330C30	CAP**3621A**	58CV(A,X)110-20	29000	12.20	14.50	1
3040451	24ABB330C30	CAP**3621A**	58MV(B,C)080-14	28800	12.00	14.00	1
3040452	24ABB330C30	CAP**3621A**	58MV(B,C)080-20	29000	12.20	14.50	1
3040453	24ABB330C30	CAP**3621A**	58MV(B,C)100-20	28800	12.00	14.00	1
3040455	24ABB330C30	CAP**3621A**	58PH*090-16	29400	12.20	14.50	1
3040450	24ABB330C30	CAP**3621A**+TDR		29200	11.20	13.20	1
3040500	24ABB330C30	CNPF*3618A**+TDR		29000	11.00	13.00	1
3040479	24ABB330C30	CNPH*3017A**	58CV(A,X)070-12	28800	12.00	14.00	1
3040480	24ABB330C30	CNPH*3017A**	58CV(A,X)090-16	28800	12.00	14.00	1
3040481	24ABB330C30	CNPH*3017A**	58CV(A,X)110-20	29000	12.00	14.00	1
3040482	24ABB330C30	CNPH*3017A**	58CV(A,X)135-22	29000	12.20	14.50	1
3040483	24ABB330C30	CNPH*3017A**	58CV(A,X)155-22	29000	12.20	14.50	1
3040473	24ABB330C30	CNPH*3017A**	58MV(B,C)040-14	28800	12.00	14.00	1
3040474	24ABB330C30	CNPH*3017A**	58MV(B,C)060-14	29000	12.00	14.00	1
3040475	24ABB330C30	CNPH*3017A**	58MV(B,C)080-14	28800	12.00	14.00	1
3040476	24ABB330C30	CNPH*3017A**	58MV(B,C)080-20	28800	12.00	14.00	1
3040477	24ABB330C30	CNPH*3017A**	58MV(B,C)100-20	28600	12.00	14.00	1
3040478	24ABB330C30	CNPH*3017A**	58MV(B,C)120-20	29000	12.20	14.50	1
3040484	24ABB330C30	CNPH*3017A**	58PH*070-16	29000	12.00	14.00	1
3040485	24ABB330C30	CNPH*3017A**	58PH*090-16	29000	12.00	14.00	1
3040472	24ABB330C30	CNPH*3017A**+TDR		29000	11.00	13.00	1
3040493	24ABB330C30	CNPH*3617A**	58CV(A,X)070-12	28800	12.00	14.00	1
3040494	24ABB330C30	CNPH*3617A**	58CV(A,X)090-16	28800	12.00	14.00	1
3040495	24ABB330C30	CNPH*3617A**	58CV(A,X)110-20	29000	12.00	14.00	1
3040496	24ABB330C30	CNPH*3617A**	58CV(A,X)135-22	29000	12.20	14.50	1
3040497	24ABB330C30	CNPH*3617A**	58CV(A,X)155-22	29000	12.20	14.50	1
3040487	24ABB330C30	CNPH*3617A**	58MV(B,C)040-14	28800	12.00	14.00	1
3040488	24ABB330C30	CNPH*3617A**	58MV(B,C)060-14	29000	12.00	14.00	1
3040489	24ABB330C30	CNPH*3617A**	58MV(B,C)080-14	28800	12.00	14.00	1
3040490	24ABB330C30	CNPH*3617A**	58MV(B,C)080-20	28800	12.00	14.00	1
3040491	24ABB330C30	CNPH*3617A**	58MV(B,C)100-20	28600	12.00	14.00	1
3040492	24ABB330C30	CNPH*3617A**	58MV(B,C)120-20	29000	12.20	14.50	1
3040498	24ABB330C30	CNPH*3617A**	58PH*070-16	29000	12.00	14.00	1
3040499	24ABB330C30	CNPH*3617A**	58PH*090-16	29000	12.00	14.00	1
3040486	24ABB330C30	CNPH*3617A**+TDR		29000	11.00	13.00	1
3040457	24ABB330C30	CNPV*3014A**	58CV(A,X)070-12	28800	12.00	14.00	1
3040456	24ABB330C30	CNPV*3014A**+TDR		29000	11.00	13.00	1

See notes on page 16

COMBINATION RATINGS (CONT.)

ARI Ref. No.	Model Number	Indoor Model	Furnace Model	Capacity	EER	SEER	Phase
3040460	24ABB330C30	CNPV*3017A**	58CV(A,X)090-16	28800	12.00	14.00	1
3040459	24ABB330C30	CNPV*3017A**	58MV(B,C)060-14	29000	12.00	14.00	1
3040461	24ABB330C30	CNPV*3017A**	58PH*070-16	29000	12.00	14.00	1
3040458	24ABB330C30	CNPV*3017A**+TDR		29000	11.00	13.00	1
3040464	24ABB330C30	CNPV*3617A**	58CV(A,X)090-16	28800	12.00	14.00	1
3040463	24ABB330C30	CNPV*3617A**	58MV(B,C)060-14	29000	12.00	14.00	1
3040465	24ABB330C30	CNPV*3617A**	58PH*070-16	29000	12.00	14.00	1
3040462	24ABB330C30	CNPV*3617A**+TDR		29000	11.00	13.00	1
3040470	24ABB330C30	CNPV*3621A**	58CV(A,X)110-20	29000	12.00	14.00	1
3040467	24ABB330C30	CNPV*3621A**	58MV(B,C)080-14	28800	12.00	14.00	1
3040468	24ABB330C30	CNPV*3621A**	58MV(B,C)080-20	28800	12.00	14.00	1
3040469	24ABB330C30	CNPV*3621A**	58MV(B,C)100-20	28600	12.00	14.00	1
3040471	24ABB330C30	CNPV*3621A**	58PH*090-16	29000	12.00	14.00	1
3040466	24ABB330C30	CNPV*3621A**+TDR		29000	11.00	13.00	1
3040508	24ABB330C30	CSPH*3012A**	58CV(A,X)070-12	28800	12.00	14.00	1
3040509	24ABB330C30	CSPH*3012A**	58CV(A,X)090-16	29000	12.00	14.00	1
3040510	24ABB330C30	CSPH*3012A**	58CV(A,X)110-20	29000	12.00	14.00	1
3040511	24ABB330C30	CSPH*3012A**	58CV(A,X)135-22	29000	12.20	14.50	1
3040512	24ABB330C30	CSPH*3012A**	58CV(A,X)155-22	29000	12.20	14.50	1
3040502	24ABB330C30	CSPH*3012A**	58MV(B,C)040-14	28800	12.00	14.00	1
3040503	24ABB330C30	CSPH*3012A**	58MV(B,C)060-14	29000	12.00	14.00	1
3040504	24ABB330C30	CSPH*3012A**	58MV(B,C)080-14	28800	12.00	14.00	1
3040505	24ABB330C30	CSPH*3012A**	58MV(B,C)080-20	29000	12.00	14.00	1
3040506	24ABB330C30	CSPH*3012A**	58MV(B,C)100-20	28800	12.00	14.00	1
3040507	24ABB330C30	CSPH*3012A**	58MV(B,C)120-20	29000	12.20	14.50	1
3040513	24ABB330C30	CSPH*3012A**	58PH*070-16	29000	12.00	14.00	1
3040514	24ABB330C30	CSPH*3012A**	58PH*090-16	29000	12.00	14.00	1
3040501	24ABB330C30	CSPH*3012A**+TDR		29000	11.00	13.00	1
3040522	24ABB330C30	CSPH*3612A**	58CV(A,X)070-12	28800	12.00	14.00	1
3040523	24ABB330C30	CSPH*3612A**	58CV(A,X)090-16	29000	12.20	14.50	1
3040524	24ABB330C30	CSPH*3612A**	58CV(A,X)110-20	29200	12.20	14.50	1
3040525	24ABB330C30	CSPH*3612A**	58CV(A,X)135-22	29200	12.20	14.50	1
3040526	24ABB330C30	CSPH*3612A**	58CV(A,X)155-22	29200	12.20	14.50	1
3040516	24ABB330C30	CSPH*3612A**	58MV(B,C)040-14	29200	12.20	14.50	1
3040517	24ABB330C30	CSPH*3612A**	58MV(B,C)060-14	29000	12.20	14.50	1
3040518	24ABB330C30	CSPH*3612A**	58MV(B,C)080-14	29200	12.20	14.50	1
3040519	24ABB330C30	CSPH*3612A**	58MV(B,C)080-20	29200	12.20	14.50	1
3040520	24ABB330C30	CSPH*3612A**	58MV(B,C)100-20	29200	12.20	14.50	1
3040521	24ABB330C30	CSPH*3612A**	58MV(B,C)120-20	29200	12.20	14.50	1
3040527	24ABB330C30	CSPH*3612A**	58PH*070-16	29600	12.00	14.00	1
3040528	24ABB330C30	CSPH*3612A**	58PH*090-16	29800	12.20	14.50	1
3040515	24ABB330C30	CSPH*3612A**+TDR		29200	11.20	13.20	1
3040534	24ABB330C30	FE4AN(B,F)003+UI		29200	12.20	14.50	1
3040535	24ABB330C30	FE4AN(B,F)005+UI		30000	12.50	15.00	1
3040533	24ABB330C30	FE4ANF002+UI		28000	12.00	14.00	1
3040536	24ABB330C30	FE5ANB004+UI		30000	12.50	15.00	1
3040537	24ABB330C30	FF1ENP030		28600	11.00	13.00	1
3040538	24ABB330C30	FF1ENP036		29200	11.20	13.20	1
3040540	24ABB330C30	FV4BN(B,F)003		29200	12.20	14.50	1
3040541	24ABB330C30	FV4BN(B,F)005		30000	12.50	15.00	1
3040539	24ABB330C30	FV4BNF002		28000	12.00	14.00	1
3040532	24ABB330C30	FX4CN(B,F)036		29400	11.70	13.50	1
3040531	24ABB330C30	FX4CNF030		29200	12.00	14.00	1
3040529	24ABB330C30	FY4ANF030		28800	11.20	13.20	1
3040530	24ABB330C30	FY4ANF036		29000	11.00	13.00	1
3040542	24ABB336C30	†*CAP**3617A**+TDR		34400	10.70	13.00	1
3040544	24ABB336C30	CAP**3614A**	58CV(A,X)070-12	34000	11.50	13.50	1
3040543	24ABB336C30	CAP**3614A**+TDR		34000	10.70	13.00	1
3040546	24ABB336C30	CAP**3617A**	58CV(A,X)090-16	34000	11.70	14.00	1
3040545	24ABB336C30	CAP**3617A**	58MV(B,C)060-14	34200	11.70	14.00	1
3040547	24ABB336C30	CAP**3617A**	58PH*070-16	34200	11.50	13.50	1
3040552	24ABB336C30	CAP**3621A**	58CV(A,X)110-20	34200	11.70	14.00	1
3040549	24ABB336C30	CAP**3621A**	58MV(B,C)080-14	34200	11.70	14.00	1
3040550	24ABB336C30	CAP**3621A**	58MV(B,C)080-20	34000	11.70	14.00	1
3040551	24ABB336C30	CAP**3621A**	58MV(B,C)100-20	34200	11.70	14.00	1
3040553	24ABB336C30	CAP**3621A**	58PH*090-16	34400	11.70	14.00	1
3040554	24ABB336C30	CAP**3621A**	58PH*110-20	34600	12.00	14.00	1
3040548	24ABB336C30	CAP**3621A**+TDR		34400	10.70	13.00	1
3040559	24ABB336C30	CAP**4221A**	58CV(A,X)110-20	34400	11.70	14.00	1
3040556	24ABB336C30	CAP**4221A**	58MV(B,C)080-14	34400	11.70	14.00	1
3040557	24ABB336C30	CAP**4221A**	58MV(B,C)080-20	34400	11.70	14.00	1
3040558	24ABB336C30	CAP**4221A**	58MV(B,C)100-20	34400	11.70	14.00	1
3040555	24ABB336C30	CAP**4221A**+TDR		34600	10.70	13.00	1
3043029	24ABB342C30	†*CAP**4221A**+TDR		40500	10.50	13.00	1
3043036	24ABB342C30	CAP**4221A**	58CV(A,X)110-20	40500	11.20	13.50	1
3043033	24ABB342C30	CAP**4221A**	58MV(B,C)080-14	40000	11.00	13.20	1
3043034	24ABB342C30	CAP**4221A**	58MV(B,C)080-20	40500	11.00	13.50	1
3043035	24ABB342C30	CAP**4221A**	58MV(B,C)100-20	40000	11.20	13.50	1
3043037	24ABB342C30	CAP**4221A**	58PH*090-16	40500	11.20	13.50	1
3043038	24ABB342C30	CAP**4221A**	58PH*110-20	40500	11.20	13.50	1
3043042	24ABB342C30	CAP**4224A**	58CV(A,X)135-22	40500	11.50	13.50	1
3043043	24ABB342C30	CAP**4224A**	58CV(A,X)155-22	40500	11.50	13.50	1
3043040	24ABB342C30	CAP**4224A**	58MV(B,C)040-14	40000	11.00	13.20	1
3043041	24ABB342C30	CAP**4224A**	58MV(B,C)120-20	40500	11.20	13.50	1
3043044	24ABB342C30	CAP**4224A**	58PH*135-20	40500	11.20	13.50	1
3043039	24ABB342C30	CAP**4224A**+TDR		40500	10.50	13.00	1
3043047	24ABB342C30	CAP**4817A**	58CV(A,X)090-16	41500	11.50	13.50	1

24ABB3C

See notes on page 16

COMBINATION RATINGS (CONT.)

ARI Ref. No.	Model Number	Indoor Model	Furnace Model	Capacity	EER	SEER	Phase
3043046	24ABB342C30	CAP**4817A**	58MV(B,C)060-14	41500	11.20	13.50	1
3043048	24ABB342C30	CAP**4817A**	58PH*070-16	41500	11.00	13.20	1
3043045	24ABB342C30	CAP**4817A**+TDR		40500	10.70	13.00	1
3043053	24ABB342C30	CAP**4821A**	58CV(A,X)110-20	41000	11.50	13.50	1
3043050	24ABB342C30	CAP**4821A**	58MV(B,C)080-14	41000	11.20	13.50	1
3043051	24ABB342C30	CAP**4821A**	58MV(B,C)080-20	41000	11.20	13.50	1
3043052	24ABB342C30	CAP**4821A**	58MV(B,C)100-20	40500	11.20	13.50	1
3043054	24ABB342C30	CAP**4821A**	58PH*090-16	41000	11.50	14.00	1
3043055	24ABB342C30	CAP**4821A**	58PH*110-20	41500	11.50	14.00	1
3043049	24ABB342C30	CAP**4821A**+TDR		41500	10.70	13.00	1
3043059	24ABB342C30	CAP**4824A**	58CV(A,X)135-22	41000	11.70	14.00	1
3043060	24ABB342C30	CAP**4824A**	58CV(A,X)155-22	41000	11.70	14.00	1
3043057	24ABB342C30	CAP**4824A**	58MV(B,C)040-14	40500	11.20	13.50	1
3043058	24ABB342C30	CAP**4824A**	58MV(B,C)120-20	41000	11.50	13.50	1
3043061	24ABB342C30	CAP**4824A**	58PH*135-20	41500	11.50	14.00	1
3043056	24ABB342C30	CAP**4824A**+TDR		41500	10.70	13.00	1
3043114	24ABB342C30	CNPF*4818A**+TDR		40500	10.70	13.00	1
3043089	24ABB342C30	CNPH*4221A**	58CV(A,X)070-12	40000	11.00	13.20	1
3043090	24ABB342C30	CNPH*4221A**	58CV(A,X)090-16	40500	11.20	13.50	1
3043091	24ABB342C30	CNPH*4221A**	58CV(A,X)110-20	40000	11.20	13.50	1
3043092	24ABB342C30	CNPH*4221A**	58CV(A,X)135-22	40500	11.20	13.50	1
3043093	24ABB342C30	CNPH*4221A**	58CV(A,X)155-22	40500	11.20	13.50	1
3043083	24ABB342C30	CNPH*4221A**	58MV(B,C)040-14	40000	11.00	13.20	1
3043084	24ABB342C30	CNPH*4221A**	58MV(B,C)060-14	40500	11.20	13.50	1
3043085	24ABB342C30	CNPH*4221A**	58MV(B,C)080-14	40000	11.00	13.20	1
3043086	24ABB342C30	CNPH*4221A**	58MV(B,C)080-20	40500	11.00	13.20	1
3043087	24ABB342C30	CNPH*4221A**	58MV(B,C)100-20	40000	11.00	13.20	1
3043088	24ABB342C30	CNPH*4221A**	58MV(B,C)120-20	40500	11.20	13.50	1
3043094	24ABB342C30	CNPH*4221A**	58PH*070-16	40500	10.70	13.00	1
3043095	24ABB342C30	CNPH*4221A**	58PH*090-16	40500	11.20	13.50	1
3043096	24ABB342C30	CNPH*4221A**	58PH*110-20	40500	11.20	13.50	1
3043097	24ABB342C30	CNPH*4221A**	58PH*135-20	40500	11.20	13.50	1
3043082	24ABB342C30	CNPH*4221A**+TDR		40500	10.50	13.00	1
3043105	24ABB342C30	CNPH*4821A**	58CV(A,X)070-12	41000	11.20	13.50	1
3043106	24ABB342C30	CNPH*4821A**	58CV(A,X)090-16	41000	11.50	14.00	1
3043107	24ABB342C30	CNPH*4821A**	58CV(A,X)110-20	41000	11.50	13.50	1
3043108	24ABB342C30	CNPH*4821A**	58CV(A,X)135-22	41000	11.70	14.00	1
3043109	24ABB342C30	CNPH*4821A**	58CV(A,X)155-22	41000	11.70	14.00	1
3043099	24ABB342C30	CNPH*4821A**	58MV(B,C)040-14	41000	11.20	13.50	1
3043100	24ABB342C30	CNPH*4821A**	58MV(B,C)060-14	41500	11.50	13.50	1
3043101	24ABB342C30	CNPH*4821A**	58MV(B,C)080-14	41000	11.20	13.50	1
3043102	24ABB342C30	CNPH*4821A**	58MV(B,C)080-20	41000	11.20	13.50	1
3043103	24ABB342C30	CNPH*4821A**	58MV(B,C)100-20	40500	11.20	13.50	1
3043104	24ABB342C30	CNPH*4821A**	58MV(B,C)120-20	41000	11.50	14.00	1
3043110	24ABB342C30	CNPH*4821A**	58PH*070-16	41000	11.00	13.20	1
3043111	24ABB342C30	CNPH*4821A**	58PH*090-16	41000	11.50	14.00	1
3043112	24ABB342C30	CNPH*4821A**	58PH*110-20	41500	11.50	14.00	1
3043113	24ABB342C30	CNPH*4821A**	58PH*135-20	41500	11.50	14.00	1
3043098	24ABB342C30	CNPH*4821A**+TDR		41500	10.70	13.00	1
3043066	24ABB342C30	CNPV*4221A**	58CV(A,X)110-20	40000	11.20	13.50	1
3043063	24ABB342C30	CNPV*4221A**	58MV(B,C)080-14	40000	11.00	13.20	1
3043064	24ABB342C30	CNPV*4221A**	58MV(B,C)080-20	40500	11.00	13.20	1
3043065	24ABB342C30	CNPV*4221A**	58MV(B,C)100-20	40000	11.00	13.20	1
3043067	24ABB342C30	CNPV*4221A**	58PH*090-16	40500	11.20	13.50	1
3043068	24ABB342C30	CNPV*4221A**	58PH*110-20	40500	11.20	13.50	1
3043062	24ABB342C30	CNPV*4221A**+TDR		40500	10.50	13.00	1
3043073	24ABB342C30	CNPV*4821A**	58CV(A,X)110-20	41000	11.50	13.50	1
3043070	24ABB342C30	CNPV*4821A**	58MV(B,C)080-14	41000	11.20	13.50	1
3043071	24ABB342C30	CNPV*4821A**	58MV(B,C)080-20	41000	11.20	13.50	1
3043072	24ABB342C30	CNPV*4821A**	58MV(B,C)100-20	40500	11.20	13.50	1
3043074	24ABB342C30	CNPV*4821A**	58PH*090-16	41000	11.50	14.00	1
3043075	24ABB342C30	CNPV*4821A**	58PH*110-20	41500	11.50	14.00	1
3043069	24ABB342C30	CNPV*4821A**+TDR		41500	10.70	13.00	1
3043079	24ABB342C30	CNPV*4824A**	58CV(A,X)135-22	41000	11.70	14.00	1
3043080	24ABB342C30	CNPV*4824A**	58CV(A,X)155-22	41000	11.70	14.00	1
3043077	24ABB342C30	CNPV*4824A**	58MV(B,C)040-14	40500	11.20	13.50	1
3043078	24ABB342C30	CNPV*4824A**	58MV(B,C)120-20	41000	11.50	13.50	1
3043081	24ABB342C30	CNPV*4824A**	58PH*135-20	41500	11.50	14.00	1
3043076	24ABB342C30	CNPV*4824A**+TDR		41500	10.70	13.00	1
3043122	24ABB342C30	CSPH*4212A**	58CV(A,X)070-12	40500	11.20	13.50	1
3043123	24ABB342C30	CSPH*4212A**	58CV(A,X)090-16	40500	11.50	13.50	1
3043124	24ABB342C30	CSPH*4212A**	58CV(A,X)110-20	40500	11.20	13.50	1
3043125	24ABB342C30	CSPH*4212A**	58CV(A,X)135-22	40500	11.70	14.00	1
3043126	24ABB342C30	CSPH*4212A**	58CV(A,X)155-22	40500	11.70	14.00	1
3043116	24ABB342C30	CSPH*4212A**	58MV(B,C)040-14	40500	11.20	13.50	1
3043117	24ABB342C30	CSPH*4212A**	58MV(B,C)060-14	40500	11.20	13.50	1
3043118	24ABB342C30	CSPH*4212A**	58MV(B,C)080-14	40000	11.00	13.20	1
3043119	24ABB342C30	CSPH*4212A**	58MV(B,C)080-20	40500	11.00	13.50	1
3043120	24ABB342C30	CSPH*4212A**	58MV(B,C)100-20	40000	11.20	13.50	1
3043121	24ABB342C30	CSPH*4212A**	58MV(B,C)120-20	40500	11.50	13.50	1
3043127	24ABB342C30	CSPH*4212A**	58PH*070-16	40500	10.70	13.00	1
3043128	24ABB342C30	CSPH*4212A**	58PH*090-16	40500	11.20	13.50	1
3043129	24ABB342C30	CSPH*4212A**	58PH*110-20	40500	11.20	13.50	1
3043130	24ABB342C30	CSPH*4212A**	58PH*135-20	40500	11.20	13.50	1
3043115	24ABB342C30	CSPH*4212A**+TDR		40500	10.50	13.00	1
3043138	24ABB342C30	CSPH*4812A**	58CV(A,X)070-12	41000	11.20	13.50	1
3043139	24ABB342C30	CSPH*4812A**	58CV(A,X)090-16	41000	11.50	14.00	1
3043140	24ABB342C30	CSPH*4812A**	58CV(A,X)110-20	41000	11.50	13.50	1
3043141	24ABB342C30	CSPH*4812A**	58CV(A,X)135-22	41000	11.70	14.00	1

See notes on page 16

COMBINATION RATINGS (CONT.)

ARI Ref. No.	Model Number	Indoor Model	Furnace Model	Capacity	EER	SEER	Phase
3043142	24ABB342C30	CSPH*4812A**	58CV(A,X)155-22	41000	11.70	14.00	1
3043132	24ABB342C30	CSPH*4812A**	58MV(B,C)040-14	41000	11.20	13.50	1
3043133	24ABB342C30	CSPH*4812A**	58MV(B,C)060-14	41000	11.50	13.50	1
3043134	24ABB342C30	CSPH*4812A**	58MV(B,C)080-14	41000	11.20	13.50	1
3043135	24ABB342C30	CSPH*4812A**	58MV(B,C)080-20	41000	11.20	13.50	1
3043136	24ABB342C30	CSPH*4812A**	58MV(B,C)100-20	40500	11.20	13.50	1
3043137	24ABB342C30	CSPH*4812A**	58MV(B,C)120-20	41000	11.50	14.00	1
3043143	24ABB342C30	CSPH*4812A**	58PH*070-16	41000	11.00	13.20	1
3043144	24ABB342C30	CSPH*4812A**	58PH*090-16	41000	11.50	14.00	1
3043145	24ABB342C30	CSPH*4812A**	58PH*110-20	41500	11.50	14.00	1
3043146	24ABB342C30	CSPH*4812A**	58PH*135-20	41500	11.50	14.00	1
3043131	24ABB342C30	CSPH*4812A**+TDR		41500	10.70	13.00	1
3043151	24ABB342C30	FE4AN(B,F)003+UI		40500	11.20	13.50	1
3043152	24ABB342C30	FE4AN(B,F)005+UI		42000	12.00	14.50	1
3043153	24ABB342C30	FE4ANB006+UI		42000	12.20	14.50	1
3043154	24ABB342C30	FE5ANB004+UI		42000	12.20	14.50	1
3043030	24ABB342C30	FV4BN(B,F)003		40500	11.20	13.50	1
3043031	24ABB342C30	FV4BN(B,F)005		42000	12.00	14.50	1
3043032	24ABB342C30	FV4BNB006		42000	12.20	14.50	1
3043149	24ABB342C30	FX4CN(B,F)042		41500	11.20	13.50	1
3043150	24ABB342C30	FX4CN(B,F)048		42000	11.70	14.00	1
3043147	24ABB342C30	FY4ANF042		40500	10.50	13.00	1
3043148	24ABB342C30	FY4ANF048		42000	10.70	13.20	1
3043155	24ABB348C30	†*CAP**4821A**+TDR		46500	10.70	13.00	1
3043157	24ABB348C30	CAP**4817A**	58CV(A,X)090-16	45000	11.20	13.20	1
3043156	24ABB348C30	CAP**4817A**+TDR		45000	10.70	13.00	1
3043160	24ABB348C30	CAP**4821A**	58CV(A,X)110-20	46000	11.20	13.50	1
3043158	24ABB348C30	CAP**4821A**	58MV(B,C)080-20	45500	11.20	13.20	1
3043159	24ABB348C30	CAP**4821A**	58MV(B,C)100-20	46000	11.20	13.20	1
3043161	24ABB348C30	CAP**4821A**	58PH*090-16	46000	11.20	13.50	1
3043162	24ABB348C30	CAP**4821A**	58PH*110-20	46000	11.50	13.50	1
3043165	24ABB348C30	CAP**4824A**	58CV(A,X)135-22	46000	11.50	13.50	1
3043166	24ABB348C30	CAP**4824A**	58CV(A,X)155-22	46000	11.50	13.50	1
3043164	24ABB348C30	CAP**4824A**	58MV(B,C)120-20	46000	11.20	13.50	1
3043167	24ABB348C30	CAP**4824A**	58PH*135-20	46000	11.50	13.50	1
3043163	24ABB348C30	CAP**4824A**+TDR		46500	10.70	13.00	1
3043171	24ABB348C30	CAP**6021A**	58CV(A,X)110-20	46000	11.70	13.50	1
3043169	24ABB348C30	CAP**6021A**	58MV(B,C)080-20	46000	11.50	13.50	1
3043170	24ABB348C30	CAP**6021A**	58MV(B,C)100-20	46000	11.50	13.50	1
3043172	24ABB348C30	CAP**6021A**	58PH*090-16	47000	11.70	13.50	1
3043173	24ABB348C30	CAP**6021A**	58PH*110-20	47000	11.70	14.00	1
3043168	24ABB348C30	CAP**6021A**+TDR		46500	11.00	13.20	1
3043176	24ABB348C30	CAP**6024A**	58CV(A,X)135-22	47000	11.70	14.00	1
3043177	24ABB348C30	CAP**6024A**	58CV(A,X)155-22	47000	11.70	14.00	1
3043175	24ABB348C30	CAP**6024A**	58MV(B,C)120-20	47000	11.50	13.50	1
3043178	24ABB348C30	CAP**6024A**	58PH*135-20	47000	11.70	13.50	1
3043174	24ABB348C30	CAP**6024A**+TDR		47500	11.00	13.20	1
3043217	24ABB348C30	CNPF*4818A**+TDR		45500	10.70	13.00	1
3043199	24ABB348C30	CNPH*4821A**	58CV(A,X)090-16	46000	11.20	13.50	1
3043200	24ABB348C30	CNPH*4821A**	58CV(A,X)110-20	46000	11.20	13.50	1
3043201	24ABB348C30	CNPH*4821A**	58CV(A,X)135-22	46000	11.50	13.50	1
3043202	24ABB348C30	CNPH*4821A**	58CV(A,X)155-22	46000	11.70	13.50	1
3043196	24ABB348C30	CNPH*4821A**	58MV(B,C)080-20	45500	11.20	13.20	1
3043197	24ABB348C30	CNPH*4821A**	58MV(B,C)100-20	46000	11.20	13.20	1
3043198	24ABB348C30	CNPH*4821A**	58MV(B,C)120-20	46000	11.20	13.50	1
3043203	24ABB348C30	CNPH*4821A**	58PH*090-16	46000	11.20	13.50	1
3043204	24ABB348C30	CNPH*4821A**	58PH*110-20	46000	11.50	13.50	1
3043205	24ABB348C30	CNPH*4821A**	58PH*135-20	46000	11.50	13.50	1
3043195	24ABB348C30	CNPH*4821A**+TDR		46500	10.70	13.00	1
3043210	24ABB348C30	CNPH*6024A**	58CV(A,X)090-16	46500	11.50	13.50	1
3043211	24ABB348C30	CNPH*6024A**	58CV(A,X)110-20	47000	11.70	13.50	1
3043212	24ABB348C30	CNPH*6024A**	58CV(A,X)135-22	47000	11.70	14.00	1
3043213	24ABB348C30	CNPH*6024A**	58CV(A,X)155-22	47000	11.70	14.00	1
3043207	24ABB348C30	CNPH*6024A**	58MV(B,C)080-20	46500	11.50	13.50	1
3043208	24ABB348C30	CNPH*6024A**	58MV(B,C)100-20	47000	11.20	13.50	1
3043209	24ABB348C30	CNPH*6024A**	58MV(B,C)120-20	47000	11.50	13.50	1
3043214	24ABB348C30	CNPH*6024A**	58PH*090-16	47000	11.50	13.50	1
3043215	24ABB348C30	CNPH*6024A**	58PH*110-20	47000	11.70	14.00	1
3043216	24ABB348C30	CNPH*6024A**	58PH*135-20	47000	11.70	13.50	1
3043206	24ABB348C30	CNPH*6024A**+TDR		47500	11.00	13.20	1
3043182	24ABB348C30	CNPV*4821A**	58CV(A,X)110-20	46000	11.20	13.50	1
3043180	24ABB348C30	CNPV*4821A**	58MV(B,C)080-20	45500	11.20	13.20	1
3043181	24ABB348C30	CNPV*4821A**	58MV(B,C)100-20	46000	11.20	13.20	1
3043183	24ABB348C30	CNPV*4821A**	58PH*090-16	46000	11.20	13.50	1
3043184	24ABB348C30	CNPV*4821A**	58PH*110-20	46000	11.50	13.50	1
3043179	24ABB348C30	CNPV*4821A**+TDR		46500	10.70	13.00	1
3043187	24ABB348C30	CNPV*4824A**	58CV(A,X)135-22	46000	11.50	13.50	1
3043188	24ABB348C30	CNPV*4824A**	58CV(A,X)155-22	46000	11.50	13.50	1
3043186	24ABB348C30	CNPV*4824A**	58MV(B,C)120-20	46000	11.20	13.50	1
3043189	24ABB348C30	CNPV*4824A**	58PH*135-20	46000	11.50	13.50	1
3043185	24ABB348C30	CNPV*4824A**+TDR		46500	10.70	13.00	1
3043192	24ABB348C30	CNPV*6024A**	58CV(A,X)135-22	47000	11.70	14.00	1
3043193	24ABB348C30	CNPV*6024A**	58CV(A,X)155-22	47000	11.70	14.00	1
3043191	24ABB348C30	CNPV*6024A**	58MV(B,C)120-20	47000	11.50	13.50	1
3043194	24ABB348C30	CNPV*6024A**	58PH*135-20	47000	11.70	13.50	1
3043190	24ABB348C30	CNPV*6024A**+TDR		47500	11.00	13.20	1
3043222	24ABB348C30	CSPH*4812A**	58CV(A,X)090-16	46000	11.20	13.20	1
3043223	24ABB348C30	CSPH*4812A**	58CV(A,X)110-20	46000	11.20	13.50	1

24ABB3C

See notes on page 16

COMBINATION RATINGS (CONT.)

24ABB3C

ARI Ref. No.	Model Number	Indoor Model	Furnace Model	Capacity	EER	SEER	Phase
3043224	24ABB348C30	CSPH*4812A**	58CV(A,X)135-22	46000	11.50	13.50	1
3043225	24ABB348C30	CSPH*4812A**	58CV(A,X)155-22	46000	11.70	13.50	1
3043219	24ABB348C30	CSPH*4812A**	58MV(B,C)080-20	45500	11.20	13.20	1
3043220	24ABB348C30	CSPH*4812A**	58MV(B,C)100-20	46000	11.20	13.20	1
3043221	24ABB348C30	CSPH*4812A**	58MV(B,C)120-20	46000	11.20	13.50	1
3043226	24ABB348C30	CSPH*4812A**	58PH*090-16	46000	11.20	13.50	1
3043227	24ABB348C30	CSPH*4812A**	58PH*110-20	46000	11.50	13.50	1
3043228	24ABB348C30	CSPH*4812A**	58PH*135-20	46000	11.50	13.50	1
3043218	24ABB348C30	CSPH*4812A**+TDR		46500	10.70	13.00	1
3043233	24ABB348C30	CSPH*6012A**	58CV(A,X)090-16	47000	11.70	13.50	1
3043234	24ABB348C30	CSPH*6012A**	58CV(A,X)110-20	47000	11.70	13.50	1
3043235	24ABB348C30	CSPH*6012A**	58CV(A,X)135-22	47000	11.70	14.00	1
3043236	24ABB348C30	CSPH*6012A**	58CV(A,X)155-22	47000	11.70	14.00	1
3043230	24ABB348C30	CSPH*6012A**	58MV(B,C)080-20	46500	11.50	13.50	1
3043231	24ABB348C30	CSPH*6012A**	58MV(B,C)100-20	47000	11.50	13.50	1
3043232	24ABB348C30	CSPH*6012A**	58MV(B,C)120-20	47000	11.50	13.50	1
3043237	24ABB348C30	CSPH*6012A**	58PH*090-16	47000	11.50	13.50	1
3043238	24ABB348C30	CSPH*6012A**	58PH*110-20	47000	11.70	14.00	1
3043239	24ABB348C30	CSPH*6012A**	58PH*135-20	47000	11.70	13.50	1
3043229	24ABB348C30	CSPH*6012A**+TDR		47500	11.00	13.20	1
3043244	24ABB348C30	FE4AN(B,F)005+UI		47000	11.70	14.00	1
3043245	24ABB348C30	FE4ANB006+UI		47500	12.20	14.50	1
3043246	24ABB348C30	FV4BN(B,F)005		47000	11.70	14.00	1
3043247	24ABB348C30	FV4BNB006		47500	12.20	14.50	1
3043242	24ABB348C30	FX4CN(B,F)048		47500	11.00	13.00	1
3043243	24ABB348C30	FX4CN(B,F)060		48000	12.00	14.00	1
3043241	24ABB348C30	FY4ANB060		48000	11.00	13.00	1
3043240	24ABB348C30	FY4ANF048		46500	11.00	13.00	1
3043248	24ABB360C30	†*CAP**6024A**+TDR		59500	11.20	13.00	1
3043250	24ABB360C30	CAP**6021A**	58CV(A,X)110-20	58500	11.20	13.20	1
3043251	24ABB360C30	CAP**6021A**	58PH*110-20	58500	11.50	13.50	1
3043249	24ABB360C30	CAP**6021A**+TDR		58500	11.20	13.00	1
3043253	24ABB360C30	CAP**6024A**	58CV(A,X)135-22	58500	11.50	13.50	1
3043254	24ABB360C30	CAP**6024A**	58CV(A,X)155-22	58500	11.50	13.20	1
3043252	24ABB360C30	CAP**6024A**	58MV(B,C)120-20	58000	11.20	13.00	1
3043255	24ABB360C30	CAP**6024A**	58PH*135-20	58000	11.50	13.20	1
3043263	24ABB360C30	CNPV*6024A**	58CV(A,X)110-20	58000	11.20	13.20	1
3043264	24ABB360C30	CNPV*6024A**	58CV(A,X)135-22	58500	11.50	13.50	1
3043265	24ABB360C30	CNPV*6024A**	58CV(A,X)155-22	58500	11.50	13.20	1
3043262	24ABB360C30	CNPV*6024A**	58MV(B,C)120-20	58000	11.20	13.00	1
3043266	24ABB360C30	CNPV*6024A**	58PH*110-20	58500	11.50	13.50	1
3043267	24ABB360C30	CNPV*6024A**	58PH*135-20	58000	11.50	13.20	1
3043261	24ABB360C30	CNPV*6024A**+TDR		59500	11.20	13.00	1
3043258	24ABB360C30	CNPV*6024A**	58CV(A,X)135-22	58500	11.50	13.50	1
3043259	24ABB360C30	CNPV*6024A**	58CV(A,X)155-22	58500	11.50	13.20	1
3043257	24ABB360C30	CNPV*6024A**	58MV(B,C)120-20	58000	11.20	13.00	1
3043260	24ABB360C30	CNPV*6024A**	58PH*135-20	58000	11.50	13.20	1
3043256	24ABB360C30	CNPV*6024A**+TDR		59500	11.20	13.00	1
3043270	24ABB360C30	CSPH*6012A**	58CV(A,X)110-20	58500	11.20	13.20	1
3043271	24ABB360C30	CSPH*6012A**	58CV(A,X)135-22	58500	11.50	13.50	1
3043272	24ABB360C30	CSPH*6012A**	58CV(A,X)155-22	58500	11.50	13.20	1
3043269	24ABB360C30	CSPH*6012A**	58MV(B,C)120-20	58000	11.20	13.00	1
3043273	24ABB360C30	CSPH*6012A**	58PH*110-20	58500	11.50	13.50	1
3043274	24ABB360C30	CSPH*6012A**	58PH*135-20	58000	11.50	13.20	1
3043268	24ABB360C30	CSPH*6012A**+TDR		59500	11.20	13.00	1
3043276	24ABB360C30	FE4ANB006+UI		59500	11.70	13.50	1
3043277	24ABB360C30	FV4BNB006		59500	11.70	13.50	1
3043275	24ABB360C30	FX4CN(B,F)060		60000	11.70	13.50	1

† Tested combination
EER — Energy Efficiency Ratio
SEER — Seasonal Energy Efficiency Ratio
TDR — Time-Delay Relay

NOTES:

- In most cases, only 1 method should be used to achieve TDR function. Using more than 1 method in a system may cause degradation in performance. Use either the accessory Time-Delay Relay KAATD0101TDR or a furnace equipped with TDR. Most Carrier furnaces are equipped with TDR.
- Ratings are net values reflecting the effects of circulating fan motor heat. Supplemental electric heat is not included.
- Tested outdoor/indoor combinations have been tested in accordance with DOE test procedures for central air conditioners. Ratings for other combinations are determined under DOE computer simulation procedures.
- Determine actual CFM values obtainable for your system by referring to fan performance data in fan coil or furnace coil literature.
- Do not apply with capillary tube coils as performance and reliability are affected.
- Do not apply with capillary tube coils as performance and reliability are affected.

Ratings contained in this document are subject to change at any time. Always refer to the AHRI directory (www.ahridirectory.org) for the most up-to-date ratings information.

DETAILED COOLING CAPACITIES#

EVAPORATOR AIR		CONDENSER ENTERING AIR TEMPERATURES ° F (° C)																							
		75 (23.9)				85 (29.4)				95 (35)				105 (40.6)				115 (46.1)				125 (51.7)			
		CFM	EWB ° F (° C)	Capacity MBTuh		Total System KW**	Capacity MBTuh		Total System KW**	Capacity MBTuh		Total System KW**	Capacity MBTuh		Total System KW**	Capacity MBTuh		Total System KW**	Capacity MBTuh		Total System KW**				
Total	Sens†			Total	Sens†		Total	Sens†		Total	Sens†		Total	Sens†		Total	Sens†		Total	Sens†					
24ABB318C30 Outdoor Section With CAP**1814A** Indoor Section																									
		72 (22.2)	21.05	10.18	1.27	20.99	9.84	1.42	19.06	9.48	1.58	18.01	9.12	1.76	16.89	8.74	1.96	15.64	8.33	2.17					
525		67 (19.4)	19.27	12.51	1.27	18.38	12.16	1.42	17.43	11.79	1.58	16.45	11.42	1.76	15.41	11.03	1.96	14.26	10.61	2.17					
		63 (17.2)††	17.99	12.13	1.27	17.14	11.78	1.42	16.25	11.41	1.58	15.32	11.03	1.76	14.33	10.64	1.96	13.24	10.21	2.17					
		62 (16.7)	17.68	14.82	1.27	16.86	14.46	1.42	16.01	14.09	1.58	15.13	13.68	1.76	14.28	14.28	1.96	13.40	13.40	2.17					
		57 (13.9)	17.16	17.16	1.27	16.51	16.51	1.42	15.81	15.81	1.58	15.07	15.07	1.76	14.28	14.28	1.96	13.40	13.40	2.17					
600		72 (22.2)	21.40	10.67	1.29	20.39	10.32	1.44	19.33	9.96	1.61	18.25	9.60	1.79	17.08	9.21	1.98	15.80	8.79	2.20					
		67 (19.4)	19.61	13.30	1.30	18.68	12.95	1.45	17.70	12.58	1.61	16.69	12.21	1.79	15.61	11.81	1.99	14.43	11.38	2.20					
		63 (17.2)††	18.32	12.88	1.30	17.44	12.53	1.45	16.52	12.16	1.61	15.55	11.77	1.79	14.53	11.37	1.99	13.42	10.92	2.20					
		62 (16.7)	18.08	15.91	1.30	17.25	15.53	1.45	16.41	16.41	1.61	15.63	15.63	1.79	14.79	14.79	1.99	13.85	13.85	2.20					
		57 (13.9)	17.87	17.87	1.30	17.17	17.17	1.45	16.42	16.42	1.61	15.63	15.63	1.79	14.79	14.79	1.99	13.85	13.85	2.20					
675		72 (22.2)	21.65	11.13	1.32	20.61	10.78	1.47	19.51	10.42	1.63	18.40	10.05	1.82	17.21	9.66	2.01	15.89	9.24	2.23					
		67 (19.4)	19.86	14.07	1.33	18.90	13.71	1.47	17.89	13.34	1.64	16.86	12.96	1.82	15.76	12.55	2.01	14.55	12.11	2.23					
		63 (17.2)††	18.57	13.60	1.33	17.66	13.24	1.48	16.71	12.86	1.64	15.73	12.47	1.82	14.68	12.06	2.01	13.55	11.60	2.23					
		62 (16.7)	18.46	18.35	1.33	17.70	17.70	1.48	16.91	16.91	1.64	16.09	16.09	1.82	15.20	15.20	2.01	14.21	14.21	2.23					
		57 (13.9)	18.45	18.45	1.33	17.70	17.70	1.48	16.91	16.91	1.64	16.09	16.09	1.82	15.20	15.20	2.01	14.21	14.21	2.23					

Cooling Indoor Model	Capacity	Power	Furnace Model
CNP**1814A**	1.02	0.92	58PH*045-08
CNP**2417A**	1.01	0.91	58PH*045-08
CNP**2414A**	1.02	0.92	58PH*045-08
CSPH*2412A**	1.02	0.92	58PH*045-08

See notes on pg. 23

Cooling Indoor Model	Capacity	Power	Furnace Model
*CAP**1814A**	1.00	1.00	
CAP**2414A**	1.02	1.00	
CAP**2417A**	1.02	1.00	
CNP**2418A**	1.02	1.00	
CNP**2417A**	1.02	1.00	
CNP**1814A**	1.00	1.00	
CNP**2414A**	1.02	1.00	
CNP**2417A**	1.02	1.00	
CSPH*2412A**	1.02	1.00	
FE4ANF002	0.98	0.88	
FF1ENP018	1.00	1.00	
FF1ENP024	1.01	1.01	
FV4BNF002	0.98	0.88	
FX4CNF018	1.02	0.92	
FX4CNF024	1.02	0.92	
FY4ANF018	1.00	1.00	
FY4ANF024	1.02	1.02	
CAP**1814A**	0.99	0.91	58CV(A,X)070-12
CAP**2414A**	1.01	0.91	58CV(A,X)070-12
CNP**2417A**	1.01	0.91	58CV(A,X)070-12
CNP**1814A**	0.99	0.91	58CV(A,X)070-12
CNP**2414A**	1.01	0.91	58CV(A,X)070-12
CSPH*2412A**	1.01	0.91	58CV(A,X)070-12
CAP**2417A**	1.01	0.91	58CV(A,X)080-16
CNP**2417A**	1.01	0.91	58CV(A,X)080-16
CSPH*2412A**	1.02	0.92	58CV(A,X)080-16
CAP**2417A**	1.01	0.91	58MV(B,C)060-14
CNP**2417A**	1.01	0.91	58MV(B,C)060-14
CNP**2417A**	1.01	0.91	58MV(B,C)060-14
CNP**2417A**	1.02	0.92	58MV(B,C)060-14
CNP**2417A**	1.01	0.91	58MV(B,C)080-14
CSPH*2412A**	1.01	0.91	58MV(B,C)080-14
CNP**2417A**	1.01	0.91	58MV(B,C)080-14
CAP**1814A**	1.01	0.91	58MV(B,C)080-14
CAP**2414A**	1.02	0.92	58PH*045-08
CAP**2417A**	1.02	0.92	58PH*045-08



DETAILED COOLING CAPACITIES# (CONT.)

EVAPORATOR AIR		CONDENSER ENTERING AIR TEMPERATURES °F (°C)																	
CFM	EWB °F (°C)	75 (23.9)			85 (29.4)			95 (35)			105 (40.6)			115 (46.1)			125 (51.7)		
		Capacity MBTuh		Total System KW**	Capacity MBTuh		Total System KW**	Capacity MBTuh		Total System KW**	Capacity MBTuh		Total System KW**	Capacity MBTuh		Total System KW**	Capacity MBTuh		Total System KW**
		Total	Sens†	Total	Sens†	Total	Sens†	Total	Sens†	Total	Sens†	Total	Sens†	Total	Sens†	Total	Sens†	Total	
700	72 (22.2)	26.88	12.92	1.68	12.51	12.07	2.08	24.42	11.62	23.10	11.62	2.32	21.68	11.14	20.12	2.58	10.63	2.86	
	67 (19.4)	24.51	15.85	1.67	15.42	14.98	2.07	22.24	14.98	21.01	14.52	2.31	19.71	14.04	18.29	2.57	13.52	2.85	
	63 (17.2)††	22.81	15.35	1.66	14.92	14.47	2.07	20.67	14.01	19.51	14.01	2.30	18.29	13.52	16.96	2.57	13.00	2.85	
	62 (16.7)	22.41	18.77	1.66	18.33	17.87	2.07	20.35	17.38	19.27	17.38	2.30	18.24	18.24	17.16	2.56	17.16	2.85	
	61 (15.9)	21.79	17.19	1.66	20.98	20.38	2.07	20.13	20.13	19.22	19.22	2.30	18.24	18.24	17.16	2.56	17.16	2.85	
	72 (22.2)	27.35	13.56	1.72	13.14	12.70	2.12	24.79	12.70	23.43	12.24	2.36	21.95	11.76	20.34	2.61	11.23	2.90	
800	67 (19.4)	24.96	16.88	1.71	16.45	16.00	2.11	22.60	16.00	21.33	15.53	2.35	19.98	15.04	18.51	2.61	14.51	2.89	
	63 (17.2)††	23.25	16.32	1.70	15.98	15.43	2.11	21.02	15.43	19.83	14.96	2.34	18.56	14.46	17.19	2.60	13.92	2.89	
	62 (16.7)	22.94	20.17	1.70	19.70	20.92	2.11	20.92	20.92	19.66	19.66	2.34	18.91	18.91	17.76	2.60	17.76	2.89	
	57 (13.9)	22.71	22.71	1.70	21.84	20.93	2.11	20.93	20.93	19.96	19.96	2.34	18.91	18.91	17.76	2.60	17.76	2.89	
	72 (22.2)	27.70	14.16	1.76	13.74	13.29	2.16	25.06	13.29	23.65	12.83	2.39	22.14	12.84	20.47	2.65	11.81	2.93	
	67 (19.4)	25.30	17.86	1.75	17.43	16.97	2.15	22.87	16.97	21.57	16.50	2.39	20.18	15.99	18.68	2.64	15.45	2.93	
900	63 (17.2)††	23.58	17.24	1.74	16.80	16.34	2.14	21.28	16.34	20.06	15.86	2.38	18.76	15.34	17.36	2.64	14.79	2.93	
	62 (16.7)	23.45	23.45	1.74	22.55	21.58	2.15	21.58	21.58	20.56	20.56	2.38	19.45	19.45	18.24	2.64	18.24	2.93	
	57 (13.9)	23.47	23.47	1.74	22.55	21.58	2.15	21.58	21.58	20.56	20.56	2.38	19.45	19.45	18.24	2.64	18.24	2.93	

24ABB24C30 Outdoor Section With CAP**2414A** Indoor Section

Cooling Indoor Model	Capacity	Power	Furnace Model	Cooling Indoor Model	Capacity	Power	Furnace Model
CAP**2414A**	1.00	1.00	58CV(A,X)110-20	CAP**2414A**	1.00	0.91	58PH*045-08
CAP**2417A**	1.00	1.00	58CV(A,X)110-20	CAP**2417A**	1.00	0.91	58PH*045-08
CAP**3014A**	1.02	1.02	58CV(A,X)110-20	CAP**3014A**	1.02	0.91	58PH*045-08
CAP**3017A**	1.02	1.02	58CV(A,X)135-22	CNPV*3017A**	1.02	0.91	58PH*045-08
CNPV*2416A**	1.00	1.00	58CV(A,X)135-22	CNPV*2416A**	1.00	0.91	58PH*045-08
CNPV*2417A**	1.00	1.00	58CV(A,X)135-22	CNPV*2417A**	1.00	0.91	58PH*045-08
CNPV*2414A**	1.00	1.00	58CV(A,X)155-22	CSPH*2414A**	1.00	0.92	58PH*045-08
CNPV*2417A**	1.00	1.00	58CV(A,X)155-22	CSPH*2417A**	1.00	0.91	58PH*045-08

See notes on pg. 23

Cooling Indoor Model	Capacity	Power	Furnace Model	Cooling Indoor Model	Capacity	Power	Furnace Model
CNPV*3017A**	1.01	0.90	58CV(A,X)110-20	CNPV*3017A**	1.01	0.90	58CV(A,X)110-20
CSPH*2412A**	1.01	0.92	58CV(A,X)110-20	CSPH*2412A**	1.01	0.90	58CV(A,X)110-20
CSPH*3012A**	1.01	0.90	58CV(A,X)110-20	CSPH*3012A**	1.01	0.90	58CV(A,X)110-20
CNPV*2417A**	1.01	0.91	58CV(A,X)135-22	CNPV*2417A**	1.01	0.91	58CV(A,X)135-22
CNPV*3017A**	1.01	0.88	58CV(A,X)135-22	CNPV*3017A**	1.01	0.88	58CV(A,X)135-22
CSPH*2412A**	1.01	0.90	58CV(A,X)135-22	CSPH*2412A**	1.01	0.91	58CV(A,X)135-22
CNPV*2417A**	1.00	0.91	58CV(A,X)155-22	CNPV*2417A**	1.00	0.91	58CV(A,X)155-22
CNPV*3017A**	1.01	0.90	58CV(A,X)155-22	CNPV*3017A**	1.01	0.90	58CV(A,X)155-22
CSPH*2412A**	1.02	0.91	58CV(A,X)155-22	CSPH*2412A**	1.02	0.91	58CV(A,X)155-22
CAP**2417A**	1.01	0.90	58MV(B,C)060-14	CAP**2417A**	1.01	0.90	58MV(B,C)060-14
CAP**3017A**	1.02	0.92	58MV(B,C)060-14	CAP**3017A**	1.02	0.92	58MV(B,C)060-14
CNPV*2417A**	1.01	0.89	58MV(B,C)060-14	CNPV*2417A**	1.01	0.89	58MV(B,C)060-14
CNPV*3017A**	1.02	0.89	58MV(B,C)060-14	CNPV*3017A**	1.02	0.89	58MV(B,C)060-14
CSPH*2412A**	1.02	0.91	58MV(B,C)060-14	CSPH*2412A**	1.02	0.91	58MV(B,C)060-14
CSPH*3012A**	1.03	0.92	58MV(B,C)060-14	CSPH*3012A**	1.03	0.92	58MV(B,C)060-14
CNPV*2417A**	1.01	0.90	58MV(B,C)080-14	CNPV*2417A**	1.01	0.90	58MV(B,C)080-14
CNPV*3017A**	1.01	0.90	58MV(B,C)080-14	CNPV*3017A**	1.01	0.90	58MV(B,C)080-14
CSPH*2412A**	1.01	0.90	58MV(B,C)080-14	CSPH*2412A**	1.01	0.90	58MV(B,C)080-14
CSPH*3012A**	1.01	0.90	58MV(B,C)080-14	CSPH*3012A**	1.01	0.90	58MV(B,C)080-14
CNPV*2417A**	1.00	0.90	58MV(B,C)100-20	CNPV*2417A**	1.00	0.90	58MV(B,C)100-20
CNPV*3017A**	1.01	0.90	58MV(B,C)100-20	CNPV*3017A**	1.01	0.90	58MV(B,C)100-20
CSPH*2412A**	1.01	0.90	58MV(B,C)100-20	CSPH*2412A**	1.01	0.90	58MV(B,C)100-20
CSPH*3012A**	1.01	0.90	58MV(B,C)100-20	CSPH*3012A**	1.01	0.90	58MV(B,C)100-20
CNPV*2417A**	1.02	0.89	58MV(B,C)120-20	CNPV*2417A**	1.02	0.89	58MV(B,C)120-20
CNPV*3017A**	1.01	0.90	58MV(B,C)120-20	CNPV*3017A**	1.01	0.90	58MV(B,C)120-20
CSPH*2412A**	1.02	0.91	58MV(B,C)120-20	CSPH*2412A**	1.02	0.91	58MV(B,C)120-20
CSPH*3012A**	1.00	0.91	58MV(B,C)120-20	CSPH*3012A**	1.00	0.91	58MV(B,C)120-20
CNPV*2417A**	1.01	0.90	58MV(B,C)140-14	CNPV*2417A**	1.01	0.90	58MV(B,C)140-14
CNPV*3017A**	1.01	0.90	58MV(B,C)140-14	CNPV*3017A**	1.01	0.90	58MV(B,C)140-14
CSPH*2412A**	1.01	0.92	58MV(B,C)140-14	CSPH*2412A**	1.01	0.92	58MV(B,C)140-14
CSPH*3012A**	1.01	0.90	58MV(B,C)140-14	CSPH*3012A**	1.01	0.90	58MV(B,C)140-14

DETAILED COOLING CAPACITIES# (CONT.)

EVAPORATOR AIR		CONDENSER ENTERING AIR TEMPERATURES ° F (° C)																	
		75 (23.9)			85 (29.4)			95 (35)			105 (40.6)			115 (46.1)			125 (51.7)		
		CFM	EWB ° F (° C)	Capacity MBtu/h		Total System KW**	Capacity MBtu/h		Total System KW**	Capacity MBtu/h		Total System KW**	Capacity MBtu/h		Total System KW**	Capacity MBtu/h		Total System KW**	
Total	Sens†			Total	Sens†		Total	Sens†		Total	Sens†		Total	Sens†					
875	72 (22.2)	34.42	17.55	2.14	32.93	17.00	2.35	31.37	16.43	2.60	29.70	15.92	2.87	27.89	15.18	3.16	25.89	14.48	3.49
	67 (19.4)	31.38	21.54	2.13	30.01	20.98	2.34	28.55	20.39	2.59	27.00	19.78	2.86	25.33	19.12	3.15	23.50	18.41	3.48
	63 (17.2)††	29.20	20.86	2.12	27.90	20.28	2.34	26.52	19.69	2.58	25.06	19.06	2.85	23.49	18.40	3.15	21.76	17.68	3.47
	62 (16.7)	28.71	25.53	2.12	27.46	24.95	2.34	26.15	24.33	2.58	24.79	23.66	2.85	23.46	23.46	3.15	22.06	22.06	3.47
	57 (13.9)	27.97	27.97	2.11	26.95	26.95	2.34	25.88	25.88	2.58	24.72	24.72	2.85	23.46	23.46	3.15	22.06	22.06	3.47
	72 (22.2)	35.01	18.40	2.19	33.47	17.84	2.40	31.84	17.26	2.65	30.11	16.65	2.92	28.24	15.99	3.21	26.17	15.28	3.54
	67 (19.4)	31.95	22.91	2.17	30.51	22.34	2.39	29.00	21.75	2.64	27.40	21.13	2.91	25.68	20.46	3.20	23.79	19.73	3.53
1000	63 (17.2)††	29.74	22.14	2.17	28.38	21.56	2.39	26.96	20.96	2.63	25.45	20.33	2.90	23.82	19.65	3.20	22.05	18.91	3.52
	62 (16.7)	29.37	27.39	2.17	28.12	26.77	2.39	26.87	26.87	2.63	25.65	25.65	2.90	24.31	24.31	3.20	22.82	22.82	3.52
	57 (13.9)	29.11	29.11	2.16	28.03	28.03	2.38	26.88	26.88	2.63	25.65	25.65	2.90	24.31	24.31	3.20	22.82	22.82	3.52
	72 (22.2)	35.44	19.20	2.23	33.85	18.63	2.45	32.17	18.04	2.70	30.39	17.43	2.96	28.47	16.76	3.26	26.35	16.04	3.58
	67 (19.4)	32.36	24.22	2.22	30.89	23.65	2.44	29.34	23.05	2.68	27.70	22.41	2.95	25.94	21.73	3.25	24.01	20.98	3.57
1125	63 (17.2)††	30.14	23.37	2.21	28.75	22.78	2.43	27.29	22.17	2.68	25.74	21.53	2.95	24.08	20.83	3.24	22.27	20.06	3.57
	62 (16.7)	30.03	30.03	2.21	28.91	28.91	2.43	27.70	27.70	2.68	26.41	26.41	2.95	25.00	25.00	3.25	23.43	23.43	3.57
	57 (13.9)	30.05	30.05	2.21	28.92	28.92	2.43	27.70	27.70	2.68	26.41	26.41	2.95	25.00	25.00	3.25	23.43	23.43	3.57

24ABB30C30 Outdoor Section With CAP**3014A** Indoor Section

Cooling Indoor Model	Capacity	Power	Furnace Model	Cooling Indoor Model	Capacity	Power	Furnace Model	Cooling Indoor Model	Capacity	Power	Furnace Model
*CAP**3014A**	1.00	1.00	58CV(A,X)090-16	CNPH*3617A**	0.99	0.91	58CV(A,X)110-20	CSPH*3012A**	1.00	0.92	58MV(B,C)080-20
CAP**3017A**	1.00	1.00	58CV(A,X)090-16	CNPV*3017A**	0.99	0.91	58CV(A,X)110-20	CSPH*3612A**	1.01	0.91	58MV(B,C)080-20
CAP**3614A**	1.01	0.99	58CV(A,X)090-16	CNPV*3617A**	0.99	0.91	58CV(A,X)110-20	CAP**3621A**	0.99	0.91	58MV(B,C)100-20
CAP**3617A**	1.01	0.99	58CV(A,X)090-16	CSPH*3012A**	1.00	0.92	58CV(A,X)110-20	CNPV*3017A**	0.99	0.90	58MV(B,C)100-20
CAP**3621A**	1.01	0.99	58CV(A,X)090-16	CSPH*3612A**	1.00	0.90	58CV(A,X)110-20	CNPV*3621A**	0.99	0.90	58MV(B,C)100-20
CNPV*3618A**	1.00	1.00	58CV(A,X)110-20	CNPV*3617A**	1.00	0.90	58CV(A,X)110-20	CNPV*3617A**	0.99	0.91	58MV(B,C)100-20
CNPV*3017A**	1.00	1.00	58CV(A,X)110-20	CNPV*3617A**	1.00	0.92	58CV(A,X)110-20	CSPH*3012A**	1.01	0.91	58MV(B,C)100-20
CNPV*3617A**	1.00	1.00	58CV(A,X)110-20	CNPV*3617A**	1.00	0.92	58CV(A,X)110-20	CNPV*3617A**	1.00	0.90	58MV(B,C)120-20
CSPH*3012A**	1.00	1.00	58CV(A,X)135-22	CNPV*3017A**	1.00	0.90	58CV(A,X)135-22	CNPV*3017A**	0.99	0.91	58MV(B,C)120-20
CSPH*3612A**	1.01	0.99	58CV(A,X)135-22	CNPV*3617A**	1.00	0.90	58CV(A,X)135-22	CNPV*3617A**	0.99	0.91	58MV(B,C)120-20
FE4AN(F)003	1.01	0.91	58CV(A,X)135-22	CNPV*3617A**	1.01	0.91	58CV(A,X)135-22	CNPV*3617A**	0.99	0.91	58MV(B,C)120-20
FE4AN(F)005	1.03	0.91	58CV(A,X)155-22	CNPV*3617A**	1.00	0.90	58CV(A,X)155-22	CNPV*3617A**	0.99	0.91	58MV(B,C)120-20
FE4AN(F)002	0.97	0.89	58CV(A,X)155-22	CNPV*3617A**	1.00	0.90	58CV(A,X)155-22	CNPV*3617A**	1.00	0.92	58MV(B,C)120-20
FE5AN(B)004	1.03	0.91	58CV(A,X)155-22	CNPV*3617A**	1.00	0.90	58CV(A,X)155-22	CNPV*3617A**	1.00	0.92	58MV(B,C)120-20
FF1ENP030	0.99	0.99	58CV(A,X)155-22	CNPV*3617A**	1.01	0.91	58CV(A,X)155-22	CNPV*3617A**	1.00	0.92	58MV(B,C)120-20
FF1ENP036	1.01	0.99	58MV(B,C)060-14	CNPV*3617A**	1.00	0.92	58MV(B,C)060-14	CNPV*3617A**	1.00	0.92	58MV(B,C)120-20
FV4BN(B,F)003	1.01	0.91	58MV(B,C)060-14	CNPV*3617A**	1.00	0.90	58MV(B,C)060-14	CNPV*3617A**	1.00	0.92	58MV(B,C)120-20
FV4BN(B,F)005	1.03	0.89	58MV(B,C)060-14	CNPV*3617A**	1.00	0.92	58MV(B,C)060-14	CNPV*3617A**	1.00	0.92	58MV(B,C)120-20
FV4BN(F)002	0.97	0.89	58MV(B,C)060-14	CNPV*3617A**	1.00	0.92	58MV(B,C)060-14	CNPV*3617A**	1.00	0.92	58MV(B,C)120-20
FV4BN(F)006	1.01	0.95	58MV(B,C)060-14	CNPV*3617A**	1.00	0.92	58MV(B,C)060-14	CNPV*3617A**	1.00	0.92	58MV(B,C)120-20
FV4AN(F)030	1.01	0.92	58MV(B,C)060-14	CNPV*3617A**	1.00	0.92	58MV(B,C)060-14	CNPV*3617A**	1.00	0.92	58MV(B,C)120-20
FV4AN(F)036	0.99	0.98	58MV(B,C)060-14	CNPV*3617A**	1.00	0.92	58MV(B,C)060-14	CNPV*3617A**	1.00	0.92	58MV(B,C)120-20
FV4AN(F)036	1.00	1.00	58CV(A,X)070-12	CNPV*3617A**	1.00	0.90	58CV(A,X)070-12	CNPV*3617A**	1.00	0.90	58MV(B,C)080-16
CAP**3014A**	0.99	0.91	58CV(A,X)070-12	CNPV*3617A**	0.99	0.91	58CV(A,X)070-12	CNPV*3617A**	1.00	0.92	58MV(B,C)080-16
CAP**3614A**	0.99	0.91	58CV(A,X)070-12	CNPV*3617A**	0.99	0.91	58CV(A,X)070-12	CNPV*3617A**	1.00	0.92	58MV(B,C)080-16
CNPV*3017A**	0.99	0.91	58CV(A,X)070-12	CNPV*3617A**	0.99	0.91	58CV(A,X)070-12	CNPV*3617A**	1.00	0.92	58MV(B,C)080-16
CNPV*3617A**	0.99	0.91	58CV(A,X)070-12	CNPV*3617A**	0.99	0.91	58CV(A,X)070-12	CNPV*3617A**	1.00	0.92	58MV(B,C)080-16
CNPV*3014A**	0.99	0.91	58CV(A,X)070-12	CNPV*3617A**	0.99	0.91	58CV(A,X)070-12	CNPV*3617A**	1.00	0.92	58MV(B,C)080-16
CSPH*3012A**	0.99	0.91	58CV(A,X)070-12	CNPV*3617A**	0.99	0.91	58CV(A,X)070-12	CNPV*3617A**	1.00	0.92	58MV(B,C)080-16
CSPH*3612A**	0.99	0.91	58CV(A,X)090-16	CNPV*3617A**	0.99	0.91	58CV(A,X)090-16	CNPV*3617A**	1.00	0.92	58MV(B,C)080-16
CAP**3017A**	0.90	0.90	58CV(A,X)090-16	CNPV*3617A**	0.99	0.91	58CV(A,X)090-16	CNPV*3617A**	1.00	0.92	58MV(B,C)080-16
CAP**3617A**	1.00	0.90	58CV(A,X)090-16	CNPV*3617A**	0.99	0.91	58CV(A,X)090-16	CNPV*3617A**	1.00	0.92	58MV(B,C)080-16
CNPV*3017A**	0.99	0.91	58CV(A,X)090-16	CNPV*3617A**	0.99	0.91	58CV(A,X)090-16	CNPV*3617A**	1.00	0.92	58MV(B,C)080-16

See notes on pg. 23



DETAILED COOLING CAPACITIES# (CONT.)

EVAPORATOR AIR		CONDENSER ENTERING AIR TEMPERATURES ° F (° C)																			
CFM	EWB ° F (° C)	75 (23.9)			85 (29.4)			95 (35)			105 (40.6)			115 (46.1)			125 (51.7)				
		Capacity MBtu/h		Total System KW**	Capacity MBtu/h		Total System KW**	Capacity MBtu/h		Total System KW**	Capacity MBtu/h		Total System KW**	Capacity MBtu/h		Total System KW**	Capacity MBtu/h		Total System KW**		
		Total	Sens†	Total	Sens†	Total	Sens†	Total	Sens†	Total	Sens†	Total	Sens†	Total	Sens†	Total	Sens†	Total	Sens†		
1050	72 (22.2)	40.76	20.75	38.98	20.09	2.87	37.11	19.41	3.17	35.12	18.88	3.51	32.94	17.90	3.88	30.52	17.04	4.27			
	67 (19.4)	37.32	25.53	35.68	24.85	2.85	33.93	24.15	3.16	32.08	23.40	3.49	30.07	22.61	3.86	27.85	21.75	4.25			
	63 (17.2)††	34.83	24.75	33.28	24.07	2.84	31.63	23.35	3.14	29.88	22.60	3.48	27.99	21.80	3.84	25.91	20.93	4.23			
	62 (16.7)	34.25	30.28	32.76	29.59	2.83	31.19	28.85	3.14	28.56	28.05	3.47	27.92	27.82	3.84	26.21	26.21	4.23			
	57 (13.9)	33.35	33.35	32.13	32.13	2.83	30.83	30.83	3.14	29.44	29.44	3.47	27.92	27.92	3.84	26.22	26.22	4.23			
	72 (22.2)	41.38	21.69	39.54	21.01	2.93	37.60	20.32	3.23	35.53	19.58	3.57	33.28	18.79	3.94	30.79	17.92	4.33			
1200	67 (19.4)	37.92	27.04	36.21	26.36	2.91	34.40	25.64	3.21	32.49	24.90	3.55	30.42	24.09	3.92	28.14	23.21	4.31			
	63 (17.2)††	35.41	26.18	33.79	25.48	2.92	32.08	24.75	3.20	30.28	24.00	3.54	28.34	23.18	3.90	26.21	22.29	4.29			
	62 (16.7)	34.98	32.38	33.47	31.64	2.89	31.90	30.47	3.20	30.47	30.47	3.54	28.85	28.85	3.90	27.03	27.03	4.30			
	57 (13.9)	34.63	34.63	33.33	33.33	2.89	31.95	31.95	3.20	30.47	30.47	3.54	28.85	28.85	3.90	27.04	27.04	4.30			
	72 (22.2)	41.84	22.56	39.94	21.88	2.99	37.95	21.17	3.29	35.82	20.42	3.63	33.52	19.62	4.00	30.96	18.73	4.39			
	67 (19.4)	38.36	28.48	36.59	27.79	2.97	34.75	27.08	3.27	32.79	26.32	3.61	30.68	25.50	3.98	28.36	24.59	4.37			
1350	63 (17.2)††	35.84	27.53	34.18	26.83	2.96	32.44	26.10	3.26	30.59	25.33	3.60	28.61	24.50	3.96	26.43	23.57	4.35			
	62 (16.7)	35.68	35.40	34.30	34.30	2.96	32.85	32.85	3.26	31.29	31.29	3.60	29.59	29.59	3.97	27.88	27.88	4.36			
	57 (13.9)	35.67	35.67	34.31	34.31	2.96	32.85	32.85	3.26	31.29	31.29	3.60	29.59	29.59	3.97	27.88	27.88	4.36			

Cooling Indoor Model		Power		Capacity		Furnace Model	
*CAP**3617A**	CAP**3614A**	1.00	1.00	1.00	0.99	58CV(A,X)110-20	58CV(A,X)110-20
CAP**3614A**	CAP**3614A**	0.99	0.99	1.00	0.99	58CV(A,X)110-20	58CV(A,X)110-20
CAP**3621A**	CAP**3621A**	1.00	1.00	0.99	0.99	58CV(A,X)110-20	58CV(A,X)110-20
CAP**4224A**	CAP**4224A**	1.01	1.01	1.00	1.00	58CV(A,X)110-20	58CV(A,X)110-20
CNP**3618A**	CNP**3618A**	0.99	0.99	0.99	0.99	58CV(A,X)110-20	58CV(A,X)110-20
CNP**3617A**	CNP**3617A**	0.99	0.99	1.00	0.99	58CV(A,X)135-22	58CV(A,X)135-22
CNP**4221A**	CNP**4221A**	1.01	1.01	1.00	1.00	58CV(A,X)135-22	58CV(A,X)135-22
CNP**3621A**	CNP**3621A**	0.99	0.99	0.99	0.99	58CV(A,X)135-22	58CV(A,X)135-22
CNP**4212A**	CNP**4212A**	1.01	1.01	1.00	1.00	58CV(A,X)155-22	58CV(A,X)155-22
CSPH**3612A**	CSPH**3612A**	0.99	0.99	1.00	0.99	58CV(A,X)155-22	58CV(A,X)155-22
CSPH**4212A**	CSPH**4212A**	1.01	1.01	1.00	0.99	58CV(A,X)155-22	58CV(A,X)155-22
CAP**3617A**	CAP**3617A**	1.00	1.00	0.99	0.99	58MV(B,C)060-14	58MV(B,C)060-14
CAP**4224A**	CAP**4224A**	1.01	1.01	1.00	0.99	58MV(B,C)060-14	58MV(B,C)060-14
FE4ANB003	FE4ANB003	1.00	0.89	1.01	0.99	58CV(A,X)155-22	58CV(A,X)155-22
FE4ANB005	FE4ANB005	1.03	0.91	1.01	0.99	58CV(A,X)155-22	58CV(A,X)155-22
FE4ANB006	FE4ANB006	1.05	0.90	1.01	0.88	58CV(A,X)155-22	58CV(A,X)155-22
FE4ANF002	FE4ANF002	0.97	0.90	0.99	0.91	58MV(B,C)060-14	58MV(B,C)060-14
FE4ANF003	FE4ANF003	1.04	0.89	0.99	0.93	58MV(B,C)060-14	58MV(B,C)060-14
FE4ANF006	FE4ANF006	0.99	0.97	1.01	0.92	58MV(B,C)060-14	58MV(B,C)060-14
FV4BNB006	FV4BNB006	1.00	0.89	0.99	0.93	58MV(B,C)060-14	58MV(B,C)060-14
FV4BNB005	FV4BNB005	1.03	0.91	0.99	0.91	58MV(B,C)060-14	58MV(B,C)060-14
FV4BNB006	FV4BNB006	1.05	0.90	1.00	0.89	58MV(B,C)060-14	58MV(B,C)060-14
FV4BNF002	FV4BNF002	0.97	0.90	0.99	0.91	58MV(B,C)060-14	58MV(B,C)060-14
FV4BNF003	FV4BNF003	1.01	0.94	1.00	0.91	58MV(B,C)060-14	58MV(B,C)060-14
FV4BNB006	FV4BNB006	1.03	0.94	1.00	0.92	58MV(B,C)060-14	58MV(B,C)060-14
FV4ANF036	FV4ANF036	0.99	0.99	1.00	0.99	58MV(B,C)060-14	58MV(B,C)060-14
CAP**3614A**	CAP**3614A**	0.99	0.92	1.00	0.99	58MV(B,C)080-14	58MV(B,C)080-14
CNP**3617A**	CNP**3617A**	0.98	0.91	1.00	0.91	58MV(B,C)080-14	58MV(B,C)080-14
CNP**4221A**	CNP**4221A**	0.99	0.91	1.00	0.91	58MV(B,C)080-14	58MV(B,C)080-14
CSPH**3612A**	CSPH**3612A**	0.99	0.92	1.00	0.99	58MV(B,C)080-14	58MV(B,C)080-14
CAP**3617A**	CAP**3617A**	1.00	0.99	1.00	0.99	58MV(B,C)080-14	58MV(B,C)080-14
CNP**3617A**	CNP**3617A**	0.99	0.91	1.00	0.91	58MV(B,C)080-20	58MV(B,C)080-20
CNP**4221A**	CNP**4221A**	0.99	0.91	1.00	0.91	58MV(B,C)080-20	58MV(B,C)080-20
CNP**3617A**	CNP**3617A**	1.00	0.91	1.00	0.91	58MV(B,C)080-20	58MV(B,C)080-20
CNP**4221A**	CNP**4221A**	0.99	0.91	1.00	0.91	58MV(B,C)080-20	58MV(B,C)080-20
CNP**3617A**	CNP**3617A**	1.00	0.91	1.00	0.91	58MV(B,C)080-20	58MV(B,C)080-20
CNP**4221A**	CNP**4221A**	0.99	0.91	1.00	0.91	58MV(B,C)080-20	58MV(B,C)080-20
CNP**3617A**	CNP**3617A**	1.00	0.91	1.00	0.91	58MV(B,C)100-20	58MV(B,C)100-20
CNP**4221A**	CNP**4221A**	0.99	0.91	1.00	0.91	58MV(B,C)100-20	58MV(B,C)100-20

See notes on pg. 23

DETAILED COOLING CAPACITIES# (CONT.)

EVAPORATOR AIR		CONDENSER ENTERING AIR TEMPERATURES ° F (° C)																					
		75 (23.9)				85 (29.4)				95 (35)				105 (40.6)				115 (46.1)				125 (51.7)	
CFM	EWB ° F (° C)	Capacity MBTuh		Total System KW**	Capacity MBTuh		Total System KW**	Capacity MBTuh		Total System KW**	Capacity MBTuh		Total System KW**	Capacity MBTuh		Total System KW**	Capacity MBTuh		Total System KW**	Capacity MBTuh		Total System KW**	
		Total	Sens†		Total	Sens†		Total	Sens†		Total	Sens†		Total	Sens†		Total	Sens†		Total	Sens†		Total
1400	72 (22.2)	55.06	27.63	3.38	52.58	26.72	3.81	49.99	25.77	4.27	47.31	24.81	4.77	44.41	23.79	5.30	41.17	22.66	5.87				
	67 (19.4)	50.55	33.95	3.39	48.26	33.02	3.81	45.85	32.05	4.27	43.36	31.06	4.76	40.68	30.02	5.29	37.71	28.88	5.86				
	63 (17.2)††	47.28	32.99	3.40	45.11	32.04	3.81	42.84	31.06	4.27	40.49	30.06	4.75	37.97	29.00	5.28	35.20	27.86	5.85				
	62 (16.7)	46.40	40.21	3.40	44.30	39.26	3.81	42.13	38.26	4.26	39.90	37.21	4.75	37.58	37.58	5.28	35.36	35.36	5.85				
	57 (13.9)	44.94	44.94	3.40	43.26	43.26	3.40	41.49	41.49	4.26	39.63	39.63	4.75	37.61	37.61	5.28	35.36	35.36	5.85				
	72 (22.2)	55.93	28.89	3.46	53.34	27.96	3.89	50.65	27.01	4.35	47.88	26.04	4.85	44.88	25.00	5.38	41.53	23.85	5.95				
1600	67 (19.4)	51.40	36.00	3.47	49.01	35.05	3.89	46.50	34.07	4.35	43.92	33.07	4.84	41.15	32.02	5.37	38.09	30.86	5.94				
	63 (17.2)††	48.12	34.92	3.47	45.86	33.96	3.89	43.50	32.96	4.34	41.06	31.95	4.83	38.45	30.88	5.36	35.60	29.71	5.93				
	62 (16.7)	47.37	43.03	3.47	45.22	42.02	3.89	42.66	4.34	41.00	41.00	4.83	38.85	38.85	5.36	36.45	36.45	5.93					
	57 (13.9)	46.69	46.69	3.47	44.88	44.88	3.89	42.99	42.99	4.34	41.01	41.01	4.83	38.86	38.86	5.36	36.45	36.45	5.93				
	72 (22.2)	56.55	30.07	3.53	53.88	29.14	3.96	51.12	28.17	4.43	48.27	27.19	4.93	45.19	26.14	5.46	41.76	24.99	6.02				
	67 (19.4)	52.01	37.94	3.54	49.54	36.98	3.97	46.96	35.99	4.42	44.32	34.99	4.92	41.49	33.92	5.45	38.36	32.73	6.01				
1800	63 (17.2)††	48.73	36.74	3.55	46.39	35.77	3.97	43.97	34.77	4.42	41.47	33.75	4.91	38.80	32.85	5.44	35.88	31.45	6.01				
	62 (16.7)	48.22	45.57	3.55	46.18	46.18	3.97	44.19	44.19	4.42	42.10	42.10	4.91	39.84	39.84	5.44	37.30	37.30	6.01				
	57 (13.9)	48.10	48.10	3.55	46.20	46.20	3.97	44.19	44.19	4.42	42.11	42.11	4.91	39.84	39.84	5.44	37.31	37.31	6.01				

Cooling Indoor Model	Capacity	Power	Furnace Model	Cooling Indoor Model	Capacity	Power	Furnace Model
CAP**4817A**	0.97	0.97	58CV(A,X)135-22	CNPH*6024A**	1.01	0.92	58PH*110-20
CAP**4824A**	1.00	1.00	58CV(A,X)155-22	CNPH*4821A**	0.99	0.92	58PH*110-20
CAP**6021A**	1.00	0.97	58CV(A,X)155-22	CNPH*4821A**	1.01	0.92	58PH*110-20
CAP**6024A**	1.02	0.99	58CV(A,X)155-22	CSPH*6012A**	0.99	0.92	58PH*135-20
CNPF**4818A**	0.98	0.98	58CV(A,X)155-22	CAP**4824A**	1.01	0.92	58PH*135-20
CNPH*4821A**	1.00	1.00	58CV(A,X)155-22	CNPH*6024A**	1.01	0.92	58PH*135-20
CNPH*6024A**	1.02	0.99	58CV(A,X)155-22	CNPH*4821A**	0.99	0.92	58PH*135-20
CNPH*4821A**	1.00	1.00	58CV(A,X)155-22	CNPH*6024A**	1.01	0.92	58PH*135-20
CNPH*4824A**	1.00	1.00	58CV(A,X)155-22	CNPH*4821A**	0.99	0.92	58PH*135-20
CNPH*6024A**	1.02	0.99	58CV(A,X)155-22	CNPH*6024A**	1.01	0.92	58PH*135-20
CNPH*4821A**	1.00	1.00	58CV(A,X)155-22	CNPH*4821A**	0.99	0.92	58PH*135-20
CNPH*4824A**	1.00	1.00	58CV(A,X)155-22	CNPH*6024A**	1.01	0.92	58PH*135-20
CNPH*6024A**	1.02	0.99	58CV(A,X)155-22	CNPH*4821A**	0.99	0.92	58PH*135-20
FE4ANB006	1.01	0.92	58CV(A,X)155-22	CNPH*6024A**	1.01	0.92	58PH*135-20
FV4BNB006	1.01	0.92	58CV(A,X)155-22	CNPH*4821A**	0.99	0.92	58PH*135-20
FV4BNB006	1.02	0.90	58CV(A,X)155-22	CNPH*6024A**	1.01	0.92	58PH*135-20
FV4BNB006	1.02	0.99	58CV(A,X)155-22	CNPH*4821A**	0.99	0.92	58PH*135-20
FV4BNB006	1.03	0.92	58CV(A,X)155-22	CNPH*6024A**	1.01	0.92	58PH*135-20
FV4BNB006	1.03	1.00	58CV(A,X)155-22	CNPH*4821A**	0.99	0.92	58PH*135-20
FV4BNB006	1.00	0.97	58CV(A,X)155-22	CNPH*6024A**	1.01	0.92	58PH*135-20
CAP**4817A**	0.97	0.92	58CV(A,X)090-16	CNPH*4821A**	0.99	0.92	58PH*135-20
CNPH*4821A**	0.99	0.95	58CV(A,X)090-16	CNPH*6024A**	1.01	0.92	58PH*135-20
CNPH*6024A**	1.00	0.93	58CV(A,X)090-16	CNPH*4821A**	0.99	0.92	58PH*135-20
CSPH*4812A**	0.99	0.95	58CV(A,X)090-16	CNPH*6024A**	1.01	0.92	58PH*135-20
CSPH*6012A**	1.01	0.92	58CV(A,X)090-16	CNPH*4821A**	0.99	0.92	58PH*135-20
CAP**4821A**	1.01	0.92	58CV(A,X)110-20	CNPH*6024A**	1.01	0.92	58PH*135-20
CAP**4824A**	1.01	0.92	58CV(A,X)110-20	CNPH*4821A**	0.99	0.92	58PH*135-20
CAP**6021A**	1.01	0.92	58CV(A,X)110-20	CNPH*6024A**	1.01	0.92	58PH*135-20
CAP**6024A**	1.01	0.92	58CV(A,X)110-20	CNPH*4821A**	0.99	0.92	58PH*135-20
CNPH*4821A**	0.99	0.95	58CV(A,X)110-20	CNPH*6024A**	1.01	0.92	58PH*135-20
CNPH*4824A**	1.01	0.92	58CV(A,X)110-20	CNPH*4821A**	0.99	0.92	58PH*135-20
CNPH*6024A**	1.02	0.99	58CV(A,X)110-20	CNPH*6024A**	1.01	0.92	58PH*135-20
CNPH*4821A**	0.99	0.95	58CV(A,X)110-20	CNPH*4821A**	0.99	0.92	58PH*135-20
CNPH*4824A**	1.01	0.92	58CV(A,X)110-20	CNPH*6024A**	1.01	0.92	58PH*135-20
CNPH*6024A**	1.02	0.99	58CV(A,X)110-20	CNPH*4821A**	0.99	0.92	58PH*135-20
CNPH*4821A**	0.99	0.95	58CV(A,X)135-22	CNPH*6024A**	1.01	0.92	58PH*135-20
CNPH*4824A**	1.01	0.92	58CV(A,X)135-22	CNPH*4821A**	0.99	0.92	58PH*135-20
CNPH*6024A**	1.01	0.92	58CV(A,X)135-22	CNPH*6024A**	1.01	0.92	58PH*135-20
CNPH*4821A**	0.99	0.92	58CV(A,X)135-22	CNPH*4821A**	0.99	0.92	58PH*135-20
CNPH*4824A**	1.01	0.92	58CV(A,X)135-22	CNPH*6024A**	1.01	0.92	58PH*135-20
CNPH*6024A**	1.01	0.92	58CV(A,X)135-22	CNPH*4821A**	0.99	0.92	58PH*135-20
CNPH*4821A**	0.99	0.92	58CV(A,X)135-22	CNPH*6024A**	1.01	0.92	58PH*135-20

See notes on pg. 23

DETAILED COOLING CAPACITIES# (CONT.)

EVAPORATOR AIR		CONDENSER ENTERING AIR TEMPERATURES °F (°C)																	
CFM	EWB °F (°C)	75 (23.9)			85 (29.4)			95 (35)			105 (40.6)			115 (46.1)			125 (51.7)		
		Capacity MBtuh		Total System KW**	Capacity MBtuh		Total System KW**	Capacity MBtuh		Total System KW**	Capacity MBtuh		Total System KW**	Capacity MBtuh		Total System KW**	Capacity MBtuh		Total System KW**
		Total	Sens†		Total	Sens†		Total	Sens†		Total	Sens†		Total	Sens†		Total	Sens†	
		24ABB36C30 Outdoor Section With CAP**6024A** Indoor Section																	
	72 (22.2)	70.46	35.93	4.33	67.31	34.74	4.78	63.92	33.47	5.27	60.32	32.15	5.81	56.39	30.72	6.39	52.01	29.16	7.01
	67 (19.4)	64.68	44.05	4.27	61.75	42.83	4.72	58.63	41.54	5.21	55.32	40.20	5.74	51.73	38.76	6.33	47.76	37.20	6.95
	63 (17.2)††	60.51	42.82	4.22	57.76	41.60	4.67	54.83	40.30	5.16	51.74	38.95	5.70	48.40	37.51	6.28	44.72	35.95	6.91
	62 (16.7)	59.39	52.12	4.21	56.74	50.88	4.66	53.92	49.56	5.15	50.97	48.16	5.69	47.86	47.85	6.28	44.83	44.83	6.91
	57 (13.9)	57.39	57.39	4.19	55.26	55.26	4.64	52.97	52.97	5.14	50.52	50.52	5.68	47.85	47.85	6.28	44.83	44.83	6.91
	72 (22.2)	71.67	37.60	4.44	68.36	36.38	4.88	64.83	35.09	5.38	61.09	33.75	5.91	57.02	32.30	6.49	52.47	30.71	7.11
	67 (19.4)	65.82	46.74	4.37	62.76	45.50	4.78	59.50	44.19	5.31	56.06	42.82	5.85	52.35	41.37	6.43	48.23	39.77	7.05
	63 (17.2)††	61.62	45.36	4.33	58.75	44.10	4.78	55.69	42.78	5.27	52.48	41.41	5.80	49.02	39.95	6.39	45.21	38.36	7.01
	62 (16.7)	60.66	55.81	4.32	57.92	54.51	4.77	55.06	53.07	5.26	52.29	52.29	5.80	49.42	49.42	6.39	46.19	46.19	7.03
	57 (13.9)	59.65	59.65	4.31	57.36	57.36	4.76	54.91	54.91	5.26	52.29	52.29	5.80	49.42	49.42	6.39	46.19	46.19	7.03
	72 (22.2)	72.54	39.16	4.54	69.12	37.93	4.99	65.48	36.63	5.48	61.62	35.26	6.02	57.43	33.80	6.59	52.76	32.19	7.21
	67 (19.4)	66.64	49.29	4.48	63.48	48.03	4.92	60.13	46.72	5.42	56.59	45.34	5.95	52.78	43.85	6.53	48.57	42.20	7.15
	63 (17.2)††	62.43	47.75	4.43	59.46	46.48	4.88	56.32	45.15	5.37	53.02	43.76	5.91	49.46	42.26	6.49	45.57	40.61	7.11
	62 (16.7)	61.76	59.17	4.43	59.03	59.03	4.88	56.48	56.48	5.37	53.71	53.71	5.92	50.67	50.67	6.50	47.25	47.25	7.14
	57 (13.9)	61.50	61.50	4.42	59.08	59.08	4.88	56.48	56.48	5.37	53.71	53.71	5.92	50.67	50.67	6.51	47.26	47.26	7.14

Cooling Indoor Model	Capacity	Power	Furnace Model	Cooling Indoor Model	Capacity	Power	Furnace Model	Cooling Indoor Model	Capacity	Power	Furnace Model	Cooling Indoor Model	Capacity	Power	Furnace Model
CAP**6021A**	0.98	0.98	58CV(A,X)135-22	CAP**6024A**	0.98	0.96	58CV(A,X)135-22	CNPV*6024A**	0.98	0.96	58CV(A,X)135-22	CSPH*6012A**	0.97	0.97	58MV(B,C)120-20
CNPV*6024A**	1.00	1.00	58CV(A,X)135-22	CNPV*6024A**	0.98	0.96	58CV(A,X)135-22	CNPV*6024A**	0.98	0.96	58CV(A,X)135-22	CAP**6021A**	0.98	0.96	58PH*110-20
CNPV*6024A**	1.00	1.00	58CV(A,X)135-22	CSPH*6012A**	0.98	0.96	58CV(A,X)135-22	CNPV*6024A**	0.98	0.96	58CV(A,X)135-22	CNPV*6024A**	0.98	0.96	58PH*110-20
FE4NB006	1.00	0.96	58CV(A,X)155-22	CAP**6024A**	0.98	0.96	58CV(A,X)155-22	CSPH*6012A**	0.98	0.96	58CV(A,X)155-22	CAP**6024A**	0.97	0.95	58PH*135-20
FV4BNB006	1.00	0.96	58CV(A,X)155-22	CNPV*6024A**	0.98	0.96	58CV(A,X)155-22	CNPV*6024A**	0.98	0.96	58CV(A,X)155-22	CNPV*6024A**	0.97	0.95	58PH*135-20
FX4GN(B,F)060	1.01	0.97	58CV(A,X)155-22	CNPV*6024A**	0.98	0.96	58CV(A,X)155-22	CSPH*6012A**	0.98	0.96	58CV(A,X)155-22	CNPV*6024A**	0.97	0.95	58PH*135-20
CAP**6021A**	0.98	0.98	58CV(A,X)110-20	CSPH*6012A**	0.98	0.96	58CV(A,X)155-22	CNPV*6024A**	0.98	0.96	58CV(A,X)155-22	CNPV*6024A**	0.97	0.95	58PH*135-20
CNPV*6024A**	0.97	0.97	58CV(A,X)110-20	CAP**6024A**	0.97	0.97	58MV(B,C)120-20	CSPH*6012A**	0.97	0.97	58MV(B,C)120-20	CSPH*6012A**	0.97	0.95	58PH*135-20

* Tested combination.
† Total and sensible capacities are net capacities. Blower motor heat has been subtracted.
‡ Sensible capacities shown are based on 80°F (27°C) entering air at the indoor coil. For sensible capacities at other than 80°F (27°C), deduct 835 Btuh (245 kW) per 1000 CFM (480 L/S) of indoor coil air for each degree below 80°F (27°C), or add 835 Btuh (245 kW) per 1000 CFM (480 L/S) of indoor coil air per degree above 80°F (27°C).
Detailed cooling capacities are based on indoor and outdoor unit at the same elevation per ARI standard 210/240-94. If additional tubing length and/or indoor unit is located above outdoor unit, a slight variation in capacity may occur.
** System kw is total of indoor and outdoor unit kilowatts.
†† At TVA rating indoor condition (75°F edb/63°F ewb). All other indoor air temperatures are at 80°F edb.
NOTE: When the required data falls between the published data, interpolation may be performed. Extrapolation is not an acceptable practice.
EWB — Entering Wet Bulb
NOTE: When the required data fall between the published data, interpolation may be performed. Extrapolation is not an acceptable practice.



CONDENSER ONLY RATINGS*

SST °F (°C)		CONDENSER ENTERING AIR TEMPERATURES °F (°C)							
		55 (12.78)	65 (18.33)	75 (23.89)	85 (29.44)	95 (35.0)	105 (40.56)	115 (46.11)	125 (51.67)
24ABB318C30									
30 (-1.11)	TCG	16.90	15.90	15.00	14.00	12.90	11.90	10.80	9.70
	SDT	68.50	77.80	87.20	96.60	106.10	115.50	125.00	134.40
	KW	0.83	0.95	1.08	1.23	1.39	1.56	1.74	1.93
35 (1.67)	TCG	18.60	17.60	16.50	15.50	14.40	13.20	12.10	10.80
	SDT	69.60	78.90	88.30	97.60	107.00	116.40	125.80	135.20
	KW	0.83	0.95	1.08	1.23	1.39	1.56	1.75	1.94
40 (4.44)	TCG	20.50	19.40	18.20	17.10	15.90	14.70	13.40	12.10
	SDT	70.80	80.10	89.30	98.60	107.90	117.20	126.60	135.90
	KW	0.83	0.95	1.08	1.23	1.39	1.57	1.75	1.96
45 (7.22)	TCG	22.40	21.20	20.00	18.70	17.50	16.20	14.80	13.40
	SDT	72.10	81.30	90.50	99.70	108.90	118.20	127.40	136.70
	KW	0.83	0.95	1.08	1.23	1.39	1.57	1.76	1.96
50 (10.00)	TCG	24.40	23.10	21.80	20.50	19.10	17.70	16.20	14.70
	SDT	73.40	82.50	91.60	100.80	109.90	119.10	128.30	137.40
	KW	0.83	0.95	1.08	1.23	1.39	1.57	1.76	1.97
55 (12.78)	TCG	26.50	25.10	23.70	22.20	20.70	19.20	17.70	16.10
	SDT	74.80	83.80	92.90	101.90	111.00	120.10	129.20	138.20
	KW	0.83	0.95	1.08	1.23	1.39	1.57	1.76	1.97
24ABB324C30									
30 (-1.11)	TCG	20.60	19.40	18.30	17.10	16.00	14.70	13.50	12.20
	SDT	71.70	80.80	90.10	99.30	108.60	118.00	127.40	136.90
	KW	1.07	1.22	1.39	1.58	1.78	2.01	2.25	2.52
35 (1.67)	TCG	22.70	21.40	20.20	18.90	17.70	16.40	15.00	13.60
	SDT	73.10	82.20	91.30	100.50	109.70	119.00	128.40	137.70
	KW	1.08	1.23	1.40	1.58	1.79	2.02	2.27	2.54
40 (4.44)	TCG	24.90	23.60	22.20	20.90	19.50	18.10	16.60	15.10
	SDT	74.60	83.60	92.60	101.70	110.90	120.10	129.30	138.60
	KW	1.09	1.24	1.41	1.59	1.80	2.03	2.28	2.55
45 (7.22)	TCG	27.30	25.90	24.40	23.00	21.50	19.90	18.30	16.70
	SDT	76.20	85.00	94.00	103.00	112.00	121.20	130.30	139.50
	KW	1.10	1.25	1.42	1.60	1.81	2.04	2.29	2.56
50 (10.00)	TCG	29.80	28.30	26.70	25.10	23.50	21.90	20.20	18.30
	SDT	77.90	86.60	95.40	104.30	113.30	122.30	131.30	140.40
	KW	1.11	1.26	1.43	1.61	1.82	2.05	2.30	2.57
55 (12.78)	TCG	32.50	30.80	29.10	27.40	25.70	23.90	22.00	20.10
	SDT	79.60	88.20	97.00	105.80	114.60	123.50	132.40	141.30
	KW	1.12	1.27	1.44	1.62	1.83	2.06	2.31	2.58
24ABB330C30									
30 (-1.11)	TCG	26.90	25.50	24.00	22.50	21.00	19.40	17.70	15.90
	SDT	71.30	80.30	89.40	98.50	107.70	117.00	126.30	135.60
	KW	1.42	1.59	1.78	2.00	2.23	2.48	2.76	3.04
35 (1.67)	TCG	29.60	28.10	26.50	24.90	23.20	21.50	19.70	17.80
	SDT	72.70	81.60	90.60	99.70	108.80	118.00	127.20	136.40
	KW	1.42	1.60	1.79	2.00	2.24	2.50	2.78	3.07
40 (4.44)	TCG	32.50	30.90	29.20	27.40	25.70	23.80	21.90	19.80
	SDT	74.30	83.00	91.90	100.90	109.90	119.00	128.10	137.30
	KW	1.43	1.61	1.80	2.01	2.25	2.51	2.79	3.10
45 (7.22)	TCG	35.60	33.80	32.00	30.20	28.20	26.20	24.20	21.90
	SDT	75.90	84.50	93.30	102.10	111.10	120.10	129.10	138.20
	KW	1.45	1.62	1.81	2.02	2.26	2.52	2.81	3.12
50 (10.00)	TCG	38.90	37.00	35.00	33.00	31.00	28.80	26.60	24.20
	SDT	77.60	86.10	94.70	103.50	112.30	121.20	130.10	139.10
	KW	1.46	1.63	1.82	2.04	2.27	2.54	2.82	3.13
55 (12.78)	TCG	42.50	40.40	38.20	36.10	33.80	31.50	29.10	26.50
	SDT	79.50	87.80	96.30	104.90	113.60	122.40	131.20	140.00
	KW	1.48	1.65	1.84	2.05	2.29	2.55	2.84	3.15
24ABB336C30									
30 (-1.11)	TCG	33.30	31.50	29.70	27.80	25.90	23.90	21.80	19.50
	SDT	71.60	80.70	89.90	99.10	108.30	117.50	126.70	135.90
	KW	1.69	1.91	2.15	2.42	2.71	3.02	3.36	3.70
35 (1.67)	TCG	36.70	34.70	32.80	30.80	28.70	26.50	24.20	21.80
	SDT	73.10	82.10	91.20	100.30	109.40	118.60	127.70	136.80
	KW	1.70	1.92	2.16	2.43	2.73	3.05	3.39	3.75
40 (4.44)	TCG	40.20	38.10	36.00	33.80	31.60	29.30	26.80	24.20
	SDT	74.60	83.50	92.50	101.60	110.60	119.70	128.80	137.80
	KW	1.72	1.94	2.18	2.45	2.75	3.07	3.42	3.79
45 (7.22)	TCG	44.00	41.70	39.40	37.10	34.60	32.10	29.50	26.70
	SDT	76.30	85.10	94.00	102.90	111.90	120.90	129.90	138.80
	KW	1.74	1.95	2.20	2.47	2.77	3.10	3.45	3.82
50 (10.00)	TCG	47.90	45.50	43.00	40.40	37.80	35.10	32.30	29.20
	SDT	78.00	86.70	95.50	104.30	113.20	122.10	131.00	139.70
	KW	1.75	1.97	2.22	2.49	2.79	3.12	3.47	3.85
55 (12.78)	TCG	52.10	49.40	46.70	43.90	41.10	38.20	35.10	31.80
	SDT	79.80	88.40	97.00	105.80	114.60	123.30	132.10	140.70
	KW	1.78	1.99	2.24	2.51	2.81	3.14	3.49	3.87

24ABB3C

See notes on pg. 30

CONDENSER ONLY RATINGS* (CONT.)

SST °F (°C)		CONDENSER ENTERING AIR TEMPERATURES °F (°C)							
		55 (12.78)	65 (18.33)	75 (23.89)	85 (29.44)	95 (35.0)	105 (40.56)	115 (46.11)	125 (51.67)
24ABB342C30									
30 (-1.11)	TCG	38.30	36.20	34.00	31.90	29.80	27.70	25.50	23.20
	SDT	75.60	84.60	93.70	102.80	111.90	121.10	130.40	139.60
	KW	2.07	2.36	2.67	2.98	3.29	3.61	3.94	4.27
35 (1.67)	TCG	42.20	39.90	37.60	35.30	33.00	30.60	28.20	25.70
	SDT	77.30	86.10	95.10	104.10	113.10	122.30	131.40	140.60
	KW	2.01	2.33	2.64	2.97	3.30	3.64	3.98	4.33
40 (4.44)	TCG	46.40	43.90	41.30	38.80	36.30	33.80	31.10	28.40
	SDT	79.00	87.70	96.50	105.40	114.40	123.40	132.50	141.50
	KW	1.95	2.28	2.61	2.95	3.30	3.65	4.01	4.38
45 (7.22)	TCG	50.90	48.10	45.40	42.60	39.90	37.10	34.20	31.20
	SDT	80.80	89.40	98.10	106.90	115.70	124.60	133.50	142.40
	KW	1.88	2.22	2.57	2.93	3.29	3.66	4.03	4.41
50 (10.00)	TCG	55.60	52.60	49.60	46.60	43.60	40.50	37.40	34.10
	SDT	82.70	91.20	99.70	108.40	117.10	125.90	134.60	143.40
	KW	1.80	2.15	2.52	2.89	3.27	3.65	4.04	4.44
55 (12.78)	TCG	60.50	57.20	54.00	50.70	47.40	44.10	40.70	37.00
	SDT	84.70	93.00	101.40	109.90	118.50	127.20	135.80	144.30
	KW	1.71	2.08	2.45	2.84	3.23	3.64	4.04	4.45
24ABB348C30									
30 (-1.11)	TCG	43.60	41.10	38.60	36.20	33.70	31.20	28.70	26.10
	SDT	75.50	84.50	93.60	102.70	111.80	121.00	130.20	139.50
	KW	2.19	2.52	2.88	3.27	3.68	4.12	4.60	5.11
35 (1.67)	TCG	48.10	45.30	42.60	39.90	37.20	34.50	31.70	28.80
	SDT	77.20	86.10	95.00	104.00	113.10	122.20	131.30	140.40
	KW	2.19	2.53	2.89	3.29	3.71	4.16	4.64	5.16
40 (4.44)	TCG	52.80	49.80	46.80	43.90	40.90	38.00	34.90	31.70
	SDT	78.90	87.70	96.60	105.40	114.40	123.40	132.40	141.40
	KW	2.19	2.53	2.90	3.30	3.73	4.19	4.68	5.20
45 (7.22)	TCG	57.80	54.50	51.30	48.00	44.80	41.50	38.20	34.70
	SDT	80.80	89.40	98.10	106.90	115.70	124.60	133.50	142.30
	KW	2.18	2.53	2.91	3.31	3.75	4.21	4.71	5.24
50 (10.00)	TCG	63.00	59.40	55.90	52.30	48.80	45.20	41.60	37.70
	SDT	82.70	91.20	99.80	108.50	117.10	125.90	134.60	143.30
	KW	2.17	2.53	2.91	3.32	3.76	4.24	4.74	5.26
55 (12.78)	TCG	68.40	64.50	60.60	56.70	52.80	49.00	45.00	40.70
	SDT	84.80	93.10	101.50	110.00	118.60	127.20	135.80	144.20
	KW	2.17	2.53	2.91	3.33	3.78	4.25	4.76	5.29
24ABB360C30									
30 (-1.11)	TCG	57.70	54.50	51.30	48.00	44.70	41.20	37.70	33.90
	SDT	74.10	83.20	92.30	101.50	110.60	119.70	128.80	137.80
	KW	2.74	3.09	3.48	3.90	4.37	4.88	5.43	6.01
35 (1.67)	TCG	63.40	59.90	56.40	52.90	49.20	45.50	41.60	37.50
	SDT	75.80	84.80	93.80	102.90	111.90	120.90	129.90	138.80
	KW	2.79	3.14	3.53	3.96	4.43	4.94	5.49	6.08
40 (4.44)	TCG	69.40	65.70	61.90	58.00	54.00	49.90	45.70	41.20
	SDT	77.60	86.50	95.40	104.40	113.30	122.20	131.10	139.90
	KW	2.85	3.19	3.58	4.01	4.48	5.00	5.55	6.15
45 (7.22)	TCG	75.80	71.70	67.50	63.30	59.00	54.60	49.90	45.00
	SDT	79.40	88.20	97.10	105.90	114.80	123.60	132.30	140.90
	KW	2.90	3.25	3.64	4.07	4.55	5.06	5.62	6.21
50 (10.00)	TCG	82.50	78.00	73.50	68.90	64.20	59.30	54.30	48.90
	SDT	81.40	90.10	98.80	107.50	116.30	124.90	133.60	142.00
	KW	2.97	3.32	3.71	4.14	4.61	5.12	5.68	6.27
55 (12.78)	TCG	89.40	84.60	79.70	74.70	69.50	64.30	58.70	52.80
	SDT	83.40	92.00	100.60	109.20	117.80	126.40	134.80	143.10
	KW	3.03	3.38	3.78	4.21	4.68	5.19	5.74	6.33

24ABB3C

* ARI listing applies only to systems shown in Combination Ratings table.

KW – Outdoor Unit Kilowatts Only.

SDT – Saturated Temperature Leaving Compressor (°F/°C)

SST – Saturated Temperature Entering Compressor (°F/°C)

TCG – Gross Cooling Capacity (1000 Btuh)

GUIDE SPECIFICATIONS

GENERAL

System Description

Outdoor-mounted, air-cooled, split-system air conditioner unit suitable for ground or rooftop installation. Unit consists of a hermetic compressor, an air-cooled coil, propeller-type condenser fan, and a control box. Unit will discharge supply air upward as shown on contract drawings. Unit will be used in a refrigeration circuit to match up to a packaged fan coil or coil unit.

Quality Assurance

- Unit will be rated in accordance with the latest edition of ARI Standard 210.
- Unit will be certified for capacity and efficiency, and listed in the latest ARI directory.
- Unit construction will comply with latest edition of ANSI/ASHRAE and with NEC.
- Unit will be constructed in accordance with UL standards and will carry the UL label of approval. Unit will have c-UL approval.
- Unit cabinet will be capable of withstanding Federal Test Method Standard No. 141 (Method 6061) 500-hr salt spray test.
- Air-cooled condenser coils will be leak tested at 150 psig and pressure tested at 450 psig.
- Unit constructed in ISO9001 approved facility.

Delivery, Storage, and Handling

- Unit will be shipped as single package only and is stored and handled per unit manufacturer's recommendations.

Warranty (for inclusion by specifying engineer)

- U.S. and Canada only.

PRODUCTS

Equipment

Factory assembled, single piece, air-cooled air conditioner unit. Contained within the unit enclosure is all factory wiring, piping, controls, compressor, refrigerant charge Puron® (R-410A), and special features required prior to field start-up.

Unit Cabinet

- Unit cabinet will be constructed of galvanized steel, bonderized, and coated with a powder coat paint.

AIR-COOLED, SPLIT-SYSTEM AIR CONDITIONER

24ABB3C

1-1/2 TO 5 NOMINAL TONS

Fans

- Condenser fan will be direct-drive propeller type, discharging air upward.
- Condenser fan motors will be totally enclosed, 1-phase type with class B insulation and permanently lubricated bearings. Shafts will be corrosion resistant.
- Fan blades will be statically and dynamically balanced.
- Condenser fan openings will be equipped with coated steel wire safety guards.

Compressor

- Compressor will be hermetically sealed.
- Compressor will be mounted on rubber vibration isolators.

Condenser Coil

- Condenser coil will be air cooled.
- Coil will be constructed of aluminum fins mechanically bonded to copper tubes which are then cleaned, dehydrated, and sealed.
- ArmorPlate coating - Aluminum fin material is pre-coated on both sides with a corrosion protective epoxy phenolic coating.

Refrigeration Components

- Refrigeration circuit components will include liquid-line shutoff valve with sweat connections, vapor-line shutoff valve with sweat connections, system charge of Puron® (R-410A) refrigerant, and compressor oil.
- Unit will be equipped with high-pressure switch, low pressure switch and filter drier for Puron refrigerant.

Operating Characteristics

- The capacity of the unit will meet or exceed _____ Btuh at a suction temperature of _____ °F/°C. The power consumption at full load will not exceed _____ kW.
- Combination of the unit and the evaporator or fan coil unit will have a total net cooling capacity of _____ Btuh or greater at conditions of _____ CFM entering air temperature at the evaporator at _____ °F/°C wet bulb and _____ °F/°C dry bulb, and air entering the unit at _____ °F/°C.
- The system will have a SEER of _____ Btuh/watt or greater at DOE conditions.

Electrical Requirements

- Nominal unit electrical characteristics will be _____ v, single phase, 60 hz. The unit will be capable of satisfactory operation within voltage limits of _____ v to _____ v.
- Unit electrical power will be single point connection.
- Control circuit will be 24v.

Special Features

- Refer to section of this literature identifying accessories and descriptions for specific features and available enhancements.